




MANUFACTURERS MOTOR VEHICLE SPECIFICATIONS

METRIC (U.S. Customary)

1992

Manufacturer SUZUKI MOTOR CORPORATION	Vehicle Line  Geo METRO	
Mailing Address CHEVROLET-PONTIAC-CANADA GROUP ENGINEERING CENTER GENERAL MOTORS CORPORATION 30003 VAN DYKE WARREN, MICHIGAN 48090-9060	Issued SEPTEMBER, 1991	Revised

Direct questions concerning these specifications to the manufacturer listed above.

The information contained herein is prepared, distributed by, and is solely the responsibility of the vehicle manufacturing company to whose products it relates. This specification form was developed by the vehicle manufacturing companies under the auspices of the Motor Vehicle Manufacturers Association of the United States, Inc.

The General Specifications herein are those in effect at date of compilation and are subject to change without notice or incurring obligation by the manufacturer.



Motor Vehicle Manufacturers Association
of the United States, Inc.

Blank Forms Provided by Technical Affairs Division



MVMA Specifications

METRIC (U.S. Customary)

Table of Contents

	1	Vehicle Models/Origin	○	Indicates Format Change From Previous Year
	2	Power Teams		
○	3	Engine		
	4	Lubrication System		
	4	Diesel Information		
	5	Cooling System		
	6	Fuel System		
	7	Vehicle Emission Control		
	7	Exhaust System		
○	8-10	Transmission, Axles and Shafts		
○	11	Suspension		
○	12-13	Brakes, Tires and Wheels		
○	14	Steering		
	15-16	Electrical		
	17	Body — Miscellaneous Information		
○	17	Frame		
	18	Restraint System		
	18	Glass		
	18	Headlamps		
○	19	Climate Control System		
	20-21	Convenience Equipment		
	21	Trailer Towing		
○	22-24	Vehicle Dimensions		
	25	Vehicle Fiducial Marks		
	26	Vehicle Mass (Weight)		
	27	Optional Equipment Differential Mass (Weight)		
○	28-34	Vehicle Dimensions Definitions - Key Sheets		
○	35	Index		

NOTE:

1. This form uses both SI metric units and U.S. Customary units. The metric unit of measure is presented first, and the U.S. Customary unit follows in parentheses.
2. UNLESS OTHERWISE INDICATED:
 - a. Specifications apply to standard models without optional equipment. Significant deviations are noted.
 - b. Nominal design dimensions are used throughout these specifications.
 - c. All linear dimensions are in millimeters (inches), and all mass (weight) specs. are in kilograms (pounds).
3. The General Specifications herein are those in effect at date of compilation and are subject to change without notice or incurring obligation by the manufacturer.
4. Additional Vehicle Dimensions (based in part on SAE J1100 "Motor Vehicle Dimensions") may be available from the manufacturer.

FORM MVMA-92



MVMA Specifications

Vehicle Line Geo METRO
 Model Year 1992 issued 9-91 Revised(*) _____

METRIC (U.S. Customary)

Vehicle Origin

Design & development (company)	Suzuki Motor Corporation
Where built (country)	Japan/Canada
Authorized U.S. Sales marketing representative	Chevrolet/Geo

Vehicle Models

Model Description & Drive (FWD/RWD/AWD/4WD)*	Make, Vehicle Models, Series, Body Type (Mfr's Model Code)	No. of Designated Seating Positions (Front/Rear)	Max. Trunk/Cargo Load-Kilograms (Pounds)	EPA Fuel Economy (City/Hwy)
Geo METRO 2-Door Hatchback Coupe (FWD)	1MR08	2/2	40 (88)	46/50, Man. 36/39, Auto.
2-Door Convertible (FWD)	1MR67	2/0	40 (88)	41/46, Man. 32/38, Auto.
4-Door Hatchback Sedan (FWD)	1MR68	2/2	40 (88)	46/50, Man. 36/39, Auto.
Geo METRO XFI 2-Door Hatchback Coupe (FWD)	1MS08	2/2	40 (88)	53/58, Man.

* FWD - Front Wheel Drive RWD - Rear Wheel Drive AWD - All Wheel Drive 4WD - Four Wheel Drive

MVMA Specifications

Vehicle Line Geo METRO
 Model Year 1992 issued 9-91 Revised(*)

METRIC (U.S. Customary)

Engine Description
 Engine Code

1.0 LITER L3 (61 CID)
 ELECTRONIC FUEL INJECTION RPO LP2

ENGINE - GENERAL

Type & description (inline, V, angle, flat, location, front, mid, rear, transverse, longitudinal, sohc, dohc, ohv, hemi, wedge, pre-chamber, etc.)	Inline, Front, SOHC Transverse	
Manufacturer	Suzuki	
No. of cylinders	3	
Bore	74 mm (2.91 in.)	
Stroke	77 mm (3.03 in.)	
Bore spacing (C/L to C/L)	84 mm (3.31 in.)	
Cyl block matl & mass kg(lbs.)(machined)	Aluminum Alloy, 11.85 (26.12)	
Cylinder block deck height	186.8 mm (7.35 in.)	
Cylinder block length	288 mm (11.34 in.)	
Deck clearance (minimum) (above or below block)	0.4 mm (0.02 in.), Above	
Cyl. head material & mass kg (lbs.)	Aluminum Alloy, 5.12 (11.29)	
Cylinder head volume cu. cm. (cu. in.)	30.2	
Cylinder liner material	Cast Iron	
Head gasket thickness (compressed)	1.2 mm (0.05 in.)	
Minimum combustion chamber total volume cu. cm. (cu. in.)	38.96	
Cyl. no. system (front to rear)*	L. Bank	1-2-3
	R. Bank	---
Firing order	1-3-2	
Intake manifold matl & mass kg(lbs.)**	Aluminum Alloy, 1.66 (3.66)	
Exh. manifold matl & mass kg (lbs.)***	Cast Iron, 3.37 (7.43)	
Knock sensor (number & location)	Not Applicable	
Fuel required unleaded, diesel, etc.	Unleaded	
Fuel antiknock index (R + M) / 2	86 + Octane	
Engine mounts	Quantity	3
	Matl and type (elastomeric, hydroelastic, hydraulic damper, etc.)	Rubber, Elastomeric (M/T Model) Rubber, Hydroelastic (A/T Model)
	Added isolation (sub-frame, crossmember, etc.)	None
Total dressed engine mass (wt) dry***	MT: 61.0 (134.5), AT: 56.5 (124.6)	

Engine - Pistons

Material & mass, g (weight, oz.) - piston only	Aluminum Alloy, 220 g. (7.76 oz.) [230 g. (8.22 oz.) XFi Models]
--	---

Engine Camshaft

Location	Cylinder Head	
Material & mass kg (weight, lbs.)	Cast Iron, 1.24 (2.73)	
Drive type	Chain/belt	Belt
	Width/pitch	19.1/9.525 mm (.75 in.)

*Rear of engine - drive takeoff. View from drive takeoff end to determine left & right side of engine.

**Finished state.

***Dressed engine mass (weight) includes the following:

MVMA Specifications

Vehicle Line Geo METRO
 Model Year 1992 Issued 9-91 Revised(*) _____

METRIC (U.S. Customary)

Engine Description 1.0 LITER L3 (61 CID)
 Engine Code ELECTRONIC FUEL INJECTION RPO LP2

Engine - Valve System

Hydraulic lifters (std., opt., n.a.)	Standard	
Valves	Number intake/exhaust	3/3
	Head O.D. intake/exhaust	35/28 mm (1.38/1.10 in.)

Engine - Connecting Rods

Material & mass kg., (weight, lbs.)*	Forged Steel, 0.415 (0.915), [0.36 (0.794) XFi Models]
Length(axes centerline to centerline)	120 mm (4.72 in.)

Engine - Crankshaft

Material & mass kg., (weight, lbs.)*	Nodular Iron, 6.66 (14.7), [5.90 (13.0) XFi Models]	
End thrust taken by bearing (no.)	2	
Length & number of main bearings	18 mm (0.71 in.) x 4	
Seal(material, one, two piece design, etc.)	Front	One Piece
	Rear	One Piece

Engine - Lubrication System

Normal oil pressure kPa(PSI) @ eng rpm	333 (392) @4,000
Type oil intake (floating, stationary)	Stationary
Oil filter sys. (full flow, part, other)	Full Flow
Capacity of c/case, less filter-refill-L (qt.)	3.1 (3.3)

Engine - Diesel Information

(NOT APPLICABLE)

Diesel engine manufacturer		
Glow plug, current drain at 0 deg. F		
Injector Nozzle	Type	
	Opening pressure kPa(PSI)	
Pre-chamber design		
Fuel injection pump	Manufacturer	
	Type	
Fuel inj. pump drive (belt,chan,gear)		
Supplementary vacuum source (type)		
Fuel heater (yes/no)		
Water separator, description (std., opt.)		
Turbo manufacturer		
Oil cooler-type (oil to engine coolant; oil to ambient air)		
Oil filter		

Engine - Intake System

(NOT APPLICABLE)

Turbo charger - manufacturer	
Super charger - manufacturer	
Intercooler	

* Finished State

MVMA Specifications

Vehicle Line Geo METRO
 Model Year 1992 Issued 8-91 Revised(*) _____

METRIC (U.S. Customary)

Engine Description
 Engine Code

1.0 LITER L3 (61 CID)
 ELECTRONIC FUEL INJECTION RPO LP2

Engine - Cooling System

MANUAL TRANS.

AUTOMATIC TRANS.

Coolant recovery system (std, opt, n.a.)		Standard	
Coolant fill location (rad., bottle)		Bottle	
Radiator cap relief valve pressure kPa (psi)		88.3 (12.8)	
Circulation thermostat	Type (choke, bypass)	Choke	
	Starts to open @ deg's C(F)	88 (190), [92 (198) XFi Models]	
Water Pump	Type (centrifugal, other)	Centrifugal	
	GPM 1000 pump rpm	15	
	Number of pumps	1	
	Drive (V-belt, other)	V Ribbed Belt	
	Bearing type	Ball & Ball	
	Impeller material	Steel	
Housing material		Aluminum Alloy	
By-pass recirculation type (inter., ext.)		External	
Cooling system capacity	With heater - L (qt.)	3.9 (4.1)	4.0 (4.2)
	With air conditioner-L(qt.)	3.9 (4.1)	4.0 (4.2)
	Opt. equip. specify-L(qt.)	---	
Water jackets full length of cyl(yes,no)		Yes	
Water all around cylinder (yes, no)		Yes	
Water jackets open at head face (yes,no)		Yes	
Radiator core	Std., A/C, HD	Standard	
	Type (cross-flow, etc.)	Vertical - Flow	
	Construction (fin & tube mechanical, braze, etc.)	Fin & Tube	
	Matl. mass kg (wgt., lbs.)	Copper & Brass, 2.1(4.6)	3.0 (6.6)
	Width	358 mm (14.09 in.)	328 mm (12.91 in.)
	Height	350 mm (13.78 in.)	325 mm (12.80 in.)
	Thickness	16 mm (0.63 in.)	32 mm (1.26 in.)
Fins per inch		10	
Radiator end tank material		Plastic	
Fan	Std., elec., opt.	Standard, Electric	
	Number of blades & type (flex, solid, material)	4, Solid, Plastic	
	Diameter & projected width	300 mm (11.81 in.)	
	Ratio(fan to crnkshft.rev.)	Not Applicable	
	Fan cutout type	---	
	Drive type (direct, remote)	Direct	
	RPM at idle (elec.)	2,100 rpm	
	Motor rating(wattage)(elec)	80	
	Motor switch (type & location/elec.)	Bimetal Type. On Thermostat Case	
	Switch point (temp./ pressure/elec.)	ON/OFF: 98/93 (208/199)	102/97 (216/207)
Fan shroud (material)		Plastic	Steel

MVMA Specifications

Vehicle Line Geo METRO
 Model Year 1992 Issued 9-91 Revised(*) _____

METRIC (U.S. Customary)

Engine Description

1.0 LITER L3 (61 CID)

Engine Code

ELECTRONIC FUEL INJECTION RPO LP2

Engine - Fuel System

(See supplemental page for details of Fuel Inj, Supercharger, Turbocharger, etc. if used)

Induction type: carburetor, fuel injection system, etc.		Fuel Injection
Manufacturer		NIPPON DENSO CO. LTD.
Carburetor no. of barrels		Not Applicable
Idle A/F mix.		14.6
Fuel Injection	Point of inj. (no.)	Intake Manifold (1)
	Constant, pulse, flow	Not Applicable
	Control (elec., mech.)	Electronic
	Sys. press. kPa (psi)	180 (26)
Idle spd.-rpm (spec. neutral or drive and propane if used)	Manual	800 (Neutral), [700 (Neutral) XFI Models]
	Automatic	850 (Neutral)
Intake manifold heat control (exhaust or water thermostatic or fixed)		Water (Coolant)
Air cleaner type		Replaceable Nonwoven Fabric Element, Single Snorkel
Fuel filter (type/location)		Paper/Fuel Tank Side
Fuel pump	Type (elec. or mech.)	Electric
	Location (eng., tank)	Tank
	Press. range kPa (psi)	180 (26)
	Flow rate at regulated pressure (L (gal)/hr @ kPa (psi))	50 @ 180 (13.2 @ 26)

Fuel Tank

Capacity refill L (gallons)		40 (10.6)
Location (describe)		Under Floor - Rear
Attachment		Bolt
Material & Mass kg (weight lbs.)		Steel, 8.6 (18.9)
Filler pipe	Location & material	Left Side Rear Quarter Panel, Steel
	Connection to tank	Kevlar Reinforced Rubber Hose
Fuel line (material)		Steel
Fuel hose (material)		FKM/CHC/CHC (Main Hose), FKM/NBR/CHC (RTN Hose)
Return line (material)		Steel
Vapor line (material)		Steel
Extended range tank	Opt., n.a.	Not Applicable
	Capacity L (gallons)	"
	Location & material	"
	Attachment	"
Auxiliary tank	Opt., n.a.	Not Applicable
	Capacity L (gallons)	"
	Location & material	"
	Attachment	"
	Slctr switch or valve	"
	Separate fill	"

MVMA Specifications

Vehicle Line Geo METRO
 Model Year 1992 Issued 9-91 Revised(*) _____

METRIC (U.S. Customary)

Engine Description
 Engine Code

1.0 LITER L3 (61 CID)
 ELECTRONIC FUEL INJECTION RPO LP2

Vehicle Emission Control

Exhaust Emission Control	Type (air injection, engine modifications, other)		Feedback Fuel Injection + 3 Way Catalyst + EGR
	Air injection	Pump or pulse	Not Applicable
		Driven by	"
		Air distribution (head, manifold, etc.)	"
		Point of entry	"
	Exhaust Gas Recirculation	Type (controlled flow, open orifice, other)	Backpressure Controlled
		Exhaust source	
	Catalytic Converter	Point of exh.inj. (spacer, carb., manifold, other)	Manifold
		Type	Single Bed
		Number of	1
Location(s)		Under Floor	
Volume L (cu.in)		0.95 (58.0)	
Substrate type		Monolith	
Noble metal type		Platinum (Pt), Rhodium (Rh)	
Crankcase Emission Control	Type (ventilates to atmosphere, induction system, other)		Induction System
	Energy source (manifold vacuum, carburetor, other)		Manifold Vacuum
	Discharges to (intake manifold, other)		Intake Manifold
	Air inlt(breather cap, other)		Air Cleaner
Evaporative Emission Control	Vapor vented to (crankcase, canister, other)	Fuel tank	Canister
		Carburetor	---
Vapor storage provision		Canister	
Electronic System	Closed loop (yes/no)		Yes
	Open loop (yes/no)		No

Engine - Exhaust System

Type (single, single with cross-over, dual, other)		Single
Muffler no. & type (reverse flow, straight thru, separate resonator) Material & Mass kg (weight lbs.)		2. Straight Thru.
Resonator no. & type		1. Straight Thru.
Exhaust pipe	Branch o.d., wall thickness	Not Applicable
	Main o.d., wall thickness	48.6-1.6/38.1-1.2 mm
	Matl. & Mass kg (wght.lbs.)	Inner: Stainless Steel, Outer: Aluminum Coated Steel
Inter-mediate pipe	o.d. & wall thickness	45.0-1.6/35.0-1.2 mm
	Matl. & Mass kg (wght.lbs.)	Inner: Stainless Steel, Outer: Aluminum Coated Steel
Tail pipe	o.d. & wall thickness	38.1-1.2 mm
	Matl. & Mass kg (wght.lbs.)	Aluminum Coated Steel

MVMA Specifications

Vehicle Line Geo METRO
 Model Year 1992 Issued 9-91 Revised(*) _____

METRIC (U.S. Customary)

Engine Description
 Engine Code

1.0 LITER L3 (61 CID)
 ELECTRONIC FUEL INJECTION RPO LP2

○ Transmissions/Transaxle (Std., Opt., N.A.)

Manual 4-speed (manufacturer/country)	Not Applicable
Manual 5-speed (manufacturer/country)	Standard, Suzuki Motor Corporation/Japan
Manual 6-speed (manufacturer/country)	Not Applicable
Automatic (manufacturer/country)	AISIN SEIKI/JAPAN
Auto. overdrive (manufacturer/country)	Not Applicable

Manual Transmission/Transaxle

Number of forward speeds	5	
○ Gear ratios	1st	3.42
	2nd	1.89
	3rd	1.28
	4th	0.91
	5th	0.76
	6th	-
	Reverse	3.27
Synchronous meshing (specify gears)	All Forward Gears	
Shift lever location	Floor Mounted	
Trans. case mat'l. & mass kg (lbs)*	Aluminum Die-Cast, 7.7 (16.9)	
Lubricant	Capacity L (pt.)	2.4 (5.1)
	Type recommended	Hypoid Gear Oil

Clutch (Manual Transmission)

Clutch manufacturer	DCC (Canada)	
Clutch type (dry, wet; single, multiple disc)	Dry, Single	
Linkage (hyd., cable, rod, lever, other)	Cable	
Max. pedal effort (nom. spring load) N (lbs.)	Depressed	78 (17.5)
	Released	50 (11.2)
Assist (spring, power/percent, nominal)	Nominal	
Type pressure plate springs	Diaphragm	
Total spring load (nominal) N (lbs.)	2,550 (573.3)	
Clutch facing	Facing mfr. & matl. coding	F.C.C. Co., LTD.
	Facing matl. & construction	Semi-Mold
	Rivets per facing	16
	Outside x inside dia. (nom.)	170 x 110 mm (6.69 x 4.33 in.)
	Total eff. area sq cm (sq in)	132 (20.5)
	Thickness (pressure plate side/fly wheel side)	3.0/3.0 mm (0.12/0.12 in.)
	Rivet depth (pressure plate side/fly wheel side)	Min. 0.9/0.9 mm (0.04/0.04 in.)
Engagement cushion method	Separate Cushion Type	
Release bearing type & method lub.	Automatic Center Adjusting Type With Grease Lubrication	
Torsional damping method, springs, hysteresis	Springs	

* Includes shift linkage, lubricant, and clutch housing. If other specify.

MVMA Specifications

Vehicle Line Geo METRO
 Model Year 1992 Issued 9-91 Revised(*)

METRIC (U.S. Customary)

Engine Description
 Engine Code

1.0 LITER L3 (61 CID)
 ELECTRONIC FUEL INJECTION RPO LP2

Automatic Transmission/Transaxle

Trade Name		3-Speed Automatic
Type and special features (describe)		Torque Converter With Planetary Gears
Gear selector	Location (column, floor, other)	Floor Mounted On Console
	Ltr./No. designation (e.g. PRND21)	P-R-N-D-2-L
	Shift interlock (yes, no, describe)	Yes
Gear ratios	1st	2.81
	2nd	1.55
	3rd	1.00
	4th	Not Applicable
	5th	
	6th	
	Reverse	2.30
Max. upshift speed - drive range km/h (mph)		1 - 2: 52 (32.3) 2 - 3: 97 (60.3)
Max. kickdown speed - drive range km/h (mph)		2 - 1: 37 (23.0) 3 - 2: 82 (50.9)
Min. overdrive speed km/h (mph)		Not Applicable
Torque converter	Number of elements	3
	Max. ratio at stall	2.1
	Type of cooling (air, liquid)	Liquid
	Nominal diameter	210 mm (8.27 in.)
	Capacity factor "K"	1.2 x 10 ⁻⁶
Lubricant	Capacity refill L (pt.)	4.9 (10.4)
	Type recommended	DEXRON II
Oil cooler (std., opt., N.A., internal, external, air, liquid)		Standard, Integral With Radiator
Trans. mass kg. (lbs) & case matl.**		Aluminum Die-Cast, 51 (112.4)

All Wheel / 4 Wheel Drive

(NOT APPLICABLE)

Desc. & type (part-time, full-time, 2/4 shift while moving, mech., elect., chain/gear, etc.)		
Transfer case	Manufacturer and model	
	Type and location	
Low-range gear ratio		
System disconnect (describe)		
Center differential	Type (bevel, planetary, w or w/o viscous bias, torsen, etc.)	
	Torque split (% frt/rear)	

* Input speed / square root of torque.
 ** Dry weight including torque converter. If other, specify.

MVMA Specifications

Vehicle Line Geo METRO
 Model Year 1992 Issued 9-91 Revised(*) _____

METRIC (U.S. Customary)

Engine Description	1.0 LITER L3 (61 CID)
Engine Code	ELECTRONIC FUEL INJECTION RPO LP2

Axle Ratio and Tooth Combinations (See 'Power Teams' for axle ratio usage)

Effec. final drv. ratio (or overall top gear ratio)		Final Gear - 3.94, AT	4.10, MT
Trnsfr ratio and method(chain,gear,etc)		Not Available	
Front drive unit	Ring gear o.d.	188.12 mm (7.40 in.), AT	184.7 mm (7.27 in.), MT
	No. of teeth	Pinion	19, AT
		Ring gear	75

Front Drive Unit

Description (integral to trans., etc.)		Front Differential With Helical Gears And Ball Bearing
Limited slip differential (type)		None
Drive pinion	Type	Helical Gear
	Offset	Not Applicable
No. of differential pinions		2
Pinion/differential	Adjustment (shim, etc.)	Shim
	Bearing adjustment	Not Applicable
Driving wheel bearing (type)		Ball Bearing
Lubricant	Capacity L (pt.)	Not Applicable
	Type recommended	Automatic Transmission Fluid

Axle Shafts - Front Wheel Drive

Manufacturer and number used		NTN Corporation		
Type (straight, solid bar, tubular, etc.)		Left	Solid Bar	
		Right	Solid Bar	
Outer diam. x length* x wall thickness	Manual transaxle	Left	22 x 455.7 (0.87 x 17.94 in.)	
		Right	22 x 546.5 (0.87 x 21.52 in.)	
	Automatic transaxle	Left	19.4 x 410.1 mm (0.76 x 16.15 in.)	
		Right	19.4 x 591.6 mm (0.76 x 23.29 in.)	
	Optional transaxle	Left	None	
		Right	None	
Slip yoke	Type	None		
	Number of teeth	"		
	Spline o.d.	"		
Universal joints	Make and mfg. no.	Inner	NTN Corporation	
		Outer	"	
	Number used	4		
	Type, size, plunge	Inner	Tripod, TJ75	
		Outer	Rzeppa, BJ75	
	Attach (u-bolt, clamp, etc.)		Serration	
	Bearing	Type (plain, anti-friction)	Anti-Friction	
Lubrication (fitting, prepack)		Prepacked		
Drive taken through (torque tube, arms or springs)		Lower - Control Arm, Upper - MacPherson Strut		
Torque taken through (torque tube, arms or springs)		Engine Mounting System		

* Centerline to centerline of universal joints, or to centerline of attachment.

MVMA Specifications

METRIC (U.S. Customary)

Vehicle Line Geo METRO
 Model Year 1992 Issued 9-91 Revised(*)

Body Type And/Or
 Engine Displacement

COUPE SEDAN CONVERTIBLE

Suspension - General Including Electronic Controls

Car leveling	Std./opt./not avail.	Not Applicable	
	Manual/automatic control		
	Type (air/hydraulic)		
	Primary/assist spring		
	Rear only/4 wheel leveling		
	Single/dual rate spring		
	Single/dual ride heights		
	Provision for jacking		
Shock absorber damping controls	Standard/option/not avail.	Not Applicable	
	Manual/automatic control		
	Number of damping rates		
	Type of actuation (manual/electric motor/air, etc.)		
	s e n s o r s	Lateral acceleration	
		Deceleration	
Acceleration			
Road surface			
Shock absorber (front & rear)	Type	Front: MacPherson, Rear: MacPherson, Double Acting Hydraulic	
	Make	Front: SHOWA, Rear: TOKICO	
	Piston diameter	Front: 25 mm (0.984 in.), Rear: 25 mm (0.984 in.)	
	Rod diameter	Front: 18 mm (0.71 in.), Rear: 18 mm (0.71 in.)	

Suspension - Front

Type and description		MacPherson Strut With Coil Spring	
Travel	Full jounce (define load condition)	100 mm	
	Full rebound	50 mm (1.97 in.)	
Spring	Type (coil, leaf, other & matl)	Coil, Steel	
	Insulators (type & matl)	Rubber (Top Only)	
	Size (Leaf: length & width; Coil: design height & i.d.; Bar: length & diameter)	301 x 125.6 mm	309.5 x 125.5 mm
	Spring rate N/mm (lb./in.)	17.2	
	Rate @ wheel N/mm (lb./in.)	17.2	
Stabilizer	Type (link, linkless, frmless)	Not Applicable	
	Material & O.D. bar/tube, wall thickness		

Suspension - Rear

Type and description		MacPherson Strut, Separate Coil Spring	
Travel	Full jounce (define load condition)	120 mm	
	Full rebound	50 mm (1.97 in.)	
Spring	Type (coil, leaf, other & matl)	Coil, SUP 7 or SUP 12V	
	Size (Leaf: length & width; Coil: design height & i.d.; Bar: length & diameter)	258 x 95 mm	262 x 95 mm 258 x 95 mm
	Spring rate [N/mm (lb/in)]	45.1 (257.5)	
	Rate @ wheel [N/mm (lb/in)]	17.6 (100.5)	
	Insulators (type & material)	Rubber	
	If leaf	No. of leaves	Not Applicable
Shackle (comp or tens)		"	
Stabilizer	Type (lnk, lnkless, frmless)	None	
	Material & O.D. bar/tube, wall thickness		
Track bar (type)		"	

MVMA Specifications

METRIC (U.S. Customary)

Vehicle Line Geo METRO
 Model Year 1992 Issued 9-91 Revised(*) _____

Model Code/Description And/Or
 Engine Code/Description
 Brakes - Service

COUPE & SEDAN
 CONVERTIBLE

Description		Hydraulic, Front - Floating Caliper Type. Rear - Leading Trailing Shoe Type			
Manufacturer and brake type (std., opt., n.a.)	Front (disc or drum)	AISIN SEIKI, Disc			
	Rear (disc or drum)	NISHINBO, Drum			
Valving type(prop, delay, metering, other)		Proportion			
Power brake (std., opt., n.a.)		Standard			
Booster type(rmt, intrl, vac., hyd., etc.)		Vacuum			
Vacuum	Source (inline, pump, etc.)	Inline (Intake Manifold)			
	Reservoir (volume cu. in.)	Not Applicable			
	Pump-type	"			
O Traction Control	Operational speed range	"			
	Type (engine or brake intervention)				
Antilock device	Front/rear (std., opt., n.a.)	"			
	Manufacturer	"			
	Type (electronic, mech.)	"			
	Number sensors or circuits	"			
	No. antilock hyd. circuits	"			
	Integral or add-on system	"			
	Yaw control (yes, no)	"			
Hydraulic power source		"			
Effective area sq. cm. (sq. in.)*		143/172 (22.2/26.7)	136/172 (21.1/26.7)		
Gross Lng area sq. cm. (sq. in.)**(F/R)		148/172 (22.9/26.7)	139/172 (21.5/26.7)		
Swept area sq. cm. (sq. in.)**(F/R)		869/282 (134.7/43.7)	902/282 (139.8/43.7)		
Rotor	Outer working diameter	F/R	213/---mm (8.39 in.)	229/--mm (0.92 in.)	
	Inner working diameter	F/R	130/-- mm (5.12 in.)	154/--mm (6.06 in.)	
	Thickness	F/R	10/-- mm (0.39 in.)	17/--mm (0.67 in.)	
	Matl & type (vented/std)	F/R	Cast Iron, Solid	Cast Iron, Vented	
Drum	Diameter & width	F/R	---/180 x 25 mm (---/7.09 x 0.98 in.)		
	Type and material	F/R	---/Cast Iron		
Wheel cylinder bore		48.1/15.8 mm (1.89/0.62 in.)			
Master cylinder	Bore/stroke	F/R	20.6/28.5 mm (0.81/1.12 in.)		
Pedal arc ratio		4.1 : 1			
Line pressure at 445 N (100 lb.) pedal load kPa (psi)		---			
Lining clearance		F/R	Self-Adjusting/Self-Adjusting		
Brake lining	Front wheel	Bonded or riveted		Bonded	
		Rivet size		Not Applicable	
		Manufacturer		AKEBONO BRAKE INDUSTRY	
		Lining code *****		AK V3016 EE	
		Material		Resin Mold Including Metal	
		****	Pri. or out-brd	103x40x10 mm (4.06x1.57x0.39 in.)	105x37.5x10mm (4.13x1.48x0.39 in)
		Size	Sec. or in-brd	104x40x10 mm (4.09x1.57x0.39 in.)	
	Shoe thcknss.(no lng)		5 mm (0.20 in.)		
	Rear wheel	Bonded or riveted		Bonded	
		Manufacturer		NISSHIN SPINNING	
		Lining code *****		NBK D9007 FF	
		Material		Resin Mold	
		****	Pri. or out-brd	172.7 x 25 x 4.3 mm (6.80 x 0.98 x 0.17 in.)	
		Size	Sec. or in-brd	172.7 x 25 x 4.3 mm (6.80 x 0.98 x 0.17 in.)	
Shoe thcknss (no lng)		1.8 mm (0.07 in.)			

* Excludes rivet holes, grooves, chamfers, etc. **Includes rivet holes, grooves, chamfers, etc.
 *** Total swept area for four brakes. (Drum brake: Widest lining contact width for each brake x its contact circum.)
 (Disc brake: Square of Outer Working Dia. - Square of Inner Working Dia. X Pi/2 for each brake.)
 **** Size for drum brakes includes length x width x thickness.
 ***** Manufacturer I.D., catalog for formulation designation and coefficient of friction classification.

MVMA Specifications

Vehicle Line Geo METRO
 Model Year 1992 Issued 9-91 Revised(*) _____

METRIC (U.S. Customary)

Model Code/Description And/Or
 Engine Code/Description

COUPE & SEDAN

CONVERTIBLE

Tires And Wheels (Standard)

Tires	Size (load range, ply)		P145/80R12	P165/65R13
	Type (bias, radial, etc.)		Radial	
	Inflation pressure (cold) for recommended max. vehicle load	Front kPa (psi)	220	180
		Rear kPa (psi)	220	180
	Rev/mile-at 70 km/h(45mph)		985	978
Wheels	Type & material		5 deg. Drop Center Rim Contours, Steel	
	Rim (size & flange type)		12 x 4.00B	13 x 4.50J
	Wheel offset		45	
	Attachment	Type (bolt, stud)	Stud	
		Circle diameter	114.3	
Number & size		4 - M10	4-M12	
Spare	Tire and wheel		T105/80D13, 13 x 4T	T115/70D14, 14 x 4T
	Storage position & location (describe)		Flat Under Rear Load Floor	

Tires And Wheels (Optional)

(NOT APPLICABLE)

Tire size (load range, ply)	
Type (bias, radial, steel, nylon, etc.)	
Wheel (type & material)	
Rim (size, flange type and offset)	
Tire size (load range, ply)	
Type (bias, radial, steel, nylon, etc.)	
Wheel (type & material)	
Rim (size, flange type and offset)	
Tire size (load range, ply)	
Type (bias, radial, steel, nylon, etc.)	
Wheel (type & material)	
Rim (size, flange type and offset)	
Tire size (load range, ply)	
Type (bias, radial, steel, nylon, etc.)	
Wheel (type & material)	
Rim (size, flange type and offset)	
Spare tire and wheel size	
(if configuration is different than road tire or wheel, describe optional spare tire and/or wheel location & storage position)	

Brakes - Parking

Type of control	Lever - Hand Operated	
Location of control	Between Front Seat	
Operates on	Rear Service Brakes	
If separate from service brakes	Type (internal or external)	Not Applicable
	Drum diameter	"
	Lining size (length x width x thickness)	"

MVMA Specifications

Vehicle Line Geo METRO
 Model Year 1992 Issued 9-91 Revised(*) _____

METRIC (U.S. Customary)

Model Code/Description And/Or
 Engine Code/Description

COUPE	SEDAN	CONVERTIBLE
-------	-------	-------------

Steering

Manual (std., opt., n.a.)		Standard		
Power (std., opt., n.a.)		Not Applicable		
○ Speed-sensitive (std., opt., n.a.)		Not Applicable		
○ 4-wheel steering (std., opt., n.a.)		Not Applicable		
Adjustable steering wheel/column (tilt, telescope, other)	Type	"		
	Manufacturer (std., opt., n.a.)	"		
		"		
Wheel diameter ** (W8) SAE J1100	Manual	375 mm (14.76 in.)		
	Power	Not Applicable		
Turning diameter m (ft.)	Out-side front	Wall to wall (l. & r.)	10.0 (32.8) 10.4 (34.1) 10.0 (32.8)	
		Curb to curb (l. & r.)	9.2 (30.2) 9.6 (31.5) 9.2 (30.2)	
	In-side rear	Wall to wall (l. & r.)	Not Applicable	
		Curb to curb (l. & r.)	"	
Scrub Radius *		-1		
Manual	Gear	Type	Rack And Pinion	
		Manufacturer	Suzuki Motor Corporation	
		Ratios	Gear Overall	Not Applicable 18:1
	No. wheel turns(stop to stop)	3.6		
	Type (coaxial, elec. hyd., etc.)	Not Applicable		
Power	Gear	Manufacturer	"	
		Type	"	
		Ratios	Gear Overall	" "
	Pump (drive)	"		
	No. wheel turns(stop to stop)	"		
	Type	Not Applicable		
Linkage	Location (front or rear of wheels, other)			
	Tie Rods (one or two)		2	
Steering axis	Inclination at camber (deg.)		25.7 23.9	
	Bear-ings (type)	Upper	Ball Bearing	
		Lower	Rubber Bushing	
		Thrust	Not Applicable	
Steering spindle/knuckle & joint type		Serrated Shaft		

* The horizontal distance in the front elevation between wheel centerline and kingpin (ball joint) axis at ground.
 ** See Page 22.

MVMA Specifications

Vehicle Line Geo METRO
 Model Year 1992 Issued 9-91 Revised(*) _____

METRIC (U.S. Customary)

Model Code/Description And/Or
 Engine Code/Description

ALL

Wheel Alignment

Wheel Position	Service Category	Parameter	Value
Front wheel at curb mass (wt.)	Service checking	Caster (deg.)	3
		Camber (deg.)	0
		Toe-in outside track - mm (in.)	0
	Service reset*	Caster (deg.)	Not Adjustable
		Camber (deg.)	"
		Toe-in - mm(in.)	Adjustable
	Periodic M.V. in-spection	Caster (deg.)	3 (+/-) 2
		Camber (deg.)	0 (+/-) 1
		Toe-in - mm(in.)	0 (+/-) 2 mm
Rear wheel at curb mass (wt.)	Service checking	Camber (deg.)	0
		Toe-in outside track - mm (in.)	2mm
	Service reset*	Camber (deg.)	Not Adjustable
		Toe-in - mm(in.)	Adjustable
	Periodic M.V. in-spection	Camber (deg.)	0 (+/-) 1
		Toe-in - mm(in.)	2 (+/-) 2 mm

* Indicates pre-set, adjustable, trend set or other.

Electrical - Instruments and Equipment

Speedometer	Type (analog, digital, std., opt.)	Analog
	Trp odometer (std., opt., n.a.)	Optional (Standard On Up-Level Model)
Head-up display	Std., opt., not avail.	Not Available
	Type - Secondary, Opto-electronic	
	Speedometer	Digital
	Status/warn. indicators - Turn signals, high beam, low fuel, check gauges	
	Brightness control	Day/night mode, adj.
EGR maintenance indicator	Type	None
Charge indicator	Type	Not Applicable
	Warning device (light, audible)	Tell-Tale Warning Light
Temperature indicator	Type	Analog Gauge With Pointer
	Warning device	None
Oil pressure indicator	Type	Not Applicable
	Warning device	Tell-Tale Warning Light
Fuel indicator	Type	Analog Gauge With Pointer
	Warning device	None
Windshield wiper	Type (standard)	Electric 2-Speed
	Type (optional)	Intermittent
	Blade length	Dr: 500 mm (19.68 in.), AS: 450 mm (17.72 in.)
	Swept area - sq cm (sq in)	6,161 (955)
Windshield washer	Type (standard)	Electric, Push-Button On Instrument Panel
	Type (optional)	None
	Fluid level indicator	None
Rear window wiper, wiper/washer (std., opt., n.a.)		Optional
Horn	Type	Electric Resonator
	Number used	1
Other		Service & Parking Brake Failure Warning Light, Seat Belt Warning Light And Buzzer, Headlamp High Beam Indicating Light, Check Engine Indicating Light, Turn Signal Indicating Light, Shift-Up Indicator (M/T), Tachometer (Convertible Models)

MVMA Specifications

Vehicle Line Geo METRO
 Model Year 1992 Issued 9-91 Revised(*)

METRIC (U.S. Customary)

Engine Code/Description

1.0 LITER L3 (61 CID)
 ELECTRONIC FUEL INJECTION RPO LP2

Electrical - Supply System

MANUAL TRANS.

AUTOMATIC TRANS.

Battery	Manufacturer	FURUKAWA BATTERY CO., LTD./DELCO REMY, DELCO REMY*	
	Model, std., (opt.)	55B24R-MF (55B24S-MF)/1982035, 52361590*	
	Voltage	12	
	Amps at 0 deg F cold crnk	400	
	Minutes-reserve capacity	70	
	Amps/hrs. - 20 hr. rate	45	
Location		Left Hand Side Of Engine Compartment	
Alternator	Manufacturer	NIPPON DENSO, MITSUBISHI ELECTRIC*	
	Rating (idle/max. rpm)	50 A (2,500 rpm), 55A (2,500 rpm)*	
	Ratio (alt. crank/rev.)	2.36:1	
	Output at idle (rpm, park)	18 A (750 rpm)/25A (750 rpm)*	23 A (850 rpm)
Optional (type & rating)		None	31 A (850 rpm)*
Regulator	Type	Integral With Alternator	

Electrical - Starting System

Motor	Manufacturer	NIPPON DENSO, MITSUBISHI ELECTRIC*		
	Current drain deg C (F)	200 A		
	Power rating kw (hp)	0.8 (1.1)	1.0(1.3)1.2(1.6)*	
Motor drive	Engagement type	Positive Shift Solenoid		
	Pinion engages from (front, rear)	Front		

Electrical - Ignition System

Type	Electronic (std, opt, n.a.)	Standard		
	Other (specify)	High Energy Ignition		
Coil	Manufacturer	NIPPON DENSO		
	Model	---		
	Current	Engine stopped - A	0	
		Engine idling - A	1.5 A	
Spark plug	Manufacturer	NGK	ND	AC
	Model	BPR6ES-11 W20EPR-U11 R42XLS		
	Thread (mm)	14		
	Tightening torque Newton meters (lb. ft.)	24.5		
	Gap	1.1 mm (0.04 in.)		
Distributor	Number per cylinder	1		
	Manufacturer	NIPPON DENSO		
Model		---		

Electrical - Suppression

Locations & type	Internal Alternator Capacitor, Resistor High-Tension Ignition Cables, Resistor Spark Plugs, Ignition Coil By-Pass Capacitor, Flame Spraying Rotor Distributor
------------------	---

Note: * Indicates CAMI Production

MVMA Specifications

Vehicle Line Geo METRO
 Model Year 1992 Issued 9-91 Revised(*) _____

METRIC (U.S. Customary)

Model Code/Description	COUPE	SEDAN	CONVERTIBLE
------------------------	-------	-------	-------------

Body

Structure	Unitized Frame
Bumper System Front - Rear	<ol style="list-style-type: none"> 1. JAPAN BUILT VEHICLE - Front And Rear Bumper Systems Are Composed Of Energy Absorption Formed Polypropylene, Steel Member And Polypropylene Cover. 2. CANADA BUILT VEHICLE - Front Bumper Construction Is Same As The One For Japan Built Vehicle. Rear Bumper System Is Composed Of Energy Absorption Polypropylene With Glass Fiber And Polypropylene Cover.
Anti-Corrosion Treatment	<ol style="list-style-type: none"> 1. Use Of Surface Treated Steel In Major Body Components 2. Application Of Vinyl Chloride Coating To Floor Bottom & Side Sill Outer 3. Application Of Corrosion Protection Oil To Side Sill Inner Surface

Body - Miscellaneous Information

Type of finish (lacquer, enamel, other)	Enamel		
Hood	Material & mass	Steel	
	Hinge location (front, rear)	Rear	
	Type (counterbalance, prop)	Prop	
	Release control (int., ext.)	Internal And External	
Trunk lid	Material & mass	Not Applicable	
	Type (counterbalance, other)	"	
Hatch-back lid	Material & mass	Steel	
	Type (counterbalance, other)	Gas Dumper Stay	
	Internal release control (elec., mech., n.a.)	Mechanical	
Tailgate	Material & mass	Not Applicable	
	Type (drop, lift, door)	"	
	Internal release control (elec., mech., n.a.)	"	
Vent window control (crank, friction, pivot, power)	Front	Not Applicable	
	Rear	Pivot	Not Applicable Not Applicable
Window regulator type (cable, tape, flex drive, etc.)	Front	X Arm	
	Rear	Not Applicable	Cable
Seat cushion type (e.g., 60/40, bucket, bench wire, foam, etc.)	Front	Bucket Type, Steel Plate Press Frame, Urethane Mold	
	Rear	Bench Type, Steel Wire Frame, Urethane Mold	Not Applicable
	3rd seat	Not Applicable	
Seat back type (e.g., 60/40, bucket, bench, wire, foam, etc.)	Front	Bucket Type, Steel Tube And Press Frame, Urethane Mold	
	Rear	Bench Type, Steel Tube And Press Frame, Urethane Mold	Not Applicable
	3rd seat	Not Applicable	

○ Frame

Type and description (separate frame, unitized frame, partially-unitized frame)	Unitized Frame.
---	-----------------

MVMA Specifications

Vehicle Line Geo METRO
 Model Year 1992 Issued 9-91 Revised(*)

METRIC (U.S. Customary)

Model Code/Description

COUPE

SEDAN

Restraint System

Seating Position			Left	Center	Right
Active	Type & description (lap & shoulder belt, lap belt, etc.)	First seat			
		Second seat	Lap & Shoulder Belt, ELR-ALR, Standard		Lap & Shoulder Belt, ELR-ALR, Standard
	Standard/optional	Third seat			
Passive	Type & description (air bag, motorized-2-point belt, fixed belt, knee bolster, manual-lap belt)	First seat	3-Point Fixed Belt, Std.		3-Point Fixed Belt, Standard
		Second seat			
	Standard/optional	Third seat			

Glass		SAE Ref No	COUPE	SEDAN
Windshield glass exposed surface area sq. cm. (sq. in.)	S1	8,281 (1,284)	8,620 (1,336)	
Side glass exposed surface area sq. cm. (sq. in.) - total 2-sides	S2	12,384 (1,920)	13,166 (2,041)	
Backlight glass exposed surface area sq. cm. (sq. in.)	S3	4,071 (631)	3,882 (602)	
Total glass exposed surface area sq. cm. (sq. in.)	S4	24,736 (3,834)	25,668 (3,979)	
Windshield glass (type)		Laminated Glass		
Side glass (type)		Tempered Glass		
Backlight glass (type)		Tempered Glass		

Headlamps

Description - sealed beam, halogen, replaceable bulb, etc.	Halogen, Replaceable Bulb
Shape	Rectangular (Base Model), Flush (Up-Level Model)
Lo-beam type (2A1, 2B1, 2C1, etc.)	2E1 (Base Model), Flush (Up-Level Model)
Quantity	2
Hi-beam type (1A1, 2A1, 1C1, 2C1, etc.)	2E1 (Base Model), Flush (Up-Level Model)
Quantity	2

MVMA Specifications

Vehicle Line Geo METRO
 Model Year 1992 Issued 9-91 Revised(*) _____

METRIC (U.S. Customary)

Model Code/Description

2-DOOR CONVERTIBLE

Restraint System

Seating Position		Left	Center	Right
Active	Type & description (lap & shoulder belt, lap belt, etc.)	First seat 3-Point Lap And Shoulder Belt		3-Point Lap And Shoulder Belt
		Second seat		
	Standard/optional	Third seat		
Passive	Type & description (air bag, motorized-2-point belt, fixed belt, knee bolster, manual-lap belt)	First seat Supplemental Inflatable Restraint		
		Second seat		
	Standard/optional	Third seat		

Glass

	SAE Ref No	
Windshield glass exposed surface area sq. cm. (sq. in.)	S1	8,281 (1,284)
Side glass exposed surface area sq. cm. (sq. in.) - total 2-sides	S2	6,512 (1,010)
Backlight glass exposed surface area sq. cm. (sq. in.)	S3	
Total glass exposed surface area sq. cm. (sq. in.)	S4	
Windshield glass (type)		Laminated Glass
Side glass (type)		Tempered Glass
Backlight glass (type)		Vinyl Film

Headlamps

Description - sealed beam, halogen, replaceable bulb, etc.	Halogen, Replaceable Bulb
Shape	Composite
Lo-beam type (2A1, 2B1, 2C1, etc.)	
Quantity	2
Hi-beam type (1A1, 2A1, 1C1, 2C1, etc.)	
Quantity	2

MVMA Specifications

Vehicle Line Geo METRO
 Model Year 1992 Issued 9-91 Revised

METRIC (U.S. Customary)

Engine Code/Description

ALL

o Climate Control System

Air conditioning (std., opt., man., auto.)		Optional, Manual
Condenser	Type	Corrugated Fin
	Eff. face area (sq. mm.)	127,400
	Fins per inch	8.5
Evaporator	Type	Single Tank Laminated
	Eff. face area (sq. mm.)	44,120
	Fins per inch	7.3
Heater Core	Material	Copper
	Eff. face area (sq. mm.)	24,990
	Fins per inch	12.7
Compressor	Type	Swash
	Displacement (cc)	81.6
	Manufacturer	Nippon Denso Co., Ltd.
	A/C pulley ratio	1.4
Accumulator	Type	Not Applicable
	Height (mm.)	"
	Diameter (mm.)	"
Receiver	Type	Dryer, Sight Glass, Safety Device
	Height (mm.)	167
	Diameter (mm.)	60
Refrigerant control (CCOT, TVS, etc.)		Thermostatic Expansion Valve
Heater water valve (yes / no)		No
Refrigerant (R - 12, R - 134a, etc.)		R-12
Charge level (lbs. - oz.)		1.1 lbs.
Cold engine lockout switch (yes / no)		No
Wide open throttle cutout switch (yes / no)		No

MVMA Specifications

Vehicle Line Geo METRO
 Model Year 1992 Issued 9-91 Revised(*) _____

METRIC (U.S. Customary)

Model Code/Description

ALL

Convenience Equipment (standard, optional, n.a.)

	Clock (digital, analog)	Optional, Digital, Integral With Radio
	Compass / thermometer	Not Applicable
	Console (floor, overhead)	Optional, Floor
	Defroster, elec. backlight	Optional
Electronic	Diagnostic monitor (integrated, individual)	Not Applicable
	Instrument cluster (list instruments)	Not Applicable
	Keyless entry	Not Applicable
	Tripminder (avg. spd, fuel)	Not Applicable
	Voice alert (list items)	Not Applicable
	Other	
	Fuel door lock (remote, key, electric)	Not Applicable
Lamps	Auto head on/off delay, dimming	Not Applicable
	Cornering	"
	Courtesy (map, reading)	"
	Door lock, ignition	"
	Engine compartment	"
	Fog	"
	Glove compartment	"
	Trunk	"
	Illuminated entry system (list lamps, activation)	"
	Other	"
Mirrors	Day / night (auto, man.)	Manual
	L.H. (remote, pwr., heated)	Remote
	R.H. (convex, rmt, pwr, htd)	Convex
	Visor vanity (RH/LH illum.)	Optional, RH
	Navigation system (describe)	Not Applicable
	Prkg. brake-auto release (warn. light)	Not Applicable

MVMA Specifications

Vehicle Line Geo METRO
 Model Year 1992 Issued 9-91 Revised(*)

METRIC (U.S. Customary)

Model Code/Description

ALL

Convenience Equipment (standard, optional, n.a.)

Power equipment	Deck lid(release, pull down)		Not Applicable
	Door locks (manual, auto., describe system)		"
	Seats	2 - 4 - 6 way, etc.	"
		Reclining(R.H., L.H.)	"
		Memory (R.H., L.H., preset, recline)	"
		Support (lumbar, hip, thigh, etc.)	"
		Heated (R.H., L.H., other)	"
	Side windows		"
	Vent windows		"
	Rear windows		"
Radio systems	Antenna (location, whip, w/shield, power)		Left Front Pillar, Whip (Right Fender - Convertible)
	Stan.	AM, FM, stereo, tape, compact disc, graphic equalizer, theft deterrent, radio prep package, headphone jacks, etc.	Antenna Only
	Opt.		AM/FM Stereo AM/FM Stereo With Cassette
	Speaker (number, location)		Optional 2: I.P. Mounted, 2: Back Door Trim (Qtr. Tie Member - Convertible)
Roof: open air or fixed (flip-up, sliding, T)			Not Applicable
Speed control device			"
Speed warn. dev. (light, buzzer, etc.)			"
Tachometer (rpm)			Standard (Convertible Only)
Telephone system (describe)			Not Applicable
Theft deterrent system			Steering Lock Type

Trailer Towing

Towing capable	Yes / No	No
Engine/transmission/axle	Std / Opt	Not Applicable
Tow class (I, II, III)*	Std / Opt	"
Max. gross trailer wgt. (lbs.)	Std / Opt	"
Max. trailer tongue load (lbs.)	Std / Opt	"
Towing package available	Yes / No	"

* Class I - 2,000 lbs. Class II - 3,500 lbs. Class III - 5,000 lbs.

MVMA Specifications

Vehicle Line Geo METRO
 Model Year 1992 Issued 9-91 Revised(*) _____

METRIC (U.S. Customary)

Vehicle Dimensions See Key Sheets for definitions

All dimensions to ground are for comparative purposes only. Dimensions are to be shown for all base body models of each vehicle line. SAE Ref. no. refers to the definition published in SAE Recommended Practice J1100 'Motor Vehicle Dimensions,' unless otherwise specified.

Model Code/Description	COUPE	SEDAN	CONVERTIBLE
------------------------	-------	-------	-------------

Width	SAE Ref. No.			
Tread (front)	W101	1365 (53.74)		
Tread (rear)	W102	1340 (52.76)		
Vehicle width	W103	1575 (62.00)	[1592 (62.68) With Body Side Molding]	
Body width at Sg RP (front)	W117	1575 (62.00)	[1592 (62.68) With Body Side Molding]	
Vehicle width (front doors open)	W120	3590 (141.34)	3250 (127.95)	3590 (141.34)
Vehicle width (rear doors open)	W121	---	2990 (117.71)	---
Tumble-home (deg.)	W122	22.5	22.0	22.5
Outside mirror width	W410			

Length	SAE Ref. No.			
Wheelbase	L101	2265 (89.17)	2365 (93.11)	2265 (89.17)
Vehicle length	L103	3745 (147.44)	3845 (151.38)	3745 (147.44)
Overhang (front)	L104	785 (30.91)		
Overhang (rear)	L105	695 (27.36)		
Upper structure length	L123	2618 (103.07)	2709 (106.65)	1944 (76.54)
Rear wheel C/L 'X' coordinate	L127	2810 (110.63)	2910 (114.57)	2810 (110.63)

Height **	SAE Ref. No.			
Passenger distribution (front/rear)	PD1,2,3	2/2		2/0
Trunk/cargo load		---		
Vehicle height	H101	1330 (52.36)	1360 (53.54)	1320 (51.97)
Cowl point to ground	H114	871 (34.29)		
Deck point to ground	H136	---		991 (39.02)
Rocker panel-front to ground	H112	193 (7.60)		
Rocker panel-rear to ground	H111	205 (8.07)	207 (8.15)	205 (8.07)
Windshield slope angle (deg.)	H122	60	59	60
Backlight slope angle (deg.)	H121	51.5	44	41.3

Ground Clearance **	SAE Ref. No.			
Front bumper to ground	H102	205 (8.07)	200 (7.87)	205 (8.07)
Rear bumper to ground	H104	240 (9.45)	245 (9.65)	240 (9.45)
Bumper to ground front at curb mass (wt.)	H103	220 (8.66)	220 (8.66)	220 (8.66)
Bumper to ground rear at curb mass (wt.)	H105	265 (10.43)	270 (10.63)	265 (10.43)
Angle of approach (deg.)	H106	20.5	20	20.5
Angle of departure (deg.)	H107	22	22.5	22
Ramp breakover angle (deg.)	H147	17		
Axle differential to ground (front/rear)	H153	---		
Min. running ground clearance	H156	155 (6.10)		
Location of min. run. grd. clear.			Catalyst Case	

** All Vehicle Height And Ground Clearance Are Made Using EPA Loaded Vehicle Weight, Loading Conditions.

EPA Loaded Vehicle Weight is the Base Vehicle Weight Plus All Coolant and Fluids Necessary For Operation Plus 100% Of The Fuel Capacity, Plus The Weight Of All Options And Accessories Which Weigh Three Pounds Or More And Which Are Sold On At Least 33% Of The Car Line, Plus Two Occupants.

All Linear Dimensions Are In Millimeters (Inches)

MVMA Specifications

Vehicle Line Geo METRO
 Model Year 1992 Issued 9-91 Revised(*)

METRIC (U.S. Customary) Vehicle Dimensions

See Key Sheets for Definitions

Body Type

COUPE	SEDAN	CONVERTIBLE
-------	-------	-------------

Front Compartment

SAE Ref. No. []: Pass.

SgRP front, 'X' coordinate	L31	1850 (72.83)		
Effective head room	H61	960 (37.80)	986 (38.82)	1007 (39.65)
Max. eff. leg room (accelerator)	L34	1079 (42.48)		1078 (42.4)
SgRP to heel point	H30	240 (9.45)		200 (7.9)
SgRP to heel point	L53	882 (34.72) [645 (25.39)]		891(35.06)[734(28.88)]
Back angle (deg.)	L40	25		
Hip angle (deg.)	L42	97.5 [88.7]		95 [95]
Knee angle (deg.)	L44	129 [107.3]		128 [127]
Foot angle (deg.)	L46	87 [140]		87 [154.5]
Design H-point front travel	L17	210 (8.27)		
Normal driving & riding seat track trvl.	L23	210 (8.27)		
Shoulder room	W3	1310 (51.57)		
Hip room	W5	1298 (51.10)		
*** Upper body opening to ground	H50	1230 (48.43)	1253 (49.33)	1207 (47.5)
Steering wheel maximum diameter*	W9	375 (14.76)		
Steering wheel angle (deg.)	H18	25.7		23.9
Accel. heel pt. to steer. whl. cntr	L11	452 (17.80)		459 (18.1)
Accel. heel pt. to steer. whl. cntr	H17	615 (24.21)		598 (23.5)
Undepressed floor covering thickness	H67	30 (1.18)		

Rear Compartment

Front Compartment Int. Dim. Are Measured With The Seating Ref. Pt.
 (SgRP) 0 mm Forward And 0 mm Upward of Rearmost Position.

SgRP point couple distance	L50	660 (25.98)	735 (28.94)	Not Applicable
Effective head room	H63	928 (36.54)	965 (37.99)	"
Min. effective leg room	L51	757 (29.80)	829 (32.64)	"
SgRP (second to heel)	H31	266 (10.47)		"
Knee clearance	L48	-73 (-2.87)	-14 (-0.55)	"
Shoulder room	W4	1282 (50.47)	1285 (50.59)	"
Hip room	W6	1080 (42.52)	1085 (42.72)	"
*** Upper body opening to ground	H51	---	1262 (49.88)	"
Back angle (deg.)	L41	25		"
Hip angle (deg.)	L43	76	79.5	"
Knee angle (deg.)	L45	66.5	78	"
Foot angle (deg.)	L47	112	120	"
Depressed floor covering thickness	H73	20 (0.79)		"

Luggage Compartment

Usable luggage capacity L (cu. ft.)	V1	158.9 (5.6)	175.7 (6.2)	180 (6.4)
*** Liftover height	H195	769 (30.28)		

Interior Volumes (EPA Classification)

Vehicle class		Subcompact		Two Seater
Interior volume index (cu. ft.)**		78.8	84.4	
Trunk / cargo index (cu. ft.)		10.3	10.5	

* See page 14.

** Includes passenger and trunk / cargo index - see definition page 32.

*** EPA Loaded Vehicle Weight, Loading Conditions

All Linear Dimensions Are In Millimeters (Inches)

MVMA Specifications

Vehicle Line Geo METRO
 Model Year 1992 Issued 9-91 Revised(*)

METRIC (U.S. Customary) Vehicle Dimensions

See Key Sheets for Definitions

Model Code/Description

COUPE

SEDAN

Station Wagon / MPV** - Third Seat

SAE Ref. No.

(NOT APPLICABLE)

	SAE Ref. No.	(NOT APPLICABLE)
Seat facing direction	SD1	
SgRP couple distance	L85	
Shoulder room	W85	
Hip Room	W86	
Effective leg room	L86	
Effective head room	H86	
SgRP to heel point	H87	
Knee clearance	L87	
Back angle (deg.)	L88	
Hip angle (deg.)	L89	
Knee angle (deg.)	L90	
Foot angle (deg.)	L91	

Station Wagon / MPV** Cargo Space

(NOT APPLICABLE)

	SAE Ref. No.	(NOT APPLICABLE)
Cargo length (open front)	L200	
Cargo length (open second)	L201	
Cargo length (closed front)	L202	
Cargo length (closed second)	L203	
Cargo length at belt (front)	L204	
Cargo length at belt (second)	L205	
Cargo width (wheelhouse)	W201	
Rear opening width at floor	W203	
Opening width at belt	W204	
Min. rear opening width above belt	W205	
Cargo height	H201	
Rear opening height	H202	
Tailgate to ground height	H250	
Front seat back to load floor height	H197	
Cargo volume index cu. m. (cu. ft.)	V2	
Hidden cargo vol. index cu. m. (cu. ft.)	V4	
Cargo volume index-rear of 2-seat	V10	
<input type="checkbox"/> Cargo volume index**	V8	
<input type="checkbox"/> Cargo Width at floor**	W500	
<input type="checkbox"/> Maximum cargo height**	H505	

Hatchback - Cargo Space

	SAE Ref. No.	Value	Value
Cargo length at front seatback height	L208	1102 (43.34)	1197 (47.13)
Cargo length at floor (front)	L209	1018 (40.88)	1043 (41.06)
Cargo length at second seatback height	L210	460 (18.11)	452 (17.80)
Cargo length at floor (second)	L211	600 (23.62)	625 (24.61)
Front seatback to load floor height	H197	455 (17.91)	
Second seatback to load floor height	H198	427 (16.81)	
Cargo volume index cu. m. (cu. ft.)	V3	0.618 (21.8)	0.653 (23.1)
Hidden cargo vol. index cu. m. (cu. ft.)	V4	0.390 (13.8)	0.413 (14.6)
Cargo volume index-rear of 2-seat	V11	0.290 (10.2)	0.295 (10.4)

* EPA Loaded Vehicle Weight, Loading Conditions

** MPV - Multipurpose Vehicle

All Linear Dimensions Are in Millimeters (Inches)

MVMA Specifications

Vehicle Line Geo METRO
 Model Year 1992 Issued 9-91 Revised(*)

METRIC (U.S. Customary)

Model Code/ Description	COUPE, CONVERTIBLE	SEDAN
------------------------------------	--------------------	-------

Vehicle Fiducial Marks

Fiducial Mark Number*	Define Coordinate Location		
Front	Front Suspension Strut Upper Center		
Rear	Burring Hole Center Of Rear Floor Side Member At Rearmost Bottom Surface		
NOTE: Provide 3 of 4 Fiducial Mark Locations			
Front	W21**	512 (20.16)	
	L54**	569 (22.40)	
	H81**	525 (20.67)	
	H161**	755 (29.72)	
	*** H163**	738 (27.06)	737 (29.02)
Rear	W22**	463 (18.23)	
	L55**	3260 (128.35)	3360 (132.28)
	H82**	159 (6.26)	
	H162**	413 (16.26)	
	*** H164**	390 (15.35)	391 (15.99)

* Reference - SAE Recommended Practice, J182, Motor Vehicle Fiducial Marks.

** Reference - SAE Recommended Practice J1100 - Motor Vehicle Dimensions.

*** EPA Loaded Vehicle Weight, Loading Conditions
 All Linear Dimensions Are In Millimeters (Inches)

MVMA Specifications

METRIC (U.S. Customary)

Vehicle Line Geo METRO
 Model Year 1992 Issued 9-91 Revised(*) _____

		Optional Equipment Differential Mass (weight)*			
Code	Equipment	MASS, kg. (lb.)			Remarks Restrictions, Requirements
		Front	Rear	Total	
B37	Floor Piece Mat	2.0 (4.4)	2.0 (4.4)	4.0 (8.8)	
C25	Rear Window Washer & Wiper	0 (0)	1.3 (2.9)	1.3 (2.9)	
C49	Air Conditioning	20.3 (44.8)	-2.0 (-4.4)	18.3 (40.3)	
D35	OSRV Mirror (RH)	0.6 (1.3)	0.5 (1.1)	1.1 (2.4)	
MX1	Automatic Transmission	26.0 (57.3)	-3.0 (-6.6)	23.0 (50.7)	
PB2	Full Wheel Cover	0.77 (1.69)	0.77 (1.69)	1.54 (3.39)	
UM6	AM/FM Stereo W/Cassette Deck	2.0 (4.4)	0.7 (1.5)	2.7 (6.0)	
UM7	Radio - AM/FM Stereo	2.0 (4.4)	0.7 (1.5)	2.7 (6.0)	
U66	Radio Speakers - Dual Rear	0.9 (2.0)	0.9 (2.0)	1.8 (4.0)	
VH4	Front and Rear Mud Guard	0.5 (1.08)	0.7 (1.5)	1.17 (2.6)	

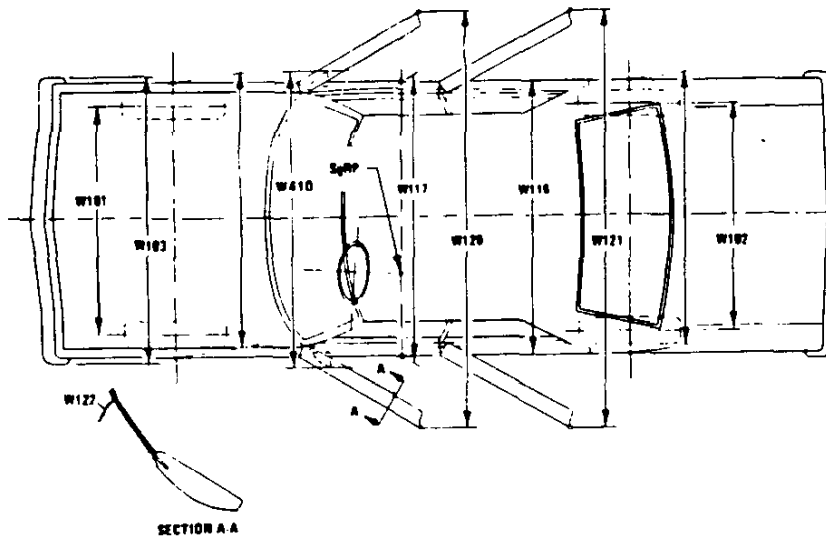
* Also see Engine - General Section for dressed engine mass (weight).

MVMA Specifications

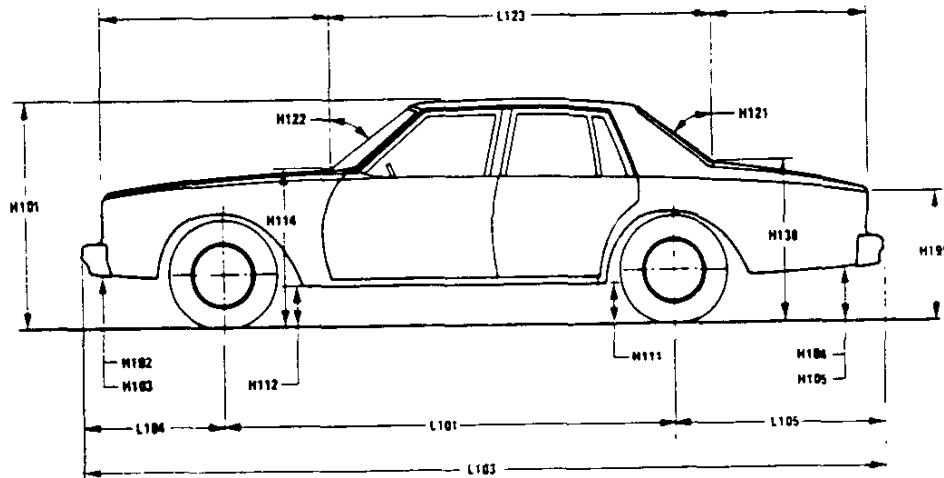
METRIC (U.S. Customary)

Exterior Vehicle And Body Dimensions - Key Sheet

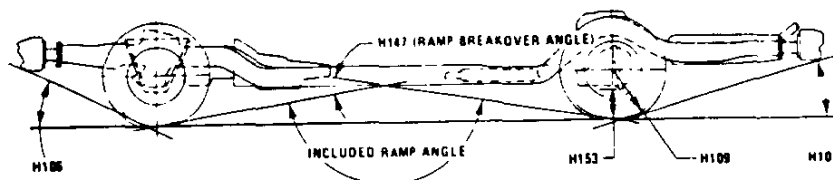
Exterior Width



Exterior Length & Height



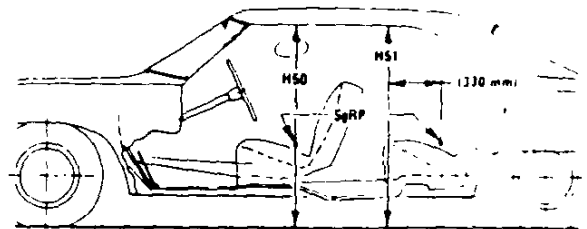
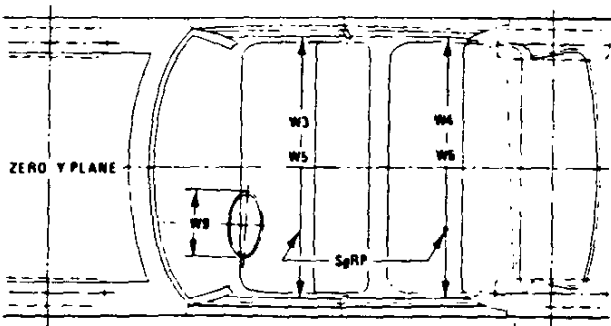
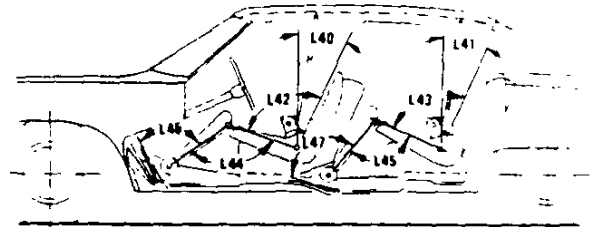
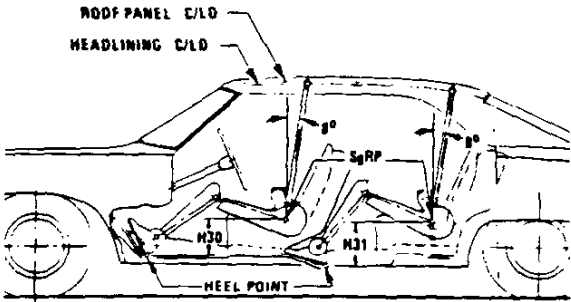
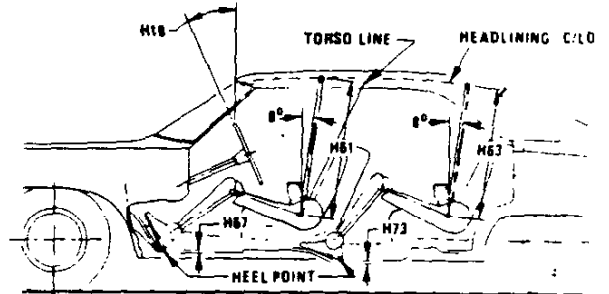
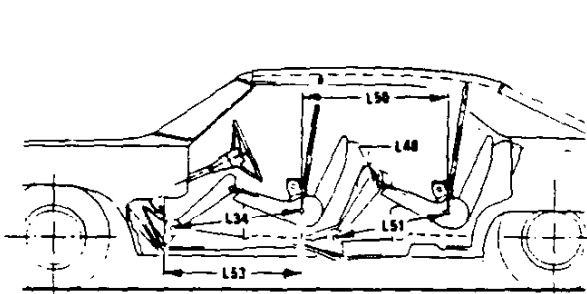
Exterior Ground Clearance



MVMA Specifications Form

METRIC (U.S. Customary)

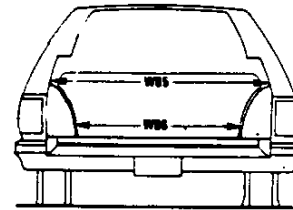
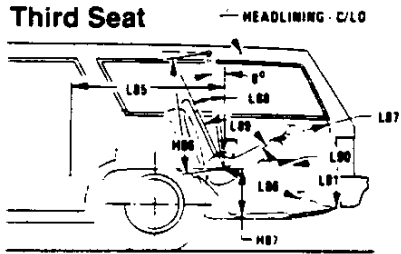
Interior Vehicle And Body Dimensions – Key Sheet



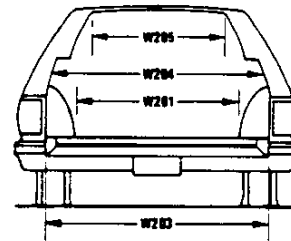
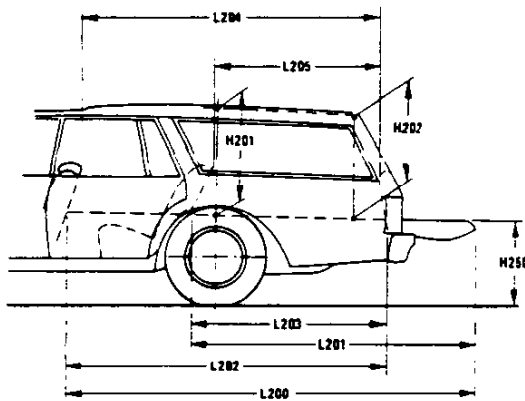
MVMA Specifications

METRIC (U.S. Customary)

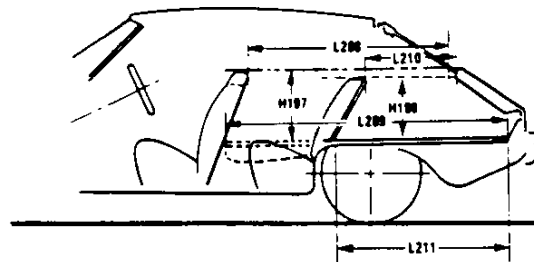
Interior Vehicle And Body Dimensions – Key Sheet



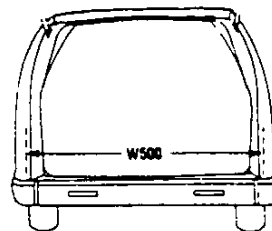
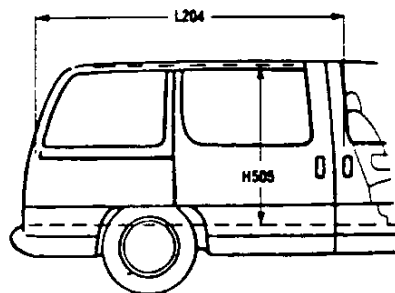
Cargo Space



Station Wagon



Hatchback



∅ **Multipurpose Vehicle**

MVMA Specifications

METRIC (U.S. Customary)

Exterior Vehicle And Body Dimensions – Key Sheet Dimensions Definitions

Seating Reference Point

SEATING REFERENCE POINT means the manufacturer's design reference point which –

- (a) Establishes the rearmost normal design driving or riding position of each designated seating position in a vehicle;
- (b) Has coordinates established relative to the design vehicle structure;
- (c) Simulates the position of the pivot center of the human torso and thigh; and
- (d) Is the reference point employed to position the two dimensional templates described in SAE Recommended Practice J826, "Devices for Use in Defining and Measuring Vehicle Seating Accommodations."

Width Dimensions

- W101 TREAD – FRONT. The dimension measured between the tire centerlines at the ground.
- W102 TREAD – REAR. The dimension measured between the tire centerlines at the ground. In case of dual wheels, the dimension will be measured to the centerline of tire and wheel assemblies.
- W103 VEHICLE WIDTH. The maximum dimension measured between the widest point on the vehicle, excluding exterior mirrors, flexible mud flaps, marker lamps, but including bumpers, moldings, sheet metal protrusions or dual wheels, if standard equipment.
- W117 BODY WIDTH AT SgRP – FRONT. The dimension measured laterally between the widest points on the body at the SgRP-front, excluding door handles, applied moldings, or appliques.
- W120 VEHICLE WIDTH – FRONT DOORS OPEN. The dimension measured between the widest point on the front doors in maximum hold-open position.
- W121 VEHICLE WIDTH – REAR DOORS OPEN. The dimension measured between the widest point on the rear doors in maximum hold-open position. For vehicles with a rear door on only one side, this dimension is to the zero "Y" plane.
- W122 TUMBLE – HOME. STRAIGHT SIDE GLASS. The angle measured from a vertical to the outside surface of the front door glass at the SgRP "X" plane.
CURVED SIDE GLASS. The angle measured from a vertical to a chord extending from the upper DLO to the lower DLO at the outside surface of the front door glass at the front SgRP "X" plane.
- W410 OUTSIDE MIRROR WIDTH. The dimension between the widest point on the outside mirrors. The standard right and left mirror adjusted for normal driving will be shown unless otherwise noted. When only one outside mirror is standard, the dimension will be to the zero "Y" plane.

Length Dimensions

- L101 WHEELBASE (WB). The dimension measured longitudinally between front and rear wheel centerlines. In case of dual rear axles, the dimension shall be to the midpoint of the centerlines of the rear wheels.
- L103 VEHICLE LENGTH. The maximum dimension measured longitudinally between the foremost point and the rearmost point on the vehicle, including bumper, bumper guards, tow hooks and or rub strips, if standard equipment.
- L104 OVERHAND – FRONT. The dimension measured longitudinally from the centerline of the front wheels to the foremost point on the vehicle including bumper, bumper guards, tow hooks and/or rub strips, if standard equipment.
- L105 OVERHANG – REAR. The dimension measured longitudinally from the centerline of the rear wheels; or in the case of dual rear axles, the dimension shall be the midpoint of the centerlines of the rear wheels, to the rearmost point on the vehicle including rear bumpers, bumper guards, tow hooks and rub strips, if standard equipment.

- L123 UPPER STRUCTURE LENGTH. The dimension measured longitudinally from the cowl point to the deck point.
- L127 REAR WHEEL CENTERLINE – "X" COORDINATE or in the case of dual rear axles, the coordinate shall be the midpoint of the distance between the rear axle centerlines.

Height Dimensions

- H101 VEHICLE HEIGHT. The dimension measured vertically from the highest point on the vehicle body to ground.
- H111 ROCKER PANEL – REAR TO GROUND. The dimension measured vertically from the bottom of the rocker or side quarter panel at the front of the rear wheel opening, excluding flanges, to ground.
- H112 ROCKER PANEL – FRONT TO GROUND. The dimension measured vertically from the foremost point on the bottom of the rocker panels, excluding flanges, to ground.
- H114 COWL POINT TO GROUND. Measured at zero "Y" plane.
- H121 BACKLIGHT SLOPE ANGLE. The angle between the vertical reference line and the surface of backlight at vehicle zero "Y" plane. For curve backlight, the angle is to chord of backlight arc from lower DLO to upper DLO.
- H122 WINDSHIELD SLOPE ANGLE. The angle between the vertical reference line and a chord of the windshield arc running from the lower DLO to the upper DLO at the vehicle zero "Y" plane. In the case of wrap over glass, the angle to be measured will be formed by a chord 457 mm (18.0 in.) long drawn from the lower DLO to the intersecting point on the windshield.
- H138 DECK POINT TO GROUND. Measured at zero "Y" plane.
- H109 STATIC LOAD – TIRE RADIUS – REAR. Specified by the manufacturer in accordance with composite TIRE SECTION STANDARD.

Ground Clearance Dimensions

- H102 FRONT BUMPER TO GROUND. The minimum dimension measured vertically from the lowest point on the front bumper to ground, including bumper guards, if standard equipment.
- H103 FRONT BUMPER TO GROUND – CURB MASS (WT). Measured in the same manner as H102.
- H104 REAR BUMPER TO GROUND. The minimum dimension measured vertically from the lowest point on the rear bumper to ground, including bumper guards, if standard equipment.
- H105 REAR BUMPER TO GROUND – CURB MASS (WT). Measured in the same manner as H104.
- H106 ANGLE OF APPROACH. The angle measured between a line tangent to the front tire static loaded radius arc and the initial point of structural interference forward of the front tire to ground. The limiting structural component shall be designated.
- H107 ANGLE OF DEPARTURE. The angle measured between a line tangent to the rear tire static loaded radius arc and the initial point structural interference rearward of the rear tire to ground. The limiting component shall be designated.
- H147 RAMP BREAKOVER ANGLE. The angle measured between two lines tangent to the front and rear tire static loaded radius and intersecting at a point on the underside of the vehicle which defines the largest ramp over which the vehicle can roll.
- H153 REAR AXLE DIFFERENTIAL TO GROUND. The minimum dimension measured from the rear axle differential to ground.
- H156 MINIMUM RUNNING GROUND CLEARANCE. The minimum dimension measured from the sprung vehicle to ground. Specify location.