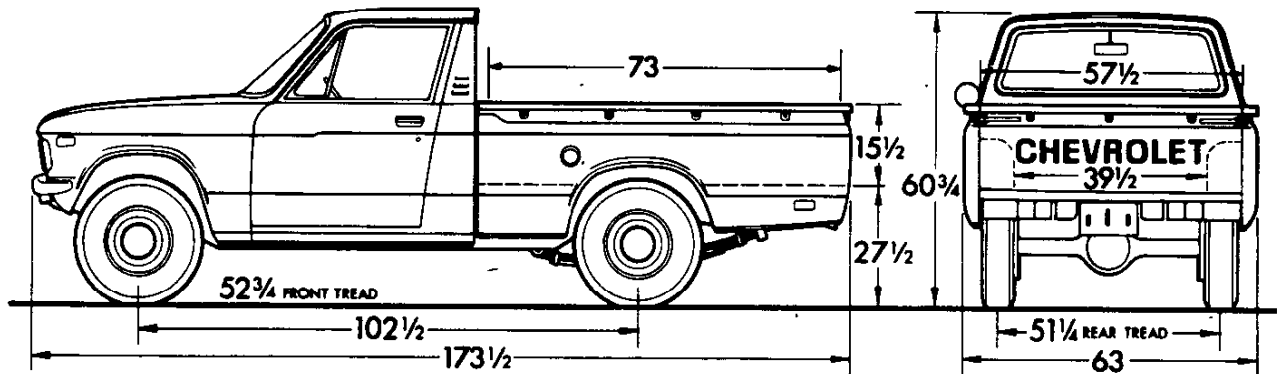




LUV PICKUP

(SERIES 3)



Model	Engine No. Cyl.	Curb Weight (lb)			Model Weights (lb)*			Ground Clearance (in)★
		Front	Rear	Total	Front	Rear	Total†	Minimum
CL10503	4	1370	1100	2470	1535	1235	2920	8.1

★ Dimensions with standard equipment, unloaded

* Model Weights include curb weight plus occupants (standard seating capacity x 150 lbs.)

† Total also includes 150 lbs minimum payload allowance

GVW SELECTOR

‡Maximum Ratings			Minimum Equipment Required for GVW Rating		
GVW Rating (lb)	★GAWR (lb)		Tires, Front	Tires, Rear	Chassis Equipment
	Front	Rear			
3950	1600	2650	6.00-14C (6PR)	6.00-14C (6PR)	Standard

‡ GAWR's shown are the maximum for each axle. When ordering a truck, the total of the actual weight on both front and rear axles cannot exceed the total GVW rating.

★GAWR—Gross Axle Weight Rating

LUV PICKUP

(SERIES 3)

STANDARD SPECIFICATIONS

(See Blue Tab Section for Specification Details)

Engine	
Base equip—4 cyl.	110.8 cu. in. (1817 cc)
Clutch	8" O. D. (Hydraulically operated)
Air Filter	Wet-paper element; replaceable
Oil Filter	Throwaway type
Exhaust System	Single; outside zinc-plated
Emission Control Systems	Meets Government Requirements
Suspension, Front	Independent; Torsion bar
Capacity	1600 lb.
Torsion Bars @ Ground	800 lb. ea.
Stabilizer	Connected to each side
Shock Absorbers	Direct, double acting; 1" dia.
Suspension/Axle, Rear	Leaf springs/Hypoid
Axle Capacity	3500 lbs.
Axle Ratio	4.56
Springs @ ground	1325 lb. ea.
Shock Absorbers	Direct, double acting; 1" dia.
Brakes	Hydraulic; Self-adjusting
Front	Drum; 10" Dia.
Rear	Drum; 10" Dia.
Booster	Bendix; vacuum
Parking	Cable to rear wheels
Electrical	
Battery	12 volt; 50 amp. hr.
Generator	30 amp.
Frame	Box section; ladder type
Fuel Tank (nominal capacity)	12 gal.
Steering Gear Type	Recirculating ball
Transmission	Fully synchronized 4-speed
Shift location	Floor
Tires (tubeless)	(5) 6.00-14/C (6pr)
Tire Carrier, Spare	Winch/chain unit under pickup box
Wheels	(5) Disc; 14" x 4" J

LUV PICKUP

(SERIES 3)

STANDARD MODEL

The Standard Model Includes the Following Items as Standard Equipment

EXTERIOR FEATURES

● **Bright appearance items:**

Chevrolet Emblem: Mounted center of grille with bright outer edge and ochre paint fill
LUV/Bowtie nameplates: Side of each front fender
Door entry handles
Chrome front bumper
Door lock cylinder assemblies
Grille: Bright upper and lower moldings
Headlamp bezel bright trim
Chrome LH exterior mirror
Ventipane frames
Fuel filler cap

● **Color:** See exterior-interior color selection chart

● **Lights:**

Combination parking/direction/hazard: two front
Back-up light; double rear, inboard
Combination tail/stop/hazard: two rear outboard w/red lenses and reflectors
Rear Direction Signal lights; two, middle rear w/amber lenses
Headlamps: Four
License Plate: single rear
Side marker lights: two front and two rear

● **Mirror:** LH fixed arm with round head

● **Hub caps:** Painted white with ochre and black paint fill in Chevrolet emblem

● **Lettering "CHEVROLET" Tailgate:** Painted black

● **Pickup Box:** All steel; 11 cargo hold-down eyes with 4 on outside edge of each side top rail and 3 on outside edge of tailgate top rail



● **Spare tire carrier:** Mounted on frame under cargo box with mechanical winch and chain for raising and lowering tire assembly

● **Tools:** Mechanical jack, combination jack handle/wheel nut wrench/hub cap tool, and spare tire winch handle

● **Wheels:** Painted white

INTERIOR FEATURES

● **Air Vents:** RH & LH instrument panel side and foot vents; individually controlled. Also flow-thru with air being exhausted through outlets located in upper rear quarter panels

● **Arm Rests:** Color-keyed RH & LH

● **Ash Tray**

● **Colors:**

Painted interior: Same as exterior color choice
Trim—Color choice of saddle or blue

● **Door Locks:** Inside pushbutton lock/release

● **Door Seals:** Constant-section sponge rubber

● **Door trim panels:** Embossed vinyl

● **Dome Lamp** with switch; over rear window

● **Floor Mat:** Color-keyed molded vinyl

● **Instruments:**

Gauges: Speedometer, odometer, temperature and fuel
Switches: Exterior/instrument lights; dome lights; wiper-washer; ignition; combination steering column switch for direction signals by moving lever up and down and headlight beams by moving lever fore and aft; hazard warning on steering column

Warning Lights: Generator, oil pressure, parking brake, direction signals and high beam

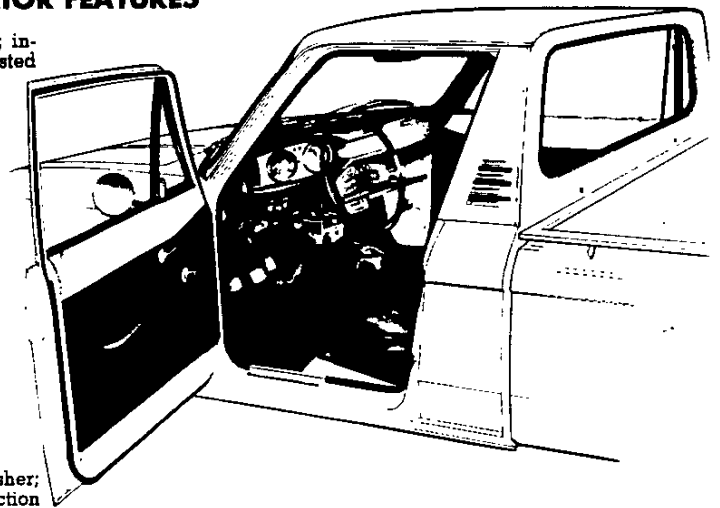
● **Instrument Panel:** Steel with vinyl-coated foam padding

● **Headliner:** Color-keyed vinyl

● **Heater and Defroster:** Outside air heater with manual water flow control for temperature; automatic blower operation with ignition switch on for power ventilation system

● **Interior Lights:** Instrument controlled by main light switch and dome with separate switch

● **Insulation and Sound Deadening**



● **Mirror, Rearview:** Inside mounted to windshield header with impact break-away arm

● **Seat:** Full-width with latched forward fitting back for access to storage area behind seat; textured all-vinyl trim

● **Seat and Shoulder Belts:** Driver and passenger

● **Steering Wheel:** Molded plastic; 2-spoke; 15.7" diameter; center horn bar

● **Sunshade(s):** LH and RH vinyl trimmed

LUV PICKUP

(SERIES 3)

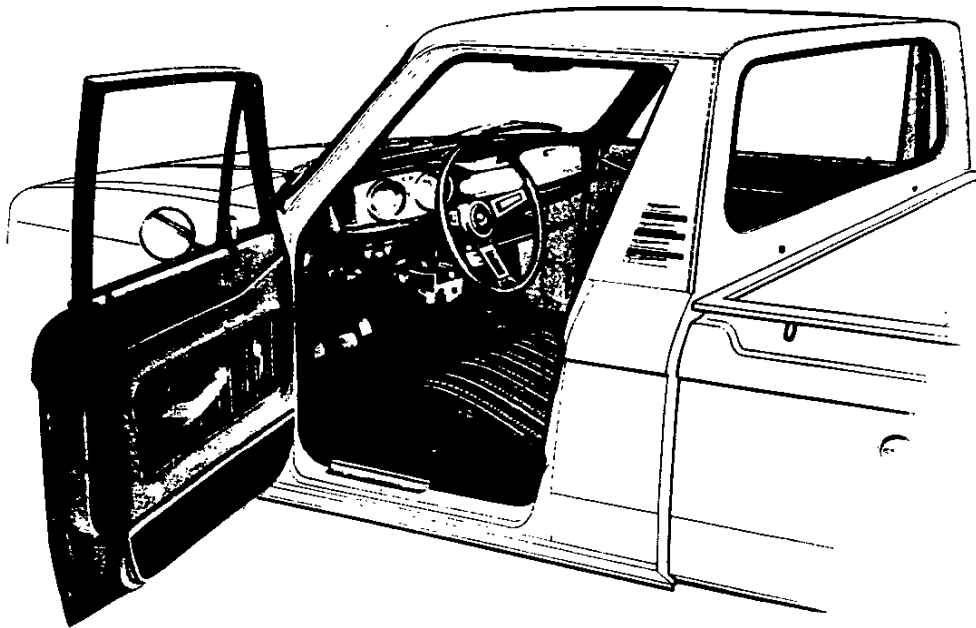
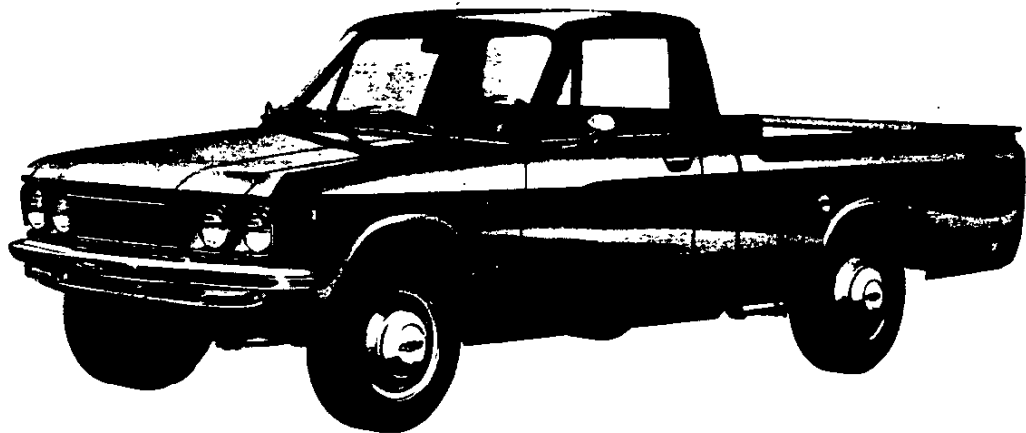
MIKADO MODEL OPTION—RPO YH9

(This option includes all standard items plus the additions or substitutions listed below)

EXTERIOR

- **Bright appearance items:**

"Mikado" nameplates: mounted on each side panel at rear



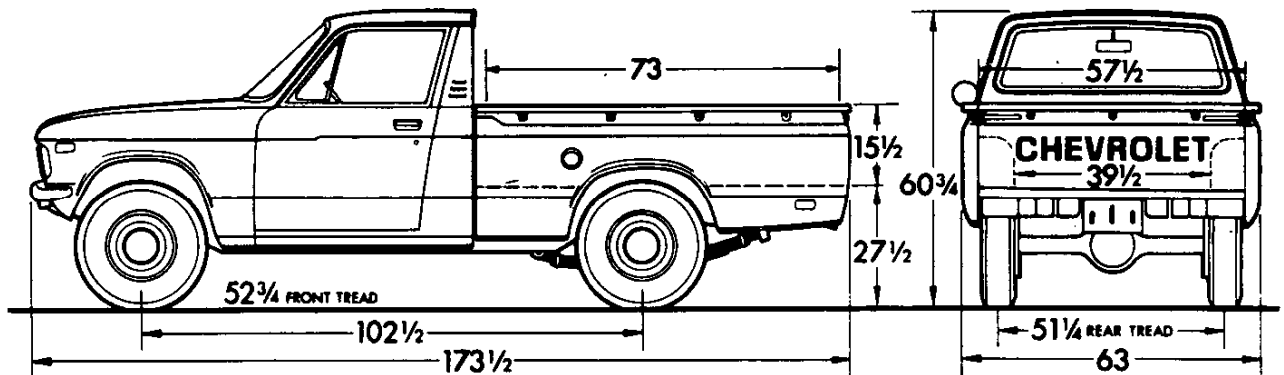
INTERIOR

- **Ash Tray:** Lighted
- **Bright appearance items:**
 - "Mikado" nameplate mounted on glove box door
 - Chevrolet Emblem: in center cap of steering wheel
- **Carpeting:** Color-keyed
- **Dome Lamp:** Brighter lamp, with door-actuated switches
- **Door Trim Panels:** Deluxe cloth center insert in blue or saddle and color-keyed carpet kick panel
- **Horn:** Dual note
- **Seat:** Deluxe cloth trim in blue or saddle
- **Seat Belts:** Color-keyed, with automatic locking retractors
- **Shift Lever Knob:** stitched leather grained vinyl knob
- **Steering Wheel:** 3-spoke; stitched leather grained vinyl covered rim

LUV PICKUP

(SERIES 3)

DIMENSIONS



Cab Construction

The cab is a 2-door, 2-passenger unit utilizing all-steel, welded construction. A plenum chamber screened air intake with high and low level air outlets is incorporated in the front end structure for interior ventilation. Single-wall construction is utilized throughout the remainder of the cab except in the upper rear quarter areas. Drip rails are used at the sides of the roof panel. Lower body joints are filled with sealer.

Pickup Box

The nominal 6-foot pickup box is of a single wall welded construction, and has a capacity of 38 cubic feet. The box has ten mounting locations to the frame, eleven cargo holddown eyes, and an evaporative emissions storage cannister mounted on the front left side of the box. Spare tire storage attachment to the bottom, rear of the box is provided with a winch mechanism for raising and lowering the tire and wheel.

LUV PICKUP (SERIES 3)

INTERIOR AND EXTERIOR SELECTION CHART

INTERIOR TYPE	SEAT TYPE	Blue	Saddle
Standard	Vinyl Bench	VDD1	VSS1
Mikado Custom (YH9)	Custom Cloth Bench	MDD1	MSS1

SOLID	OPTION NUMBER		
Blue, Horizon	580	X	
Green, Palm	583		X
Red, Crimson	514		X
Tan, Westway	584		X
White, Strato	579	X	X
Yellow, Jasmine	595		X

POWER TEAMS ENGINE, TRANSMISSION AND REAR AXLE COMBINATIONS

ENGINE	TRANSMISSION	REAR AXLE RATIO
4-Cylinder 2-barrel carburetor 75 Net HP @ 5000 RPM* 88-lb-ft net torque @ 3000 RPM* Single Exhaust	4-Speed	4.56

*Engine ratings shown are S.A.E. net ratings @ 85°F.

LUV PICKUP

(SERIES 3)
STANDARD VEHICLE
VEHICLES WITH STANDARD EQUIPMENT

Description	Model Number	Body Code	Wheel-base	Factory D&H ¹	List Price	Mfr's Sg'd Retail Price [★]	Desti-nation Charge & Group Number	Total
◆ 4-Cylinder 110.8-2/SE Engine—Engine Ordering Code L10								
Pickup.....	CL10503	E63	102.4"				49.....	

★ Manufacturer's Suggested Retail Prices do not include applicable destination charges, state and local taxes, license fees, options or accessories.
◆ Refer to Dealer Order Guide for California Requirements.

OPTIONS AND ACCESSORIES WHEN INSTALLED BY CHEVROLET

Description	Option Number	Added Model Weight (F) (R)		Factory D&H ¹	List Price	Mfr's Suggested Retail Price [◇]
REFER TO DEALER ORDER GUIDE FOR OPTION AVAILABILITY AND APPLICATION						
Air Conditioning	C60	60	0			
Bumpers, Rear:						
<i>Chromed, LH and RH</i>	VF1	N.A.	N.A.			
<i>Rear Step</i>	V43	-20	65			
California Emission Certification: Includes all testing, equipment and/or certification necessary for registration in the State of California.....	YF5	0	0			
Decor Package: Includes belt line, windshield and roof drip moldings and full wheel covers.....	YA1	3	2			
Mikado: Includes Mikado nameplate on glove compartment door and side panels at rear; 3-spoke steering wheel with stitched leather-grained vinyl covered rim and Chevrolet emblem in center cap; shift lever knob with stitched leather-grained vinyl cover; door trim panels with deluxe cloth center insert and carpet kick panels; deluxe cloth seat trim; color-keyed carpeting; seat belts with automatic locking retractors; deluxe door actuated dome lamp; lighted ash tray and dual horns.....	YH9	0	0			
Radio:AM Pushbutton.....	U63	4	1			
Tires: 6.00-14/C (6 PR) Tubeless, Original Equipment Highway White Stripe.....	QKD	0	0			

¹ D&H amounts reflect provision for pass through of tire weight tax imposed on manufacturer or importer of tires.
◇ State and local taxes not included.

NOTES