



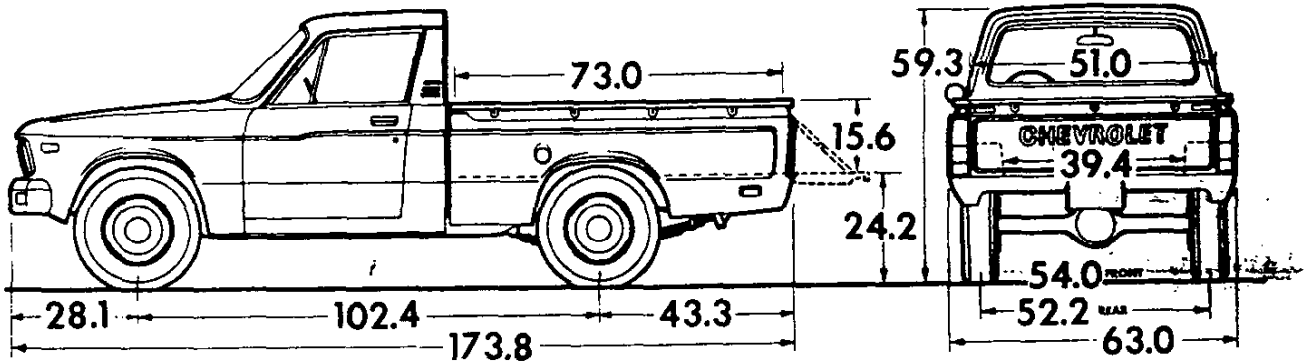
1
2



3
4
5
6
7
8
9
10
11
12
13
14
15
16
17
18
19
20
21
22
23
24
25
26
27
28
29
30
31
32
33
34
35
36
37
38
39
40
41
42
43
44
45
46
47
48
49
50
51
52
53
54
55
56
57
58
59
60
61
62
63
64
65
66
67
68
69
70
71
72
73
74
75
76
77
78
79
80
81
82
83
84
85
86
87
88
89
90
91
92
93
94
95
96
97
98
99
100

LUV PICKUP

(SERIES 5)



Model	Engine No. Cyl.	Curb Weight (lb)			Model Weights (lb)*			Ground Clearance (in)★
		Front	Rear	Total	Front	Rear	Total	Minimum
CL10503	4	1350	1110	2460	1497	1263	2760	8.1

★ Dimensions with standard equipment, unloaded

* Model Weights include curb weight plus occupants (standard seating capacity x 150 lbs.) Total Model Weight may vary as much as ±150 lbs. to allow for production build variation.

GVW SELECTOR

Maximum Ratings			Minimum Equipment Required for GVW Rating		
GVW Rating (lb)	▲GAWR (lb)		Tires, Front	Tires, Rear	Chassis Equipment
	Front	Rear			
3950	1660	2540	E78-14B (4PR)	E78-14B (4PR)	Standard

‡ GAWRs shown are the maximum for each axle with the equipment listed.

▲GAWR—Gross Axle Weight Rating

LUV PICKUP

(SERIES 5)

STANDARD MODEL

The Standard Model Includes the Following Items as Standard Equipment

EXTERIOR FEATURES

● **Bright appearance items:**

Chevrolet Emblem: Mounted center of grille with bright outer edge and ochre paint fill
LUV/Bowtie nameplates: Side of each front fender
Door entry handles
Chrome front bumper
Door lock cylinder assemblies
Grille: Bright upper and lower moldings
Headlamp bezel bright trim
Chrome LH exterior mirror
Ventipane frames
Fuel filler cap

● **Color:** See Interior & Exterior Color Selection Chart

● **Hub caps:** Painted white with ochre and black paint fill in Chevrolet emblem

● **Lettering "CHEVROLET" tailgate:** Painted black

● **Lights:**

Combination parking/direction/hazard: two front
Combination rectangular rear lamps: tail/stop in upper section w/red lens and reflector; hazard/direction signal in middle section w/red lens; back-up lamp in lower section w/clear lens
Headlamps: Four
License Plate: single rear
Side marker lights: two front and two rear

● **Mirror:** LH chrome fixed arm with rectangular head

● **Pickup Box:** All steel; 11 cargo hold-down eyes with 4 on outside edge of each side top rail and 3 on outside edge of tailgate top rail



● **Spare tire carrier:** Mounted on frame under cargo box with mechanical winch and chain for raising and lowering tire assembly

● **Tools:** Mechanical jack, combination jack handle/wheel nut wrench/hub cap tool, and spare tire winch handle

● **Wheels:** Painted white

INTERIOR FEATURES

● **Air Vents:** RH & LH instrument panel side and foot vents; individually controlled. Also flow-thru with air being exhausted through outlets located in upper rear quarter panels

● **Armrests:** Color-keyed RH & LH

● **Ashtray**

● **Colors:**

Painted interior: Same as exterior color choice
Trim—Color choice of saddle or blue

● **Dome Lamp** with switch; over rear window

● **Door Locks:** Inside pushbutton lock/release

● **Door Seals:** Constant-section sponge rubber

● **Door trim panels:** Embossed vinyl

● **Floor Mat:** Color-keyed molded vinyl

● **Headliner:** Color-keyed vinyl

● **Heater and Defroster:** Outside air heater with manual water flow control for temperature; automatic blower operation with ignition switch on for power ventilation system

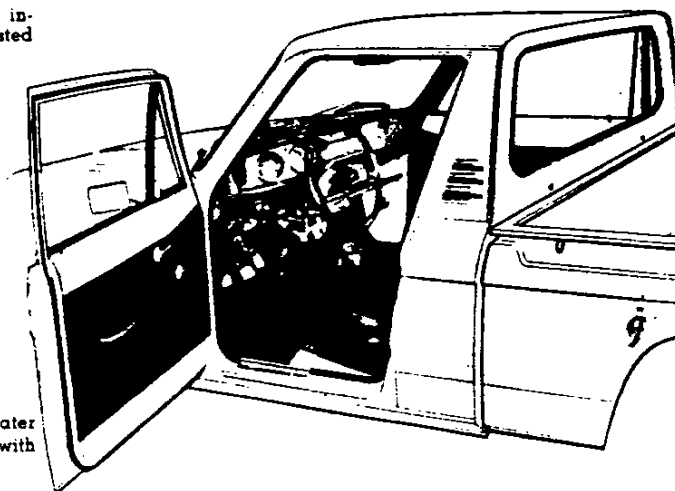
● **Instrument Panel:** Steel with vinyl-coated foam padding

● **Instruments:**

Gauges: Speedometer, odometer, temperature and fuel
Switches: Exterior/instrument lights; dome lights; wiper-washer; ignition; combination steering column switch for direction signals by moving lever up and down and headlight beams by moving lever fore and aft; hazard warning on steering column
Warning Lights: Generator, oil pressure, parking brake, direction signals and high beam

● **Insulation and Sound Deadening**

● **Interior Lights:** Instrument controlled by main light switch and dome with separate switch



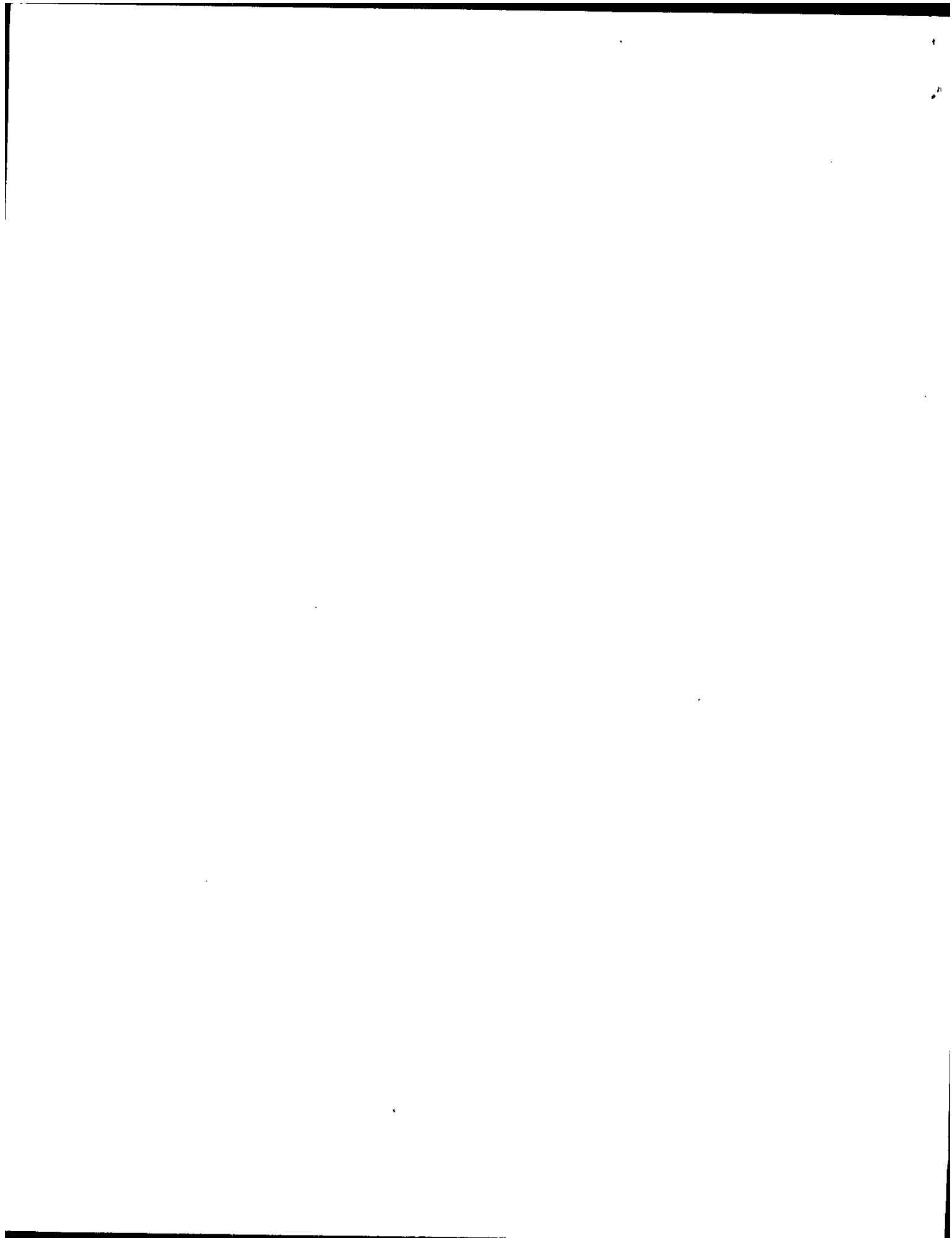
● **Mirror, Rearview:** Inside mounted to windshield header with impact break-away arm

● **Seat:** Full-width with latched forward fitting back for access to storage area behind seat; textured all-vinyl trim

● **Seat and Shoulder Belts:** Color-keyed; driver and passenger

● **Steering Wheel:** Molded plastic; 2-spoke; 15.7" diameter; center horn bar

● **Sunshades:** Color-keyed; LH and RH vinyl trimmed



LUV PICKUP

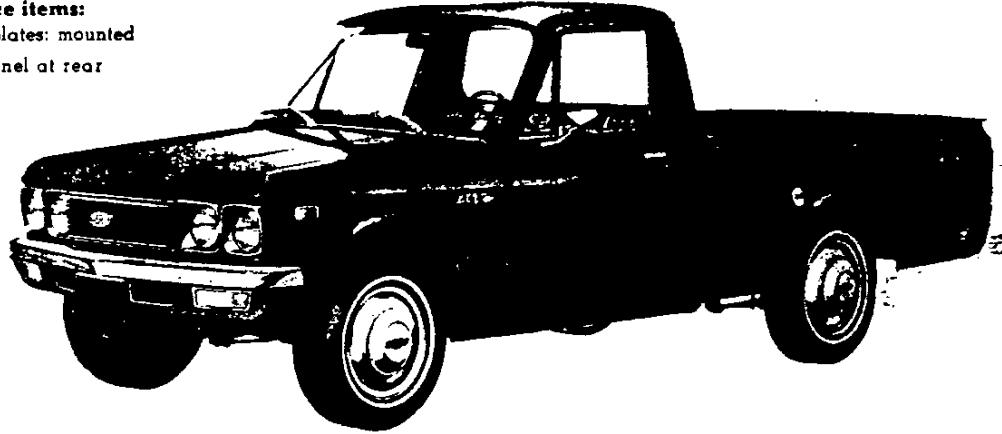
(SERIES 5)

MIKADO MODEL OPTION—RPO YH9

(This option includes all standard items plus the additions or substitutions listed below)

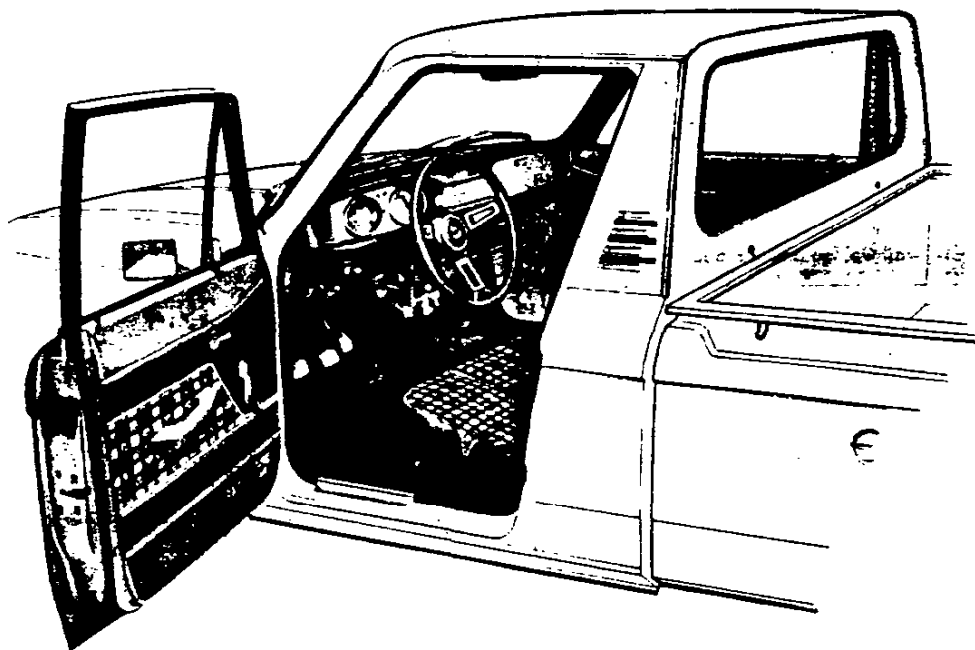
EXTERIOR

- **Bright appearance items:**
"Mikado" nameplates: mounted
on each side panel at rear

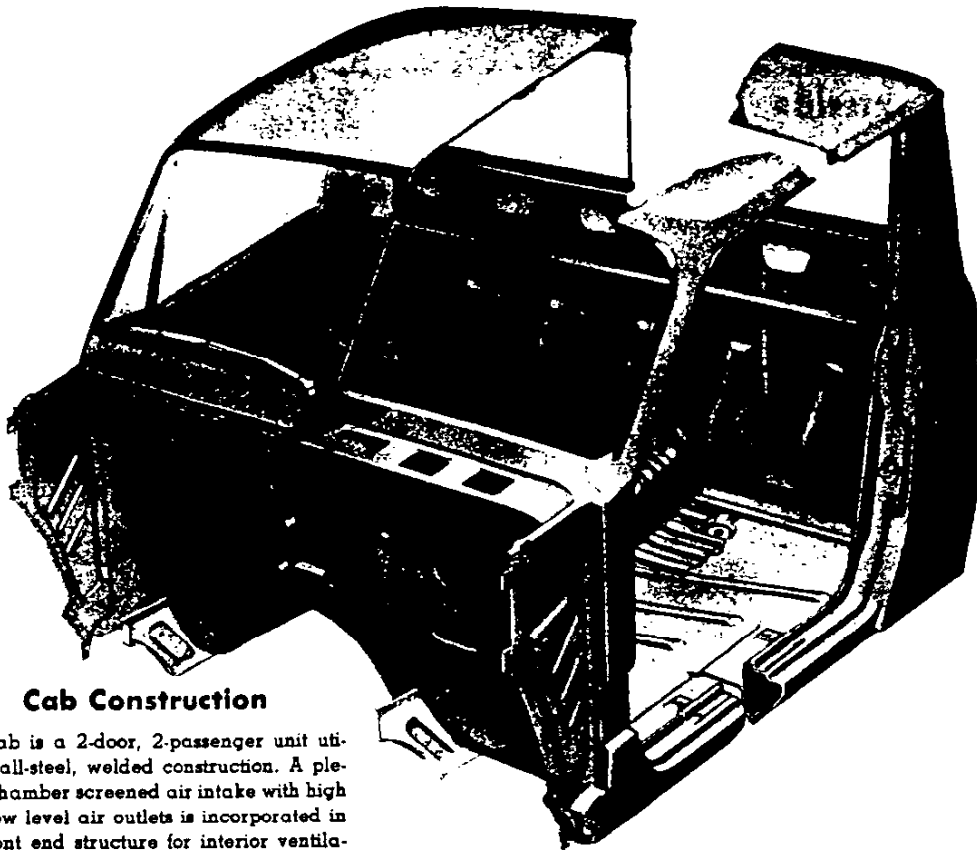


INTERIOR

- **Ash Tray:** Lighted
- **Bright appearance items:**
"Mikado" nameplate mounted on glove box door
Chevrolet Emblem: in center cap of steering wheel
- **Carpeting:** Color-keyed
- **Dome Lamp:** Brighter lamp, with door-actuated switches
- **Door Trim Panels:** Deluxe plaid cloth or deluxe light colored vinyl center insert in blue, red (cloth only) or saddle and color-keyed carpet kick panel
- **Horn:** Dual note
- **Seat:** Choice of: 1) Deluxe plaid cloth in blue, saddle or red or 2) knit vinyl in blue or saddle
- **Seat Belts:** Color-keyed, with automatic locking retractors
- **Shift Lever Knob:** Stitched, leather-grained urethane covered knob
- **Steering Wheel:** 3-spoke; stitched, leather-grained urethane covered rim



LUV PICKUP (SERIES 5)

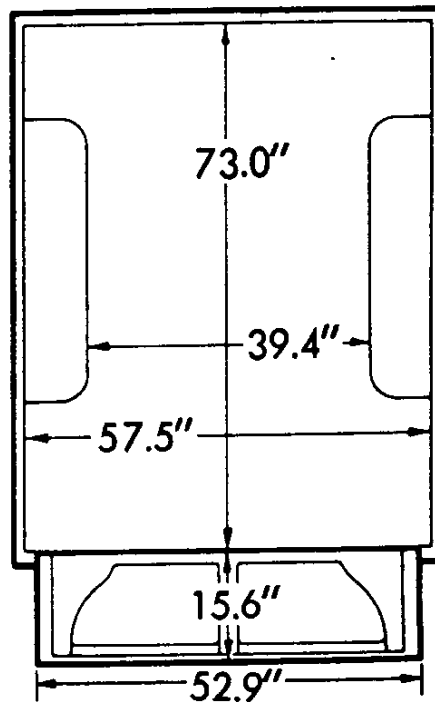


Cab Construction

The cab is a 2-door, 2-passenger unit utilizing all-steel, welded construction. A plenum chamber screened air intake with high and low level air outlets is incorporated in the front end structure for interior ventilation. Single-wall construction is utilized throughout the remainder of the cab except in the upper rear quarter areas. Drip rails are used at the sides of the roof panel. Lower body joints are filled with sealer.

Pickup Box

The nominal 6-foot pickup box is of a single wall welded construction, and has a capacity of 38 cubic feet. The box has ten mounting locations to the frame, eleven cargo holddown eyes, and an evaporative emissions storage cannister mounted on the front left side of the box. Spare tire storage attachment to the bottom, rear of the box is provided with a winch mechanism for raising and lowering the tire and wheel.





LUV PICKUP

(SERIES 5)

STANDARD SPECIFICATIONS

(See Blue Tab Section for Specification Details)

Engine Base equip—4 cyl. Clutch Air Filter Oil Filter Exhaust System Emission Control Systems	110.8 cu. in. (1817 cc) 7.87" O. D. (Hydraulically operated) Wet-paper element; replaceable Throwaway type Single; outside zinc-plated Meet Government Requirements
Suspension, Front Capacity Torsion Bars @ Ground Stabilizer Bar Shock Absorbers	Independent; Torsion bar 1660 lb. 830 lb. ea. .71" dia. Direct, double acting; .98" dia.
Suspension/Axle, Rear Axle Capacity Axle Ratio Springs @ ground Shock Absorbers	Leaf springs/Hypoid 3500 lbs. 4.10 1325 lb. ea. Direct, double acting; .98" dia.
Brakes Front Rear Booster Parking	Hydraulic; Self-adjusting Disc; 9.84" Rotor Drum; 10" Dia. Bendix; vacuum Cable to rear wheels
Electrical Battery Generator	12 volt; 50 amp. hr. 35 amp.
Frame	Box section; ladder type
Fuel Tank (nominal capacity)	13 gal.
Steering Gear Type	Recirculating ball
Transmission Shift location	Fully synchronized 4-speed Floor
Tires (tubeless)	(S) E78-14B 4(PR)
Tire Carrier, Spare	Winch/chain unit under pickup box
Wheels	(S) Disc; 14" x 5"

LUV PICKUP (SERIES 5)

INTERIOR AND EXTERIOR SELECTION CHART

INTERIOR TYPE	Decor Option	INTERIOR TRIM COLOR AND CODE			
		Blue	Red	Saddle	
Standard Vinyl Bench Seat	Std.	VDD1		VSS1	
Mikado Custom Plaid Cloth Bench Seat	YH9	MDD1	MRR1	MSS1	
Custom Knit Vinyl Bench Seat		XDD1		XSS1	
EXTERIOR COLORS	SOLID PAINT CODE				
	Primary	Secondary			
Sky Blue	80	80	X		
Shannon Green	83	83			X
Crimson Red	14	14		X	X
Desert Tan	84	84			X
Strato White	79	79	X	X	X
Jasmine Yellow	95	95			X

POWER TEAM

ENGINE	TRANSMISSION	REAR AXLE	
Type and Code	Type	Capacity (lb)	Ratio
110.8 2-bbl 4 cyl. (Standard)	4-Speed (Std)	3500	4.10
	Turbo Hydra-matic—M40		

■ Available for registration in the State of California when California Emission Certification is ordered.

ENGINE RATINGS

SAE Net Ratings @ 85°F	110.8 2-bbl 4 cyl.
Net Horsepower	80 @ 4800 rpm
Net Torque, lb-ft.	95 @ 3000 rpm

LUV PICKUP (SERIES 5) STANDARD VEHICLE

Effective with initial shipment of Series 5 Vehicles.

Description	Model Number	Code	Wheel-base	Factory D&H [§]	List Price	Mfr's Suggested Retail Price*	Destination Charge & Group Number	Total
♦ 4-Cylinder 110.8-2 BBL Engine Ordering Code L10								
Pickup.....	CL10503	E63	102.4"	11.35	3273.00	3284.35	41.....	

- * Manufacturer's Suggested Retail Prices do not include applicable destination charges, state and local taxes, license fees, options or accessories.
- ♦ Refer to Power Team Chart for California Emission Certification Requirements.

OPTIONS AND ACCESSORIES WHEN INSTALLED BY CHEVROLET

Effective with initial shipment of Series 5 Vehicles.

Description	Added Weight (F) (R)		Option Number	Factory D&H [§]	List Price	Mfr's Suggested Retail Price ^o
Air Conditioning	79	2	C60	N.A.	\$412.00	\$412.00
Bumpers, Equipment:						
<i>Rear Chromed</i>	-9	32	VF1	N.A.	57.00	57.00
<i>Rear Step</i>	-20	65	V43	N.A.	59.00	59.00
<i>Guards, Front Chromed</i>	8	2	V31	N.A.	29.00	29.00
California Emission Certification: Includes all testing, equipment and/or certification necessary for registration in the State of California.....						
	15	10	YF5	N.A.	95.00	95.00
Decor Package: Includes belt line, windshield and roof drip moldings and full wheel covers.....						
	4	4	YA1	N.A.	68.00	68.00
Mikado: Includes Mikado nameplate on glove compartment door and side panels at rear; 3-spoke steering wheel with stitched leather-grained vinyl covered rim and Chevrolet emblem in center cap; shift lever knob with stitched leather-grained vinyl cover; door trim panels with deluxe center insert and carpet kick panels; color-keyed carpeting; seat belts with automatic locking retractors; deluxe door actuated dome lamp; lighted ash tray and dual horns.						
With Special Custom Cloth Trim.....	6	2	YH9	N.A.	149.00	149.00
Additional Charges:						
Knit Vinyl Trim.....	6	2	YH9	N.A.	20.00	20.00
Radio Equipment: Pushbutton						
<i>AM</i>	3	1	U63	N.A.	71.00	71.00
<i>AM/FM</i>	3	1	U69	N.A.	135.00	135.00
Tires: E78-14/B (4PR) Tubeless, Passenger Type White Stripe.....	0	0	QEH	N.A.	30.00	30.00
Transmission: Turbo Hydra-matic.....	30	10	M40	N.A.	300.00	300.00

[§] D&H amounts reflect provision for pass through of tire weight tax imposed on manufacturer or importer of tires. State and local taxes not included.

