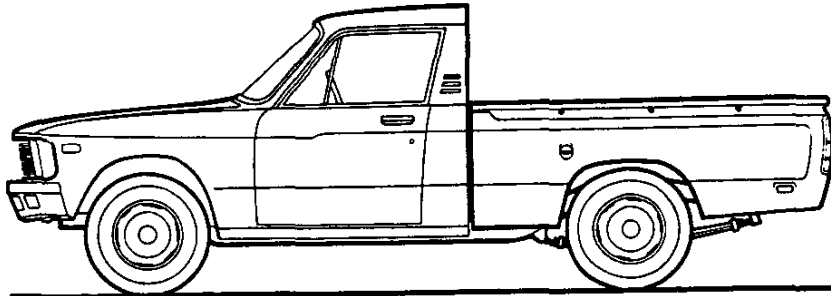
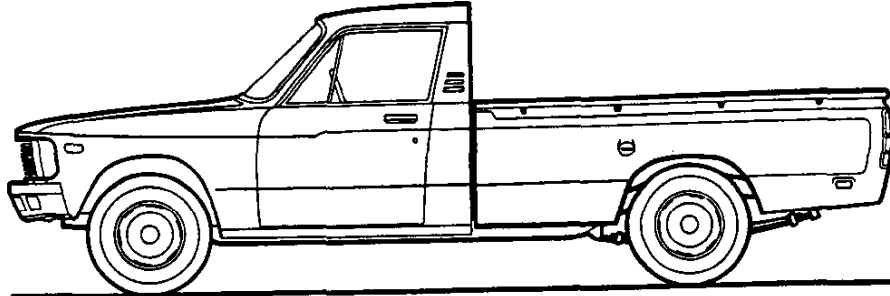


1979

LUV PICKUP & CHASSIS-CAB

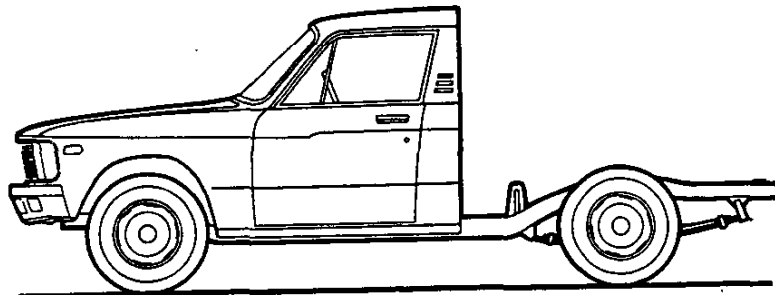
(SERIES 9)

PICKUP MODEL SELECTOR



SERIES	MODEL NUMBER		BODY ORDERING CODE
	6' BOX	7 1/2' BOX	
9 (2 Wheel Drive)	CL10503	CL10803	E63
9 (4 Wheel Drive)	CR10503	—	E63

CHASSIS-CAB MODEL SELECTOR



SERIES	MODEL NUMBER	BODY ORDERING CODE
	34.5' CA	
9	CL10503	ZW9

LUV PICKUP & CHASSIS-CAB

(SERIES 9)

STANDARD SPECIFICATIONS

(See Blue Tab Section for Specification Details)

	CL10503-CL10803	CR10503
Engine		
Base equipment—4 cyl.	110.8 cu. in. (1817 cc)	
Clutch	7.87" O. D. (Hydraulically operated)	
Air Filter	Wet-paper element; replaceable	
Oil Filter	Throwaway type	
Exhaust System	Single; outside zinc-plated	
Emission Control Systems	Meet Government Requirements	
Suspension, Front	Independent; Torsion Bar	Independent; Driving Axle, Torsion Bar
Capacity	1830 lb.	1830 lb.
Axle Ratio	—	4.10
Torsion Bars @ Ground—102.4" wb models. —117.9" wb models.	830 lb. ea. 915 lb. ea.	915 lb. ea. —
Stabilizer Bar—102.4" wb models. —117.9" wb models.	.71" dia. .87" dia.	.87" dia. —
Shock Absorbers	Direct, double acting; .98" dia.	
Hubs—Free Wheeling	—	Standard
Suspension, Rear	2-stage Leaf springs/Hypoid	
Axle Capacity	3500 lbs.	
Axle Ratio	3.73†	4.10
Springs @ Ground—102.4" wb Pickup —All other models	1040 lb. ea. 1325 lb. ea.	
Shock Absorbers	Direct, double acting; .98" dia.	
Brakes	Hydraulic; Self-adjusting	
Front	Disc; 9.84" Rotor	
Rear	Drum; 10" Dia.	
Booster	Bendix; vacuum	
Parking	Cable to rear wheels	
Electrical		
Battery	12 volt; 50 amp. hr.	
Generator	35 amp.	
Frame	Box section; ladder type	
Fuel Tank (nominal capacity)	13 gal.	
Steering Gear Type	Recirculating ball	
Transmission	Fully synchronized 4-speed	
Shift location	Floor	
Transfer Case	—	2-speed
Tires (tubeless)	(5) E78-14B (4PR)	(5) F70-14B (4PR) White Lettered
Tire Carrier, Spare	Winch/chain unit; frame mounted at rear*	
Wheels	(5) Disc; 14" x 5"	(5) Styled; 14" x 5.5"

On Chassis-Cab models, the winch and chain unit and spare tire are provided as loose items.
4.10 ratio on Chassis-Cab models.

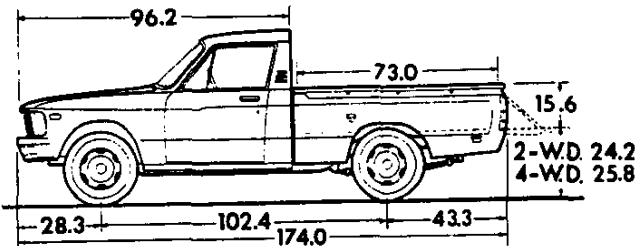
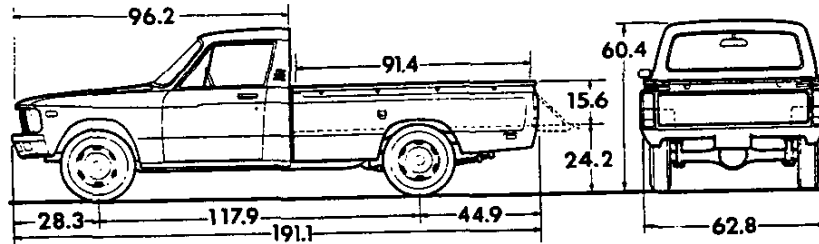
LUV PICKUP & CHASSIS-CAB

(SERIES 9)

Body Ordering Codes:

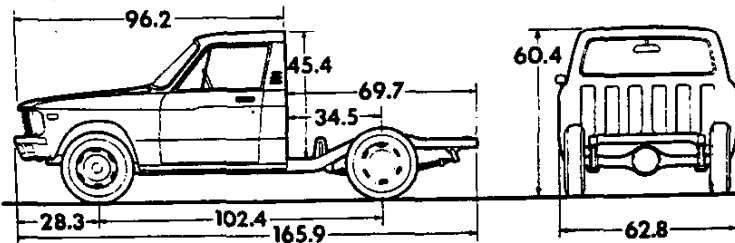
Pickup—E63

Chassis-Cab—ZW9



Cab to Axle (CA)

102.4\"/>



Model	Body Ordering Code	Engine No. Cyl.	Curb Weight (lb)			Model Weights (lb)*			Ground Clearance (in)★
			Front	Rear	Total	Front	Rear	Total	
CL10503	E63	4	1340	1085	2425	1485	1240	2725	7.5
CR10503 (4-Wheel Drive)	E63	4	1470	1115	2585	1615	1270	2885	7.5
CL10503	ZW9	4	1370	860	2230	1515	1015	2530	7.3
CL10803	E63	4	1400	1115	2515	1565	1250	2815	7.5

★ Dimensions with standard equipment, unloaded.

* Model Weights include curb weight plus occupants (standard seating capacity x 150 lbs.) Total Model Weight may vary as much as ±150 lbs. to allow for production build variation.

GVWR SELECTOR

‡Maximum Ratings			Minimum Equipment Required for GVW Rating		
GVW Rating (lb)	▲GAWR (lb)		Tires, Front	Tires, Rear	Chassis Equipment
	Front	Rear			
3550◆	1660	2080	E78-14B (4PR)	E78-14B (4PR)	Standard
3930@	1660	2540			
4150■	1830	2540	F70-14B (4PR)	F70-14B (4PR)	Standard
3750●	1830	2080			

‡ GAWRs shown are the maximum for each axle with the equipment listed.

▲ GAWR—Gross Axle Weight Rating.

◆ 102.4 in. wheelbase pickup models only.

@ 102.4 in. wheelbase chassis-cab models only.

■ 117.9 in. wheelbase models only.

● 4-Wheel-Drive model only.

LUV PICKUP & CHASSIS-CAB (SERIES 9)

POWER TEAMS

ALL STATES

ENGINE	TRANSMISSION	REAR AXLE	
Type and Code	Type	Capacity (lb)	Ratio
■110.8 2-bbl 4 cyl. (Standard Engine)	4-Speed (Std)—MM4	3500	●3.73—2 WD; 4.10—4 WD
	▲Automatic—MX1		4.10

▲Not available on 4-wheel-drive models.

■Available for registration in the state of California when California Emission Certification is ordered.

●4.10 ratio on Chassis-Cab models.

ENGINE RATINGS

SAE Net Ratings @ 85°F	110.8 2-bbl 4 cyl.
Net Horsepower.....	80 @ 4800 rpm
Net Torque, lb-ft.....	95 @ 3000 rpm

**LUV
PICKUP AND CHASSIS-CAB
SERIES 9
VEHICLES WITH STANDARD EQUIPMENT AT POINT OF ENTRY**

Description	Model Number	Body Code	Wheel-base	Factory D&H [§]	List Price	Mfr's Suggested Retail Price [◇]	Group Number
◆ 4-Cylinder 110.8-2 BBL Engine—Engine Ordering Code L10							
2-Wheel Drive							
Pickup.....	CL10503	E63	102.4"	11.35	4265.00	4276.35	37
Pickup.....	CL10803	E63	117.9"	11.35	4475.00	4486.35	37
Chassis-Cab.....	CL10503	ZW9	102.4"	11.35	4121.00	4132.35	37
4-Wheel Drive							
Pickup.....	CR10503	E63	102.4"	14.10	5975.00	5989.10	37

★ Manufacturer's Suggested Retail Prices do not include applicable destination charges, state and local taxes, license fees, options or accessories.
◆ Refer to Power Team Chart for California Requirements.

OPTIONS AND ACCESSORIES WHEN INSTALLED BY CHEVROLET

Description	Option Number	Factory D&H [§]	List Price	Mfr's Suggested Retail Price [◇]
Air Conditioning: Pickup only.....	C60	N.A.	525.00	525.00
Bumper Equipment:				
<i>Bumpers</i>				
Rear Step, Chromed.....	V42	N.A.	100.00	100.00
Rear Step, Painted, Pickup only.....	V43	N.A.	85.00	85.00
Guards, Front, Chromed.....	V31	N.A.	33.00	33.00
Decals: Sport Stripe				
102.4 W.B. Pickup Only.....	D88	N.A.	107.00	107.00
117.9 W.B.....	D88	N.A.	116.00	116.00
4x4 Decal Package: CR10503 model only.....	DL1	N.A.	107.00	107.00
Emission Systems:				
<i>California Emission Certification.</i> Includes all testing, equipment and/or certification necessary for registration in the State of California.....				
	YF5	N.A.	100.00	100.00
<i>Standard Emission Equipment</i>				
	NA5	NO ADDITIONAL CHARGE		
Exterior Decor Package: Includes belt line, windshield and roof drip moldings and full wheel covers.....				
	YA1	N.A.	86.00	86.00
Mikado: Includes Mikado nameplate on glove compartment door and side panels at rear; 3-spoke steering wheel with stitched leather-grained vinyl covered rim and Chevrolet emblem in center cap; shift lever knob with stitched leather-grained vinyl cover; door trim panels with deluxe center insert and carpet kick panels; color-keyed carpeting; seat belts with automatic locking retractors; deluxe door actuated dome lamp; lighted ash tray and dual horns.				
With Bench Seat.....	YH9	N.A.	199.00	199.00
With Bucket Seats.....	YH9	N.A.	310.00	310.00
Mirrors, Exterior: Below-Eye-Line Type, Stainless Steel..	DG4	N.A.	53.00	53.00
Radio Equipment:				
AM.....	U63	N.A.	82.00	82.00
AM/FM.....	U69	N.A.	155.00	155.00
Shield Plate Package: CR10503 model only. Includes protective plate on fuel tank, transfer case and lower radiator tank	NV9	N.A.	130.00	130.00
Tires:				
<i>Passenger Type Blackwall E78-14/B Tubeless</i>				
Standard on CL105-10803 models only.				
Front.....	XEG	NO ADDITIONAL CHARGE		
Rear.....	YEG	NO ADDITIONAL CHARGE		
Spare.....	ZEG	NO ADDITIONAL CHARGE		
<i>Passenger Type White Stripe E78-14/B Tubeless</i>				
Available on CL105-10803 Pickup models only.				
Front.....	XEH	N.C.	15.60	15.60
Rear.....	YEH	N.C.	15.60	15.60
Spare.....	ZEH	N.C.	7.80	7.80
<i>All Terrain Bias Banded White Lettered F70-14B Tubeless</i>				
Standard on CR10503 models only.				
Not available on CL105-10803 models.				
Front CR10503 only.....	XAH	NO ADDITIONAL CHARGE		
Rear CR10503 only.....	YAH	NO ADDITIONAL CHARGE		
Spare CR10503 only.....	ZAH	NO ADDITIONAL CHARGE		
Transmission: Automatic.....	MX1	N.A.	378.00	378.00
Window: Sliding Rear.....	A28	N.A.	81.00	81.00

§ D&H amounts reflect provision for pass through of tire weight tax imposed on manufacturer or importer of tires.
◇ State and local taxes not included.

NOTES

LUV PICKUP & CHASSIS-CAB

CAB & BODY FEATURES CAB CONSTRUCTION

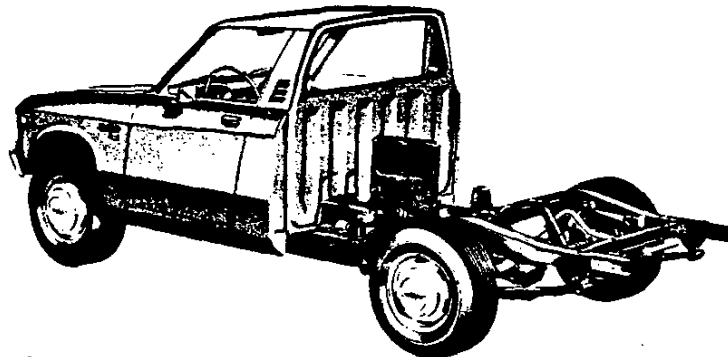
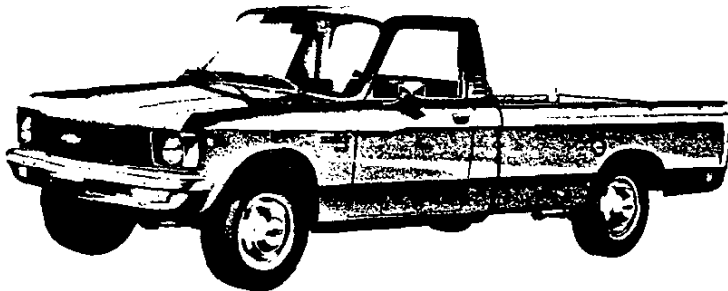
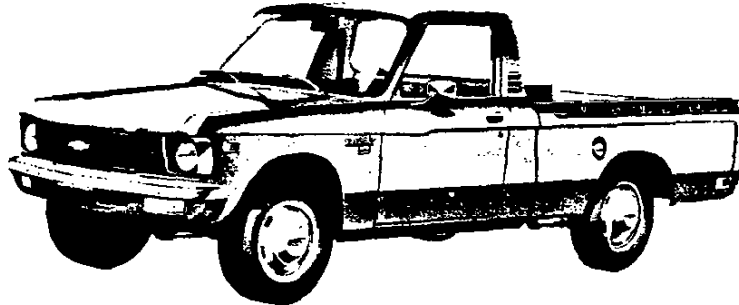
LUV PICKUP & CHASSIS-CAB

(SERIES 9)

STANDARD MODELS

The Standard Models Include the Following Items as Standard Equipment

EXTERIOR FEATURES



Bright appearance items:

- Chevrolet Emblem: Mounted center of grille with bright outer edge and ochre paint fill
- Chrome front bumper
- Chrome LH exterior mirror
- Door entry handles
- Door lock cylinder assemblies
- Fuel filler cap (Pickup models only)
- Grille: Bright upper and lower moldings
- Headlamp bezel bright trim
- LUV nameplates: Side of each front fender

Color: See Interior & Exterior Color Selection Chart

Hub caps: Painted white with ochre and black paint fill in Chevrolet emblem (2 WD models only)

Lettering "CHEVROLET" tailgate: Painted black on all exterior colors except Black, where the letters are painted white. (Pickup models only)

4 x 4 Decal: On tailgate (4 WD models only)

Lights:

Combination parking/direction/hazard: two front
Combination rectangular rear lamps: Pickups—tail/stop in upper section w/red lens and reflector; hazard/direction signal in middle section w/amber lens; back-up lamp in lower section w/clear lens. Chassis-Cabs—wiring only to end of frame for tail/stop/hazard/direction signal/back-up/license plate.

Headlamps: Two

License Plate: single rear (Pickup models only)

Side marker lights: two front (all models) and two rear (Pickup models only)

Note: The EGR fuel cannister shown is temporarily mounted above the fuel tank, and may be relocated by the body installer; but it must remain in an upright position. Instructions in Owner's Manual.

4-Wheel-Drive Model

- **Mirror:** LH chrome fixed arm with rectangular head
- **Pickup Box:** All steel; 6 ft box—8 cargo hold-down eyes with 3 on outside edge of each side top rail and 2 on outside edge of tailgate top rail; 8 ft box—10 cargo hold-down eyes with 4 on outside edge of each side top rail and 2 on outside edge of tailgate top rail.
- **Spare tire carrier:** Mounted to pickup box with mechanical winch and chain for raising and lowering tire assembly. (The winch assembly and spare tire and wheel are provided as loose items on Chassis-Cab models only)
- **Tools:** Mechanical jack, combination jack handle/wheel nut wrench/hub cap tool, and spare tire winch handle
- **Wheels:** 2 WD—Disc; Painted White
4 WD—Styled; Painted White
- **Windshield Wipers and Washers:** Electric, 2-speed wipers, coordinated washers

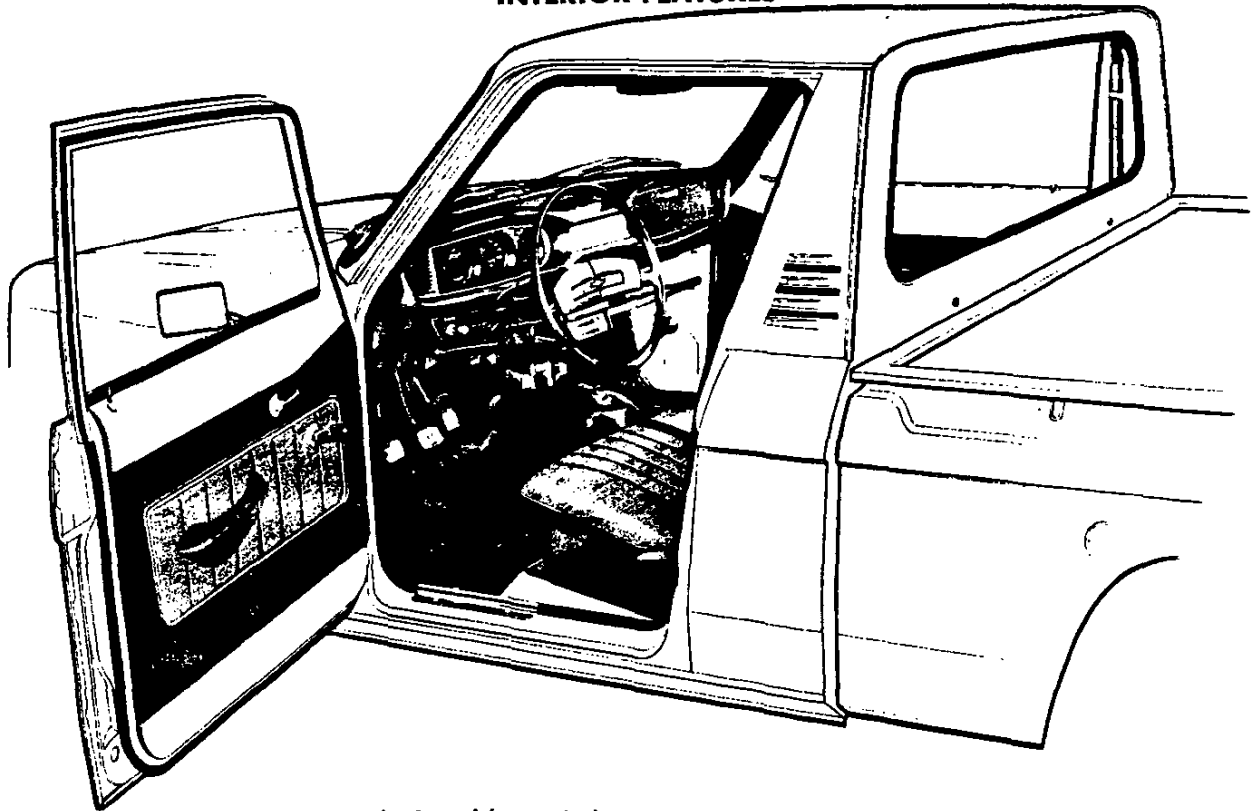
LUV PICKUP & CHASSIS-CAB

(SERIES 9)

STANDARD MODELS

The Standard Models Include the Following Items as Standard Equipment

INTERIOR FEATURES



● **Air Vents:** RH & LH instrument panel side and foot vents; individually controlled. Also flow-thru with air being exhausted through outlets located in upper rear quarter panels

● **Armrests:** Color-keyed RH & LH

● **Ashtray:** With cigar lighter

● **Colors:**

Painted interior: Same as exterior color choice
Trim—Color choice of saddle, red or blue

● **Dome Lamp** with switch; over rear window

● **Door Locks:** Inside pushbutton lock/release

● **Door Seals:** Constant-section sponge rubber

● **Door trim panels:** Embossed vinyl

● **Floor Mat:** Color-keyed molded vinyl

● **Glove Compartment:** In RH side of instrument panel, with door

● **Headliner:** Color-keyed vinyl

● **Heater and Defroster:** Outside air heater with manual water flow control for temperature; automatic blower operation with ignition switch on for power ventilation system

● **Instrument Panel:** Steel with vinyl-coated foam padding

● **Instruments:**

Gages: Speedometer, odometer, temperature and fuel

Switches: Exterior/instrument lights; dome lights; wiper-washer; ignition; combination steering column switch for direction signals by moving lever up and down and headlight beams by moving lever fore and aft; hazard warning on steering column

Warning Lights: Generator, oil pressure, parking brake, direction signals and high beam

● **Insulation and Sound Deadening**

● **Interior Lights:** Instrument controlled by main light switch and dome with separate switch

● **Mirror, Rearview:** Inside mounted to windshield header w. impact break-away arm

● **Seat:** Full-width with latched forward fitting back for access storage area behind seat; textured all-vinyl trim

● **Seat and Shoulder Belts:** Color-keyed; automatic locking; retractable for driver and passenger

● **Steering Wheel:** Molded plastic; 2-spoke; 15.7" diameter; cent horn bar

● **Sunshades:** Color-keyed; LH and RH vinyl trimmed

LUV PICKUP & CHASSIS-CAB

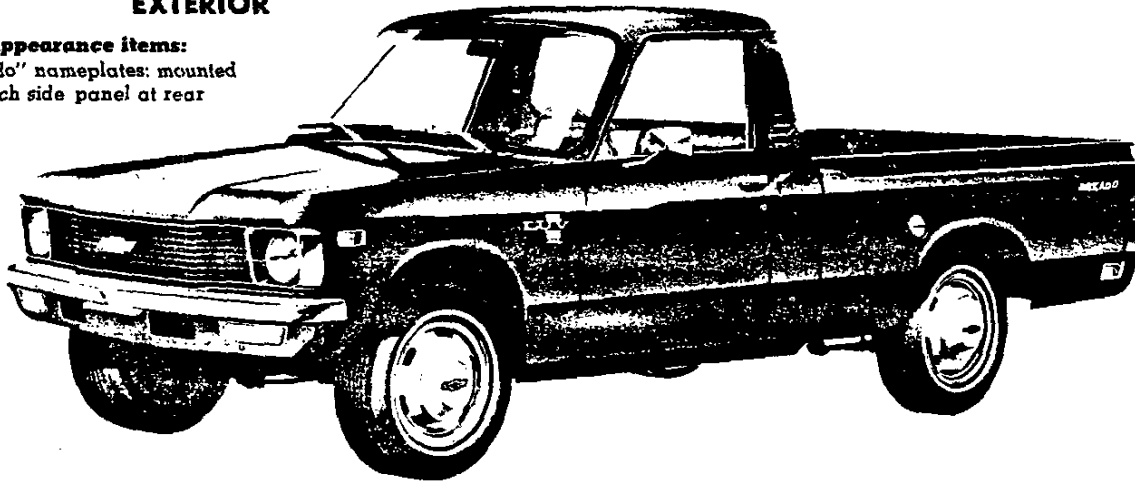
(SERIES 9)

MIKADO MODEL OPTION—RPO YH9

(This option includes all standard items plus the additions or substitutions listed below)

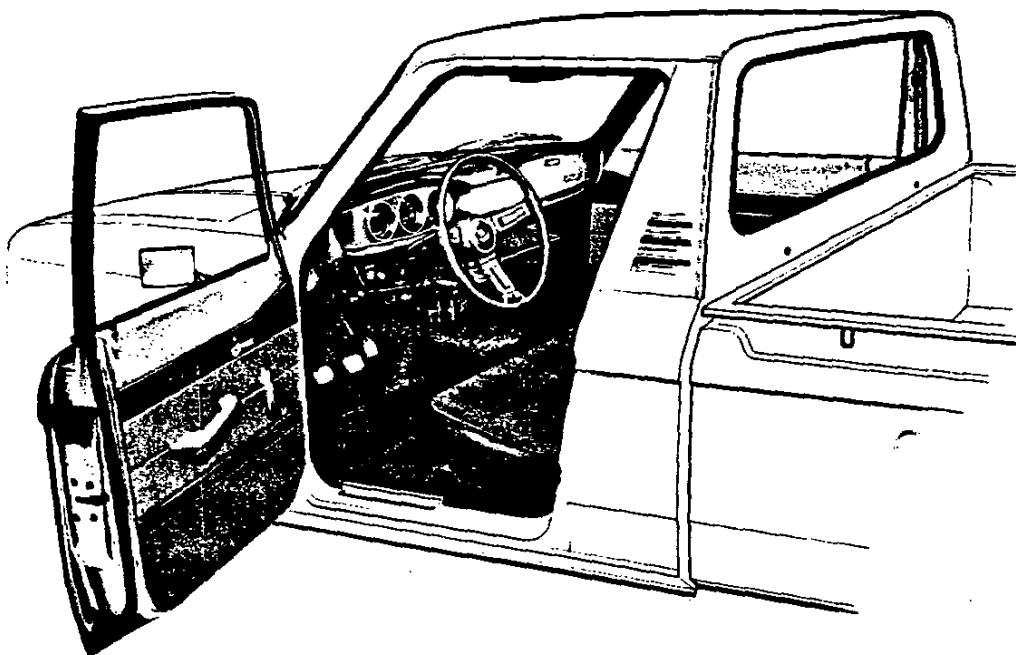
EXTERIOR

- **Bright appearance items:**
"Mikado" nameplates: mounted on each side panel at rear



INTERIOR

- **Ash Tray:** Lighted
- **Bright appearance items:**
"Mikado" nameplate mounted on glove box door
Chevrolet Emblem: in center cap of steering wheel
- **Carpeting:** Color-keyed
- **Dome Lamp:** Brighter lamp, with door-actuated switches
- **Door Trim Panels:** Deluxe cloth in blue, red or saddle and color-keyed carpet kick panel
- **Horn:** Dual note
- **Seat:** Choice of: 1) Deluxe cloth bench in blue, saddle or red, 2) Deluxe cloth bucket seats in red (with red, black or white exterior paint only and at added cost)
- **Shift Lever Knob:** Stitched, leather-grained urethane covered knob
- **Steering Wheel:** 3-spoke; stitched, leather-grained urethane covered rim

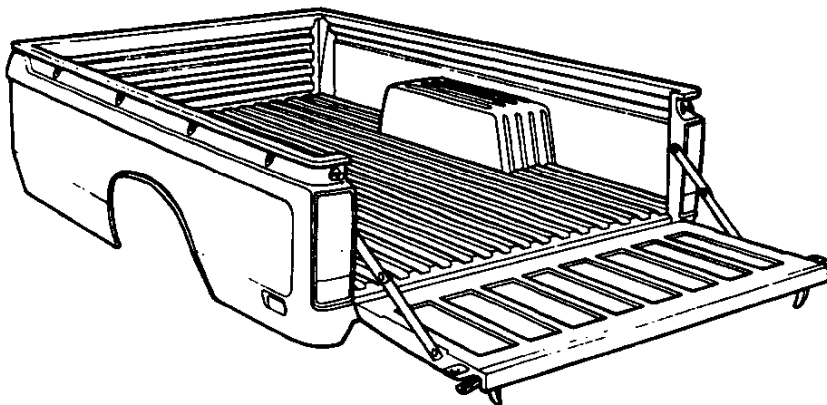
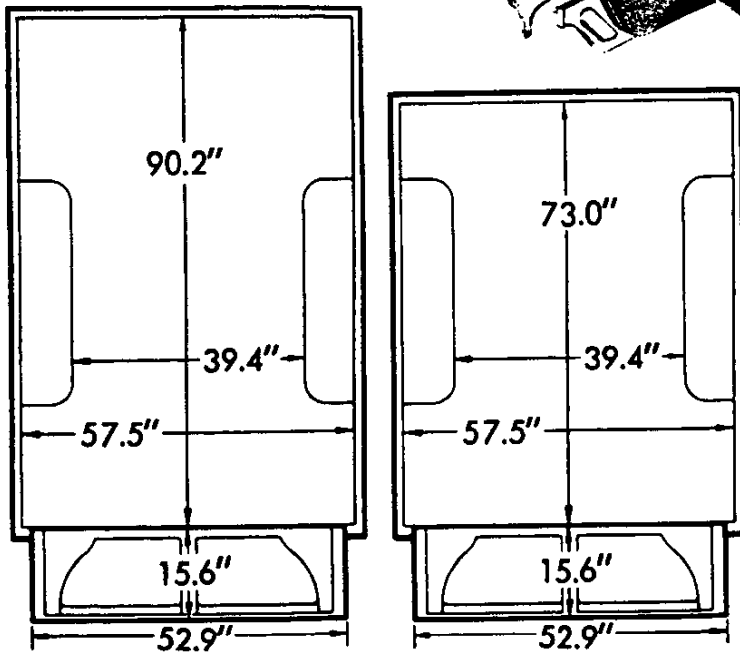
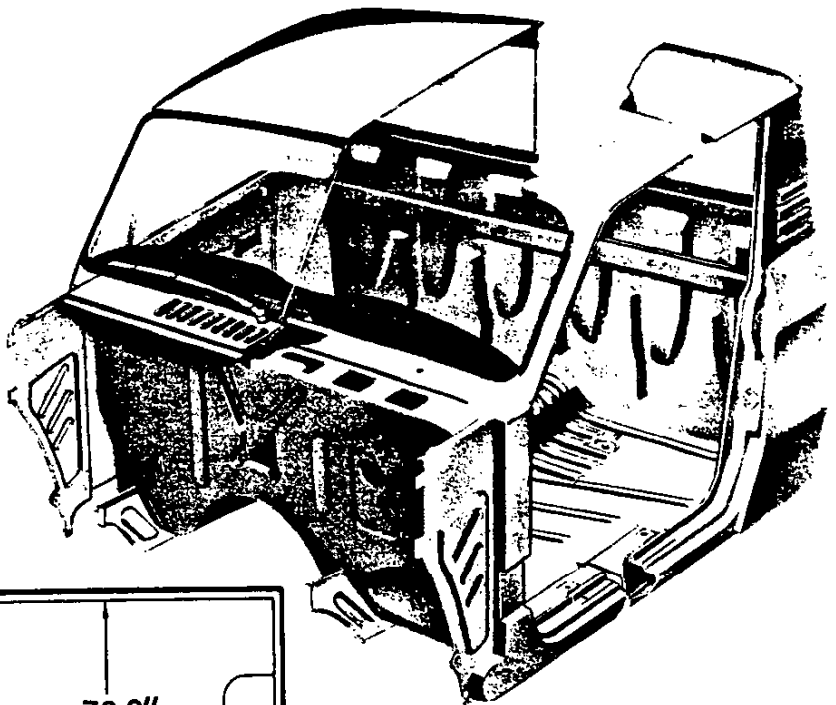


LUV PICKUP & CHASSIS-CAB

(SERIES 9)

Cab Construction

The cab is a 2-door, 2-passenger unit utilizing all-steel, welded construction. A plenum chamber with high level, screened air intake is incorporated in the front end structure for interior ventilation. Single-wall construction is utilized throughout the remainder of the cab except in the upper rear quarter areas. Zinc-rich primer or plastisol is applied to several areas to reduce sheet metal corrosion. Drip rails are used at the sides of the roof panel. Lower body joints are filled with pumpable sealer. A 6-point mounting system is utilized for the integrated cab and front body structure. All mounts are the double rubber biscuit type.



Pickup Box

The all-steel, welded pickup box is built in both 6- and 7.5-foot nominal lengths with approximate 38 and 47 cubic foot capacities respectively. Integral skid strips are incorporated in the load floor with reinforcements provided at the outer ends of the numbers three, four and five cross sills. Single wall construction is utilized for the side panels and double wall construction is used for the tailgate. Eight cargo hold-down eyes of heavy-gage wire are provided on 6-ft. models and ten are provided on 7.5-ft. models. The 6-ft. box has three located at the outside edge of each side panel top rail while the 7.5-ft. box has four on each side panel top rail. Both models employ two at the outside edge of the tailgate top rail. The grain tight tailgate, with two hinges, is secured by left and right hand over-center latches.

LUV PICKUP & CHASSIS-CAB (SERIES 9)

INTERIOR AND EXTERIOR SELECTION CHART

INTERIOR TYPE		Decor Option	INTERIOR TRIM COLOR AND CODE			
			Blue	Red	Saddle	
Standard Vinyl Bench Seat		Std.	VDD1		VSS1	
Mikado Custom Cloth Bench Seat		YH9	LDD1	LRR1	LSS1 ▲	
Custom Cloth High Back Bucket Seat				LRR4 *		
EXTERIOR COLORS	"4 x 4" & "SPORT" Decal Availability (Pickups Only)	SOLID PAINT CODE				
		Primary	Secondary			
Black	Red/Orange	86	86		X	X
* Light Blue	Lt. Blue/Dk. Blue	20	20	X		
* Crimson Red	Red/Orange	70	70		X	X
* Strato White	Red/Orange	12	12		X	X
	Lt. Blue/Dk. Blue			X		
Jasmine Yellow	Red/Orange	53	53			X

* Available only when Crimson Red Strato White or Black exterior is ordered.

▲ Available only when Jasmine Yellow exterior is ordered.

* Not available on Chassis-Cab models.

LUV PICKUP WITH "SPORT" DECAL PACKAGE—RPO D88

