

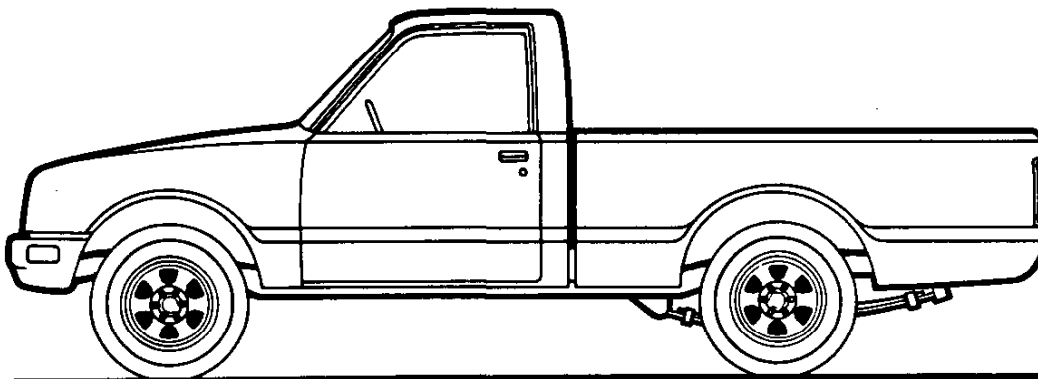
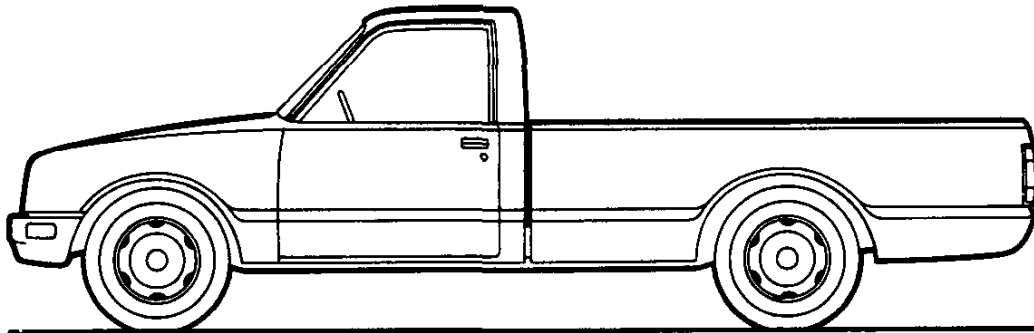
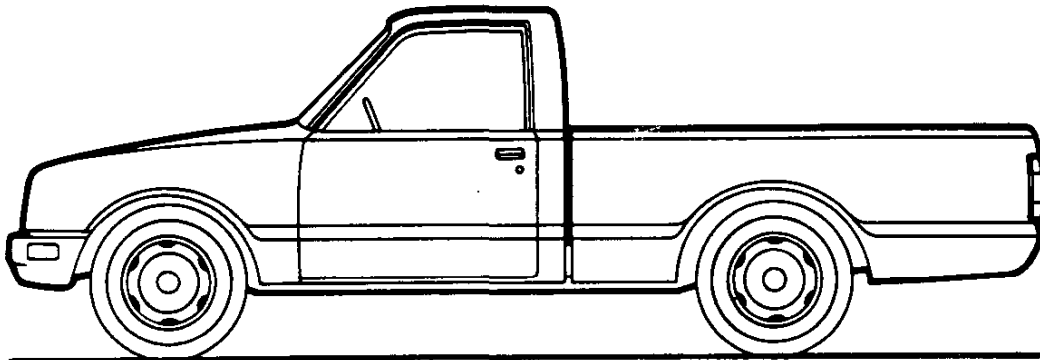
ORIGINAL

1981

LUV PICKUP

(SERIES 11)

MODEL SELECTOR



SERIES	MODEL NUMBER		BODY ORDERING CODE
	6' BOX	7½' BOX	
11 (2 Wheel Drive)	CL10503	CL10803	E63
11 (4 Wheel Drive)	CR10503	—	E63

LUV PICKUP

(SERIES 11)

STANDARD SPECIFICATIONS

(See Blue Tab Section for Specification Details)

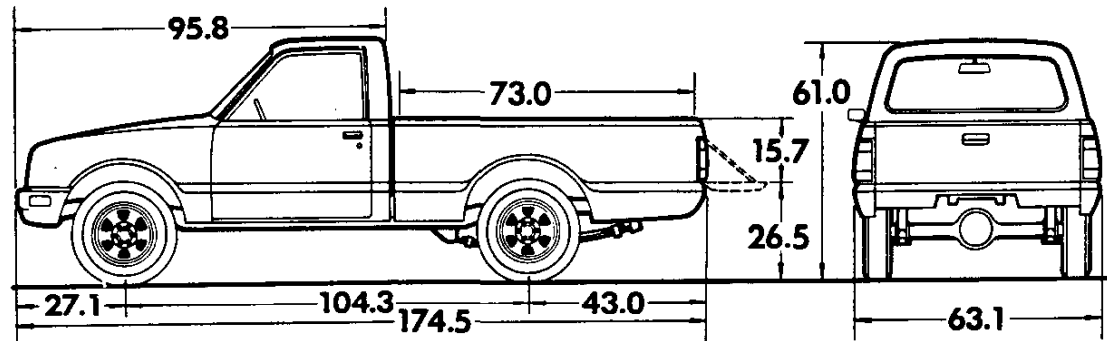
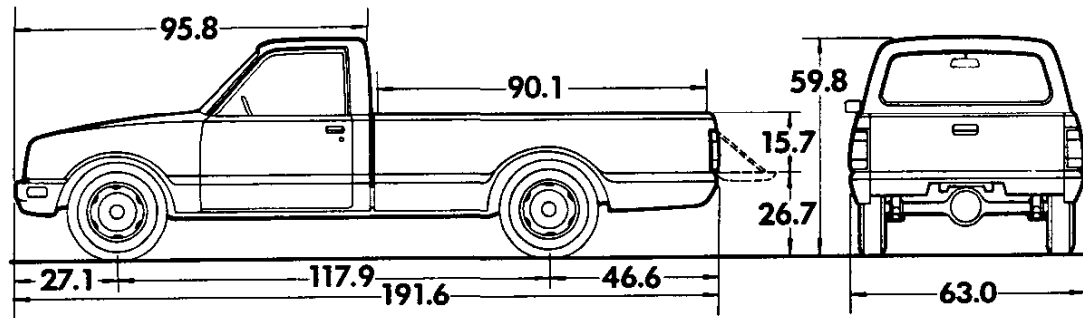
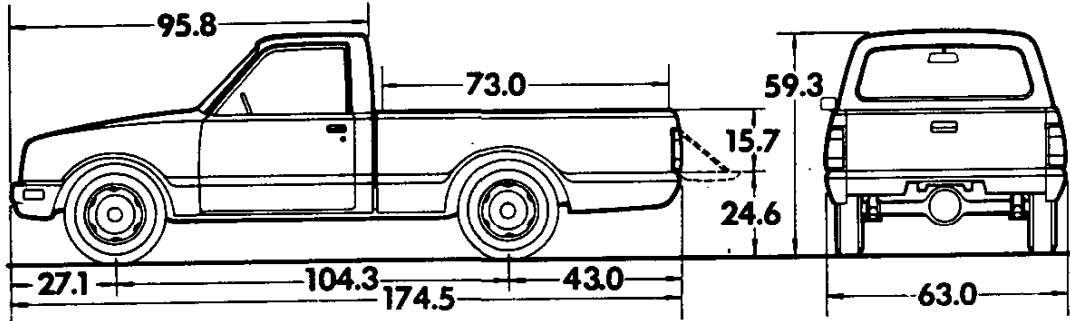
	CL10503-CL10803	CR10503
Engine	110.8 cu. in. (1817 cc)	
Base equipment—4 cyl.		
Clutch	7.87" O.D.	8.46" O.D.
Air Filter	Wet-paper element; replaceable	
Oil Filter	Throwaway type	
Exhaust System	Single; outside zinc-plated	
Emission Control Systems	Meet Government Requirements	
Suspension, Front	Independent; Torsion Bar	Independent; Driving Axle, Torsion Bar
Capacity—104.3" WB models	1660 lb.	1830 lb.
—117.9" WB models	1830 lb.	—
Axle Ratio	—	4.10
Torsion Bars @ Ground—104.3" WB models	831 lb. ea.	915 lb. ea.
—117.9" WB models	915 lb. ea.	—
Stabilizer Bar—104.3" WB models	.71" dia.	.79" dia.
—117.9" WB models	.79" dia.	—
Shock Absorbers	Direct, double acting; 1" dia.	
Hubs—Free Wheeling	—	Standard
Suspension, Rear	2-stage Leaf springs/Hypoid	
Axle Capacity	3500 lbs.	
Axle Ratio	3.42	4.10
Springs @ Ground—104.3" WB models	1041 lb. ea.	1041 lb. ea.
—117.9" WB models	1325 lb. ea.	—
Shock Absorbers	Direct, double acting; 1" dia.	
Brakes	Hydraulic; Self-adjusting	
Front	Disc; 10.16" Rotor	
Rear	Drum; 10.0" x 1.97"	
Booster	Bendix; vacuum	
Parking	Cable to rear wheels	
Electrical	12 volt; 275 CCA ♦ @ 0°F.	
Battery		
Generator	40 amp.	50 amp.
Frame	Box section; ladder type	
Fuel Tank (nominal capacity)—104.3" WB	13.2 gal.	13.2 gal.
—117.9" WB	19.1 gal.	—
Steering Gear Type	Recirculating ball	
Transmission	Fully synchronized 4-speed	
Shift location	Floor	
Transfer Case	—	2-Speed
Tires (tubeless)	(5) E78-14B (4PR)	(5) F70-14B (4PR) White Lettered
Tire Carrier, Spare	Winch/chain unit; mounted to frame crossmember under pickup box at rear	
Wheels	(5) Disc; 14" x 5"	(5) Styled; 14" x 5.5"

♦ CCA-Cold Cranking Amps

LUV PICKUP (SERIES 11) Body Ordering Code: E63

Cab to Axle (CA)

104.3" WB - 34.5"
117.9" WB - 50.0"



Model	Body Ordering Code	Engine No. Cyl.	Curb Weight (lb)			Model Weights (lb)*			Ground Clearance (in)*
			Front	Rear	Total	Front	Rear	Total	Minimum
CL10503	E63	4	1355	1020	2375	1573	1252	2825	7.5
CR10503 (4-Wheel Drive)	E63	4	1485	1110	2595	1703	1342	3045	7.8
CL10803	E63	4	1415	1055	2470	1659	1261	2920	7.6

* Dimensions with standard equipment, unloaded.

* Model Weights include curb weight plus occupants (standard seating capacity x 150 lbs.). Total Model Weight may vary as much as ±150 lbs. to allow for production build variation.

LUV PICKUP (SERIES 11)

GVWR SELECTOR

REFER TO FOREWORD—GENERAL INFORMATION SECTION, PAGE 11 FOR INCOMPLETE VEHICLE CURB WEIGHT AND FRONTAL AREA DATA.

‡Maximum Ratings			Minimum Equipment Required for GVW Rating		
GVW Rating (lb)	†GAWR (lb)		Tires, Front	Tires, Rear	Chassis Equipment
	Front	Rear			
3550♦	1660	2080	E78-14B (4PR)	E78-14B (4PR)	Standard
4150•	1830	2540			
3750•	1830	2080	F70-14B (4PR)	F70-14B (4PR)	Standard

‡GAWRs shown are the maximum for each axle with the equipment listed.

†GAWR—Gross Axle Weight Rating.

♦104.3 in. wheelbase pickup models only.

•117.9 in. wheelbase models only.

•4-Wheel-Drive model only.

POWER TEAMS

ALL STATES

ENGINE	TRANSMISSION	REAR AXLE	
Type and Code	Type	Capacity (lb)	Ratio
•110.8 2-bbl 4 cyl. (Standard Engine)	4-Speed (Std) — MM4	3500	3.42—2 WD; 4.10—4 WD
	†Automatic — MX1		4.10

†Not available on 4-wheel-drive models.

•Available for registration in the state of California when California Emission Certification is ordered.

ENGINE RATINGS

SAE Net Ratings @ 85°F	110.8 2-bbl 4 cyl.
Net Horsepower	80 @ 4800 rpm
Net Torque, lb-ft.	95 @ 3000 rpm

**LUV
PICKUP
SERIES 11
VEHICLES WITH STANDARD EQUIPMENT AT POINT OF ENTRY
VEHICLES WITH STANDARD EQUIPMENT**

Prices shown are effective with initial shipments of Series 11 LUV motor vehicles

Description	Model Number	Body Code	Wheel Base	Factory D&H(a)	List Price	Mfr's Sg't'd Retail Price★	Group Number
◆ 1.8 Litre (110.8 Cu. In.) 2 BBL Engine-Engine Ordering Code L10							
2-Wheel Drive							
Pickup.....	CL10503	E63	104.3"	11.35	5930.00	5941.35	34
Pickup.....	CL10803	E63	117.9"	11.35	6139.00	6150.35	34
4-Wheel Drive							
Pickup.....	CR10503	E63	104.3"	14.10	7851.00	7865.10	34

★ Manufacturer's Suggested Retail Prices do not include applicable destination charges, state and local taxes, license fees, optional equipment or accessories or special items or services.

◆ Refer to Power Team Chart for California Emission Certification Requirements.

OPTIONS AND ACCESSORIES WHEN INSTALLED BY CHEVROLET

Prices shown are effective with initial shipments of Series 11 LUV motor vehicles

Description	Added Weight (F R)	Option Number	Factory D&H(a)	List Price	Mfr's Suggested Retail Price◇
Air Conditioning:	79 2	C60	N.A.	603.00	603.00
Bumper Equipment:					
<i>Bumper, Rear Step. Chromed</i>					
104.3" WB.....	-13 42	V42	N.A.	122.00	122.00
117.9" WB.....	-7 36	V42	N.A.	122.00	122.00
<i>Bumper, Rear Step. Painted.</i>					
104.3" WB.....	-16 51	V43	N.A.	98.00	98.00
117.9" WB.....	-9 44	V43	N.A.	98.00	98.00
<i>Guards, Front Bumper. Chromed</i>	8 -2	V31	N.A.	38.00	38.00
Decals: Sport Stripe. Not available when DL1 Decals and Stripes are specified. Includes two colored stripes on hood, tailgate, pickup box side panels and cab. Also includes sport decal on pickup box side panels.					
104.3" WB.....	1 1	D88	N.A.	45.00	45.00
117.9" WB.....	1 1	D88	N.A.	50.00	50.00
Decals and Stripes: CR10503 only Includes 4 x 4 decals and stripes on rear side pickup box panels and tailgate.....					
	1 1	DL1	N.A.	111.00	111.00
Emission Systems: Dealer Note - One of the following emission options must be specified.					
<i>California Emission Requirements.</i> Includes all testing, equipment and /or certification necessary for registration in the State of California					
104.3" WB only.....	15 10	YF5	N.A.	111.00	111.00
117.9" WB.....	16 9	YF5	N.A.	111.00	111.00
<i>Standard Emission Equipment</i>	0 0	NA5	NO ADDITIONAL CHARGE		
Exterior Decor Package: Includes belt line, windshield, rear window and roof drip moldings. Also includes full wheel covers on CL10503 and CL10803. Includes Chrome center hubs on CR10503.....					
	4 4	YA1	N.A.	98.00	98.00
Mikado: Includes Mikado nameplate on glove compartment door and cab side panels at rear; deluxe steering wheel with Chevrolet emblem in center cap, shift lever knob with stitched leather-grained vinyl cover, door trim panels with deluxe center insert and carpet kick panels, color-keyed carpeting, door actuated dome lamp, day /night mirror and dual horns.					
With Bench Seat.....	6 2	YH9	N.A.	228.00	228.00
With Bucket Seats. Also includes Console with manual transmission.....	6 6	YH9	N.A.	354.00	354.00
Mirrors, Exterior: Below-Eye-Line-Type. 6" x 9". Stainless Steel.					
104.3" WB.....	4 2	DG4	N.A.	61.00	61.00

(a) D & H Charges on vehicle and optional equipment include reimbursement to Chevrolet Motor Division for any tax that it has paid, incurred or agreed to pay thereon.

◇ State and local taxes not included.

LUV

OPTIONS AND ACCESSORIES WHEN INSTALLED BY CHEVROLET

Prices shown are effective with initial shipments of Series 11 LUV motor vehicles

Description	Added Weight (F R)		Option Number	Factory D&H(a)	List Price	Mfr's Suggested Retail Price◇
FACTORY INSTALLED REGULAR PRODUCTION TIRES						
Paints, Exterior: Solid						
Non Metallic.....	0	0	ZY1	NO ADDITIONAL CHARGE		
Metallic.....	0	0	ZY1	N.A.	75.00	75.00
Radio Equipment: Pushbutton.						
AM.....	3	1	U63	N.A.	98.00	98.00
AM /FM.....	3	1	U69	N.A.	176.00	176.00
Tires:						
<i>(5) E78-14 /B (4 PR) Tubeless</i>						
<i>Passenger Type Blackwall</i>						
Front (Standard).....	0	0	XEG	NO ADDITIONAL CHARGE		
Rear (Standard).....	0	0	YEG	NO ADDITIONAL CHARGE		
Spare (Standard).....	0	0	ZEG	NO ADDITIONAL CHARGE		
<i>Passenger Type Whitewall.</i>						
Front.....	0	0	XEH	.04	19.20	19.24
Rear.....	0	0	YEH	.04	19.20	19.24
Spare.....	0	0	ZEH	.02	9.60	9.62
<i>(5) F70-14 /B Tubeless.</i>						
<i>All Terrain Bias Belted White Lettered CR10503 only</i>						
Front (Standard).....	0	0	XAH	NO ADDITIONAL CHARGE		
Rear (Standard).....	0	0	YAH	NO ADDITIONAL CHARGE		
Spare (Standard).....	0	0	ZAH	NO ADDITIONAL CHARGE		
Transmission: Automatic Includes Console.						
104.3" WB.....	30	10	MX1	N.A.	420.00	420.00
117.9" WB.....	31	9	MX1	N.A.	420.00	420.00
Window: Sliding Rear	1	1	A28	N.A.	92.00	92.00

(a) D & H Charges on vehicle and optional equipment include reimbursement to Chevrolet Motor Division for any tax that it has paid, incurred or agreed to pay thereon.
 ◇ State and local taxes not included.

LUV PICKUP

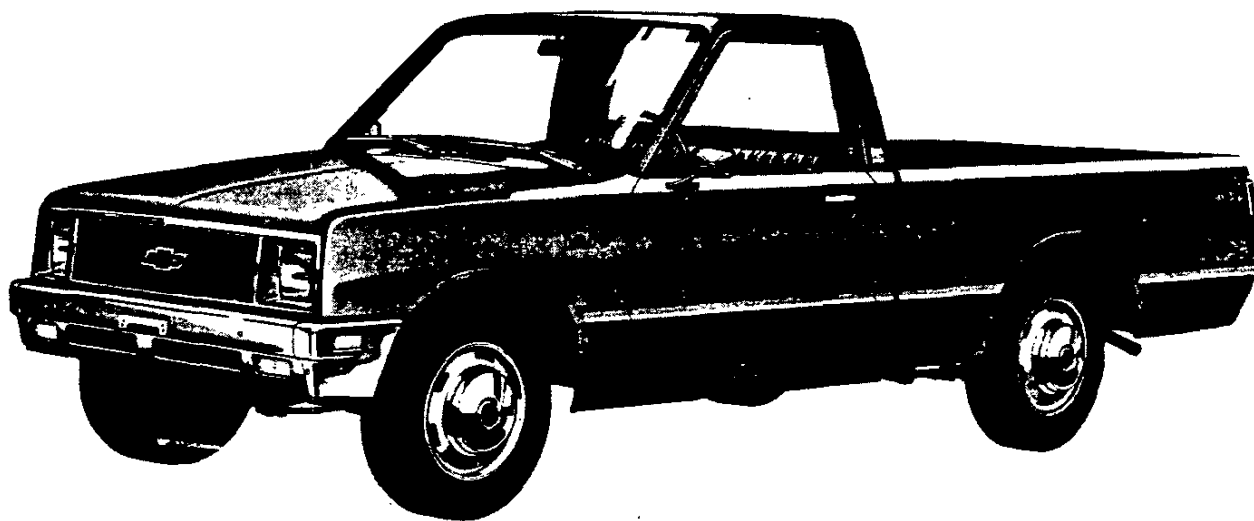
CAB & BODY FEATURES CAB CONSTRUCTION

LUV PICKUP

(SERIES 11)

STANDARD MODELS

The Standard Models Include the Following Items as Standard Equipment



EXTERIOR FEATURES

- **Bright appearance items:**

- Chevrolet Emblem: Mounted center of grille with bright outer edge and ochre paint fill
- Chrome front bumper
- Chrome LH/RH exterior mirrors
- Door entry handles
- Door lock cylinder assemblies
- Grille: Bright upper and lower moldings
- Headlamp bezel bright trim
- LUV nameplates: Side of each front fender. Bow-tie emblem on "B" pillars (4WD models also have multi-colored 4WD insert over the bow-tie)

- **Color:** See Interior & Exterior Color Selection Chart

- **Hub caps:** Chrome plated steel with ochre and black paint fill in Chevrolet emblem (2 WD models only)

- **Lettering "CHEVROLET" tailgate:** Painted black on all exterior colors except Black and Blue, where the letters are painted white

- **4WD Decal:** On tailgate (4 WD models only)

- **Lights:**

- Combination parking/direction/hazard: two front
- Combination rectangular rear lamps: Pickups—hazard/directional signal in upper section w/amber lens and reflector; tail/stop in middle section w/red lens; back-up lamp in lower section w/clear lens
- Headlamps: Two
- License Plate: single rear
- Side marker lights: two front

- **Mirror:** LH and RH chrome fixed arm with rectangular head

- **Pickup Box:** All steel; with 8 cargo hold-down hooks, four located at the inside edge of each side panel

- **Spare tire carrier:** Mounted to frame with mechanical winch and chain for raising and lowering tire assembly

- **Tools:** Mechanical jack, combination jack handle/wheel nut wrench/hub cap tool, and spare tire winch handle

- **Wheels:** 2 WD—Disc; Painted White
4 WD—Styled; Painted White

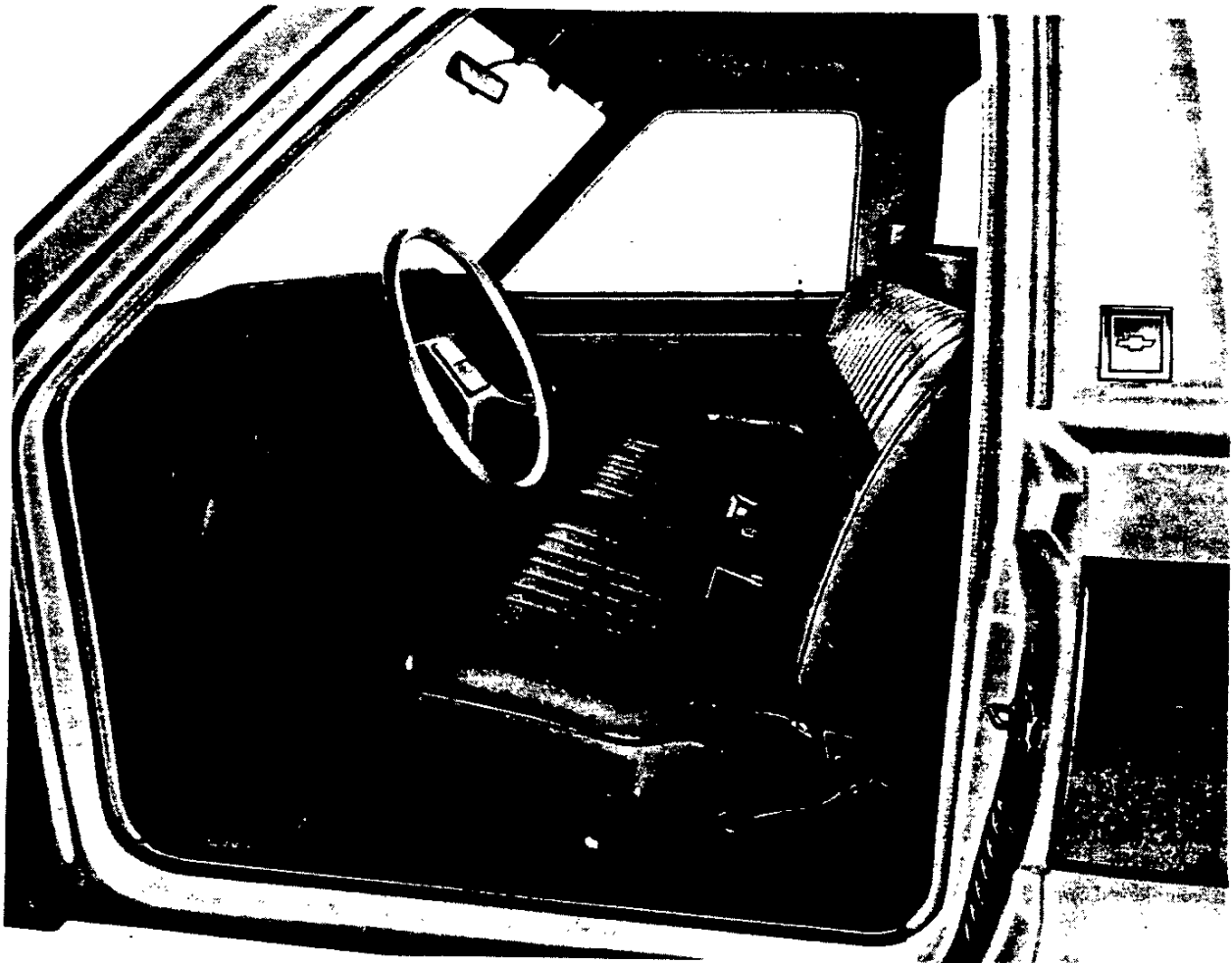
- **Windshield Wipers and Washers:** Electric, 2-speed wipers, demand-type washers

LUV PICKUP

(SERIES 11)

STANDARD MODELS

The Standard Models Include the Following Items as Standard Equipment



INTERIOR FEATURES

- **Air Vents:** RH & LH instrument panel side and foot vents; individually controlled. Also flow-thru with air being exhausted through the rear quarter panels
- **Armrests:** Color-keyed RH & LH
- **Ashtray**
- **Cigar Lighter**
- **Colors:**
Painted interior: Same as exterior color choice
Trim—Color choice of saddle or blue
- **Dome Lamp** with switch; over rear window
- **Door Locks:** Inside pushbutton lock/release
- **Door Seals:** Constant-section sponge rubber
- **Door trim panels:** Embossed vinyl
- **Floor Mat:** Color-keyed molded vinyl
- **Glove Compartment:** In RH side of instrument panel, with key-locking door
- **Headliner:** Color-keyed vinyl
- **Heater and Defroster:** Outside air heater with temperature control using air mixing and water control valves; blower operation on demand for power ventilation system
- **Instrument Panel:** Plastic with vinyl-coated foam padding
- **Instruments:**
Gages: Speedometer, odometer, temperature and fuel

Switches: Exterior/instrument lights; dome lights; ignition; combination steering column switch for direction signals by moving lever up and down, headlight beams by moving lever fore and aft; and windshield wiper and washer by turning lever to wipe and pressing lever in to wash; hazard warning on steering column

Warning Lights: Generator, oil pressure, parking brake, direction signals, high beam, 4-Wheel-Drive (CR10503 only)

- **Insulation and Sound Deadening**
- **Interior Lights:** Instrument controlled by main light switch and dome with separate switch
- **Mirror, Rearview:** Inside mounted to windshield header with impact break-away arm
- **Seat:** Full-width with latched forward fitting back for access to storage area behind seat; textured all-vinyl trim
- **Seat and Shoulder Belts:** Non-detachable combination lap and shoulder belts for outboard positions with emergency-locking retractors and switch in driver's lap belt retractor for buzzer warning system; lap belt with manual adjustment for center position. All seat belts are color-keyed with pushbutton type buckles
- **Steering Wheel:** Molded plastic; 2-spoke; 15.7" diameter; color-keyed with center horn button
- **Sunshades:** Color-keyed; LH and RH vinyl trimmed

February 2, 1981

LUV Pickup—Page C

LUV PICKUP

(SERIES 11)

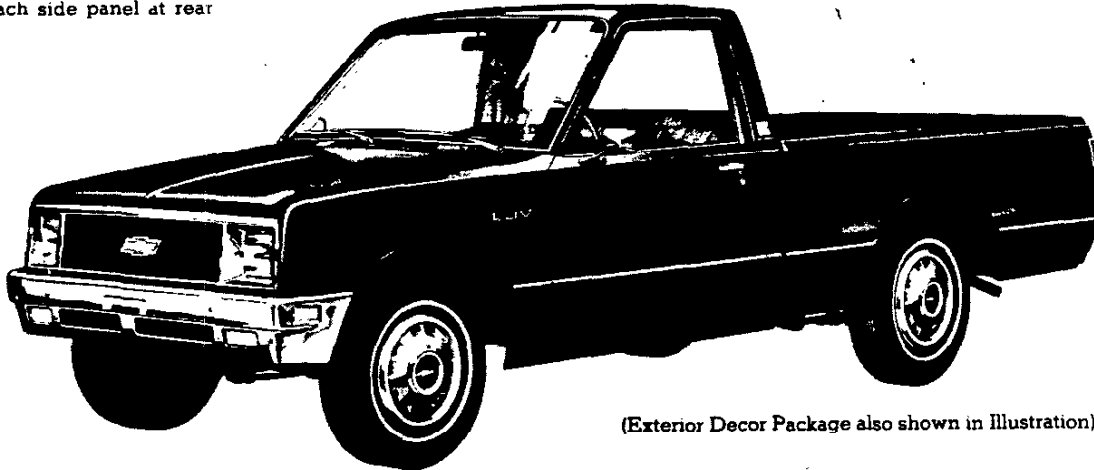
MIKADO MODEL OPTION—RPO YH9

(This option includes all standard items plus the additions or substitutions listed below)

EXTERIOR

• **Bright appearance items:**

"Mikado" nameplates: mounted on each side panel at rear



(Exterior Decor Package also shown in Illustration)

INTERIOR

• **Bright appearance items:**

"Mikado" nameplate mounted on glove box door
Chevrolet Emblem: in center cap of steering wheel
Trim on door and window regulator handles
Moldings on instrument cluster, side vent grilles, and heater/air conditioner control bezels

• **Carpeting:** Color-keyed

• **Dome Lamp:** Brighter lamp, with door-actuated switches

• **Door Trim Panels:** Deluxe cloth in blue or red and color-keyed carpet kick panel

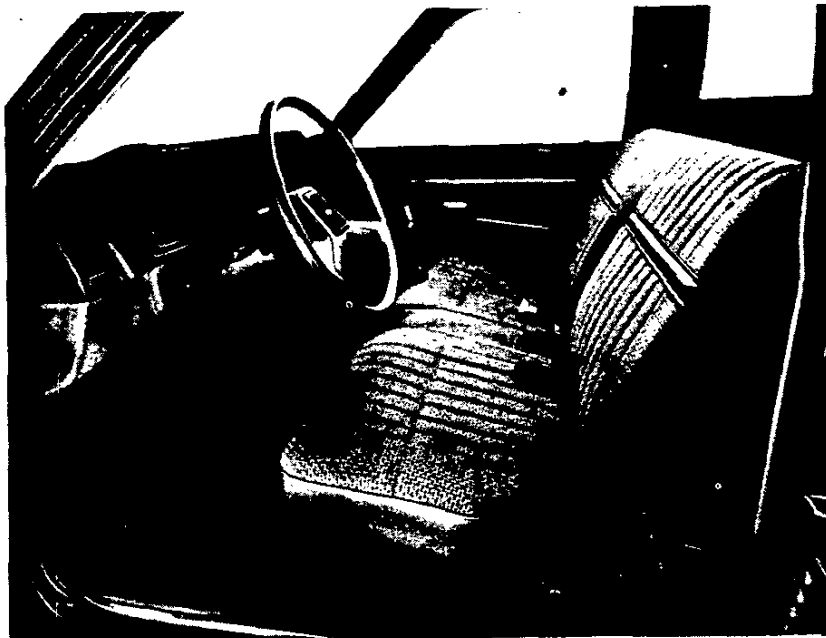
• **Mirror, Rear View Interior:** Day-night type

• **Seat:** Choice of: 1) Deluxe cloth bench in blue or red, 2) Deluxe cloth bucket seats in red or blue (at added cost)

• **Shift Lever Knob:** Stitched, leather-grained urethane covered knob

• **Steering Wheel:** Deluxe

• **Windshield Pillars:** Color-keyed vinyl covering



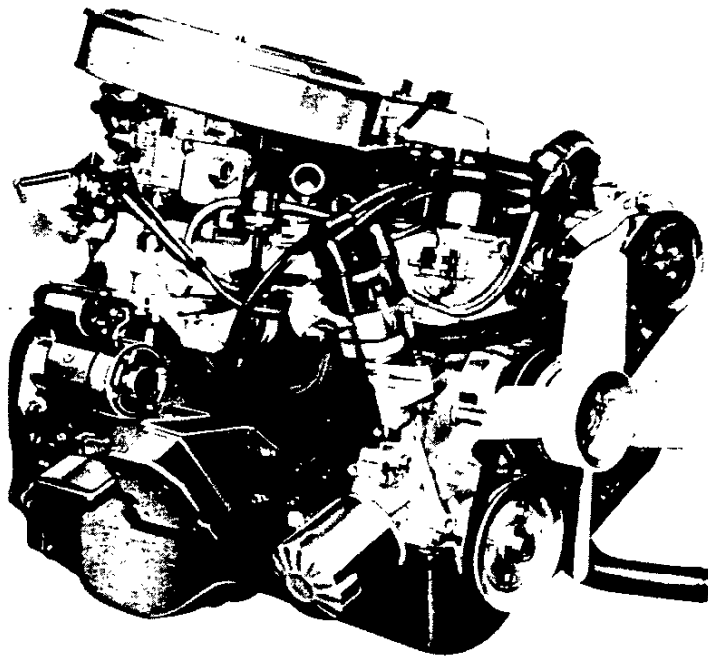
ENGINE & COOLING

INDEX

ENGINES	Page
LUV 4-Cylinder.....	2
SPECIFICATIONS—LUV 4-Cylinder ENGINE.....	3, 4
3.8 LITER (229 2-bbl) V6 ENGINE (El Camino).....	5
3.8 LITER (231 2-bbl) V6 ENGINE (El Camino).....	6
SPECIFICATIONS—3.8L/229 & 3.8L/231 V6 ENGINES.....	7, 8
4.1 LITER (250 2-bbl) HIGH TORQUE SIX.....	9
4.8 LITER (292 1-bbl) HIGH TORQUE SIX.....	10
SPECIFICATIONS—4.1L/250 & 4.8L/292 SIX ENGINES.....	11, 12
4.4 LITER (267 2-bbl) V8 ENGINE (El Camino).....	13
SPECIFICATIONS—4.4L/267 V8 ENGINE.....	14, 15
5.0 LITER (305 4-bbl) V8 ENGINE (El Camino).....	16
5.0 LITER (305 2-bbl) HIGH TORQUE V8.....	17
5.0 LITER (305 4-bbl) HIGH TORQUE V8 w/ESC.....	18
5.0 LITER (305 4-bbl) HIGH TORQUE V8.....	19
SPECIFICATIONS—5.0L/305 V8 ENGINES.....	20, 21
5.7 LITER (350 4-bbl) HIGH TORQUE V8.....	22, 23
SPECIFICATIONS—5.7L/350 V8 ENGINES.....	24, 25
5.7 LITER (350 cu. in.) V8 DIESEL.....	26
SPECIFICATIONS—5.7L/350 V8 DIESEL ENGINE.....	27, 28
7.4 LITER (454 4-bbl) HIGH TORQUE V8.....	29
SPECIFICATIONS—7.4L/454 V8 ENGINES.....	30, 31
COOLING SYSTEMS	
SPECIFICATIONS—STANDARD.....	32
SPECIFICATIONS—OPTIONAL.....	33, 34, 35
FUEL TANKS	
SPECIFICATIONS.....	36
EMISSION CONTROLS	
EMISSION CONTROL EQUIPMENT.....	37, 38, 39
GASEOUS FUEL CONVERSION	
GASEOUS FUEL CONVERSION INSTRUCTIONS.....	40

LUV 4-CYLINDER

Ordering Code L10



Applications

Standard: LUV

Optional: None

Basic Specifications

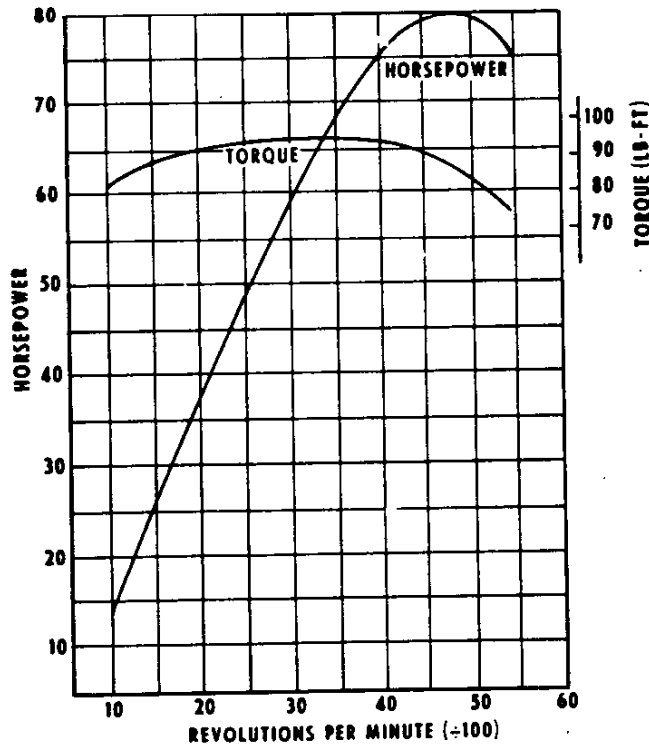
Engine type Overhead Cam In-line 4
 Piston displacement (Liter/Cu. In.) 1.8/110.8
 Bore & stroke (nominal) 3.31 x 3.23
 Compression ratio 8.5:1
 Carburetor type 2-barrel
 Exhaust Single

Test Procedures

These curves represent full throttle performance as obtained from a dynamometer test simulating actual operating conditions when the engine is in the vehicle, with ratings corrected to barometric pressure of 29.00" mercury and 85°F dry air.

Engine Ratings

SAE net horsepower (85°F) 80 @ 4800 rpm
 SAE net torque, lb-ft (85°F) 95 @ 3000 rpm



LUV 4-CYLINDER ENGINES

SPECIFICATIONS

		LUV 4-Cyl.
Basic Description		Four-cylinder in-line; overhead cam with cast iron block and aluminum cylinder head
Displacement (liters/cu. in.)		1.8/110.8
Bore & Stroke (in)		3.31 x 3.23
Compression Ratio		8.5:1
Firing Order		1-3-4-2
SAE Net Horsepower @ rpm		80 @ 4800
SAE Net Torque (lb-ft) @ rpm		95 @ 3000
Air Cleaner		Replaceable wet-paper element
Camshaft		
Intake Valve	Opens	21° BTDC
	Closes	65° ABDC
Exhaust Valve	Opens	55° BBDC
	Closes	20° ATDC
Intake Duration Ramp		266°
Exhaust Duration Ramp		255°
Carburetor		
Type		2-Barrel downdraft
Make		Hitachi; DCH-340
Venturi ID (in)		Pri. - .9; sec. - 1.2
Throttle Bore (in)		Pri. - 1.181; sec. - 1.339
Choke Control		Automatic
Connecting Rods		
Material		Forged steel
Length (in)		5.2557-5.2561
Bearings		Steel-backed with tri-metal
Crankcase Ventilation		Closed positive
Crankshaft		
Material		Heat-treated forged steel
Number of Counterweights		4
Main Journals (in)		2.2016-2.2022
Crankpin Journal (in)		1.9262-1.9268
Torsional Damper		None
Bearings		Steel-backed with tri-metal
Distributor		Nippon Denso Co., Ltd.; centrifugal & vacuum advance
Fuel Filters		
Carburetor		Nylon mesh screen
Fuel Tank		In-line throwaway type
Lubrication System		Full pressure
Main Bearings		Direct pressure
Camshaft Bearings		Direct pressure
Connecting Rods		Direct pressure
Valves & Tappets		Gravity
Cylinder Walls		Splash
Piston Pins		Splash

LUV 4-CYLINDER ENGINE

SPECIFICATIONS

	LUV 4-Cyl.
Oil Capacity (qts)	
With filter change	4.2
W/o filter change	3.8
Oil Filter	
Standard	Full flow; throwaway type
Capacity (pt)	0.8
Oil Pump	
Type	Trochoid
Capacity (gpm)	3.70 @ 1400 rpm
Normal Pressure (psi)	57
Pistons	
Type	Cam-ground
Material	Aluminum alloy
Skirt	Tin plated full
Head	Concave
Piston Pins	
Type	Semi-Floating
Material	Case hardened steel
Piston Rings	
Compression Rings	
Number	2
Type	1st: taper face; 2nd: taper face, under-cut
Material	1st: Chrome plated cast iron; 2nd: Cast Iron
Oil Control Rings	
Number	1
Type	Multi-piece
Material	Chrome plated steel
Thermostat	Fuji-Thompson Wax pellet, 180°F
Valve Train	
Type	Overhead cam rocker arm acting
Tappets	Mechanical—adjustable
Valve Lash	In: .006 Exh. .010
Intake Valves	
Material	Alloy steel and chrome plated stems
Head Diameter (in)	1.587—1.591
Face Coating	None
Seats	Sintered iron inserted in cylinder head
Exhaust Valves	
Material	Alloy steel and chrome plated stems
Head Diameter (in)	1.335—1.339
Face Coating	None
Seats	Sintered iron inserted in cylinder head
Rotators	None
Water Pump	
Type	Centrifugal
Capacity (gpm)	4.2 @ 6000 rpm

ENGINE & COOLING

NEW FOR 1981

- New, optional 5.0 liter (305 CID) V8 engine with 4-barrel carburetor and Electronic Spark Control (RPO LE9). High, 9.2 to 1 compression ratio produces fine performance. Operates on unleaded fuel with a sensor to detect detonation that might occur under some conditions of power demand. Sensor activates the Electronic Spark Control unit which, in turn, causes the distributor to back off on the spark advance.
- Other engine changes include improved engine lubricants, higher efficiency radiators, larger or additional canisters and improved air cleaners for reduced evaporative emissions, and revised exhaust systems, in specific applications, for reduced noise and back pressure.

ADDITIONAL CHEVY VALUE FEATURES

4.1 Liter (250 Cu. In.) L6 engine

- Staged 2-barrel carburetor for more efficient performance
- Cylinder head with integral intake manifold for improved engine operation
- Dual-takedown exhaust manifold for less exhaust back-pressure
- Short stroke to reduce friction
- Features 7 main bearings for durability, 12-counterweight crankshaft and torsional dampeners for smoothness.

4.8 Liter (292 Cu. In.) L6 engine

- Larger displacement for added load-hauling agility
- Same engine used in Chevy medium-duty trucks for its durability. Features include: aluminum alloy pistons, forged steel connecting rods, aluminized face intake valves, stellite faced exhaust valves with rotators and hardened seats.

5.0 Liter (305 Cu. In.) V8 engine

- Good performance, efficient operation on unleaded fuel.

5.7 Liter (350 Cu. In.) V8 engine

- Available for higher all-around performance requirements
- Four-barrel carburetor provides added power when needed
- Comes with cast-iron 4.00-in.-bore cylinder case with forged steel connecting rods.

5.7 Liter Diesel V8

- Lower operating costs
- Eliminates the need for ordinary tune-ups or spark plugs, carburetor, coil or distributor points
- Four-cycle design
- Precombustion chamber cylinder head for reduced noise and smoke
- Aluminum alloy pistons with three rings
- Three-inch-diameter main bearings
- Cast-iron regrindable crankshaft
- Rotary fuel injection pump
- Electric glow plug cold start system
- Seven-quart oil sump.

7.4 Liter (454 Cu. In.) V8 engine

- Available for big loads and heavy towing. This high-torque 454 V8 with a 4-barrel carburetor operates on regular grade gasoline. Camshaft is designed for added efficiency.

ENGINE & COOLING

ADDITIONAL CHEVY VALUE FEATURES

Early Fuel Evaporation

- Vacuum motor closes exhaust manifold heat valve on cold engine
- Hot gases flowing around inlet manifold preheat incoming fuel
- Fast warm-up, good drivability for all pickups except with 4.8 (292 Cu. In.) Six.

High Energy Ignition System

- Magnetic pulse generator, electronic module replace ignition points, condenser and rubbing block
- Coil design provides a spark up to 85% hotter than conventional system
- Solid-state design eliminates cost of replacing points, condenser
- Fires worn plugs
- Reduces cost of frequent plug replacement
- Fires lean or marginal mixtures
- Quick starts help reduce battery drain.

Catalytic converter

- Changes hydrocarbons and carbon monoxide to less harmful emissions
- Permits tuning engines for better drivability, increased fuel efficiency
- Stainless steel shell and exhaust pipe
- Standard on all pickups up to 8500 lbs. GVWR
- Requires use of unleaded fuel exclusively.

Coolant recovery system

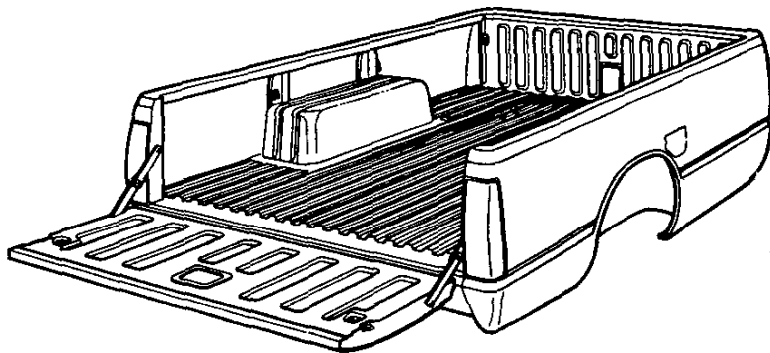
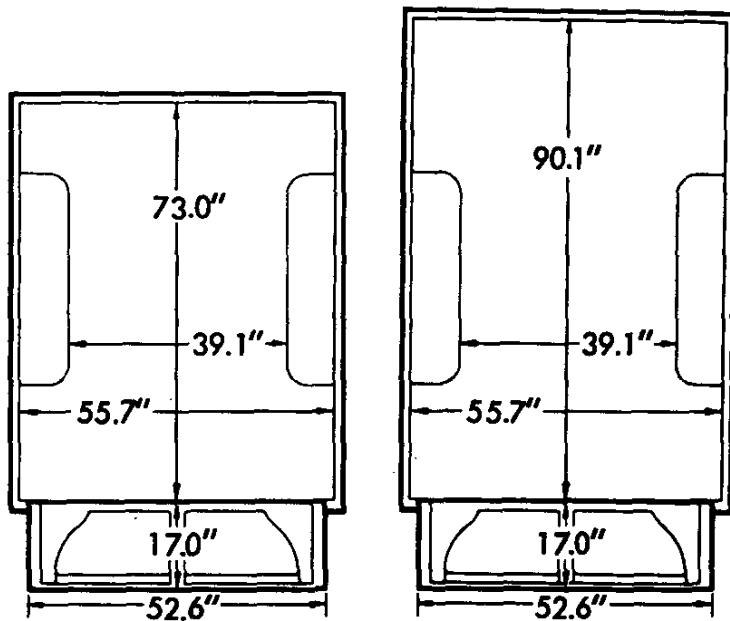
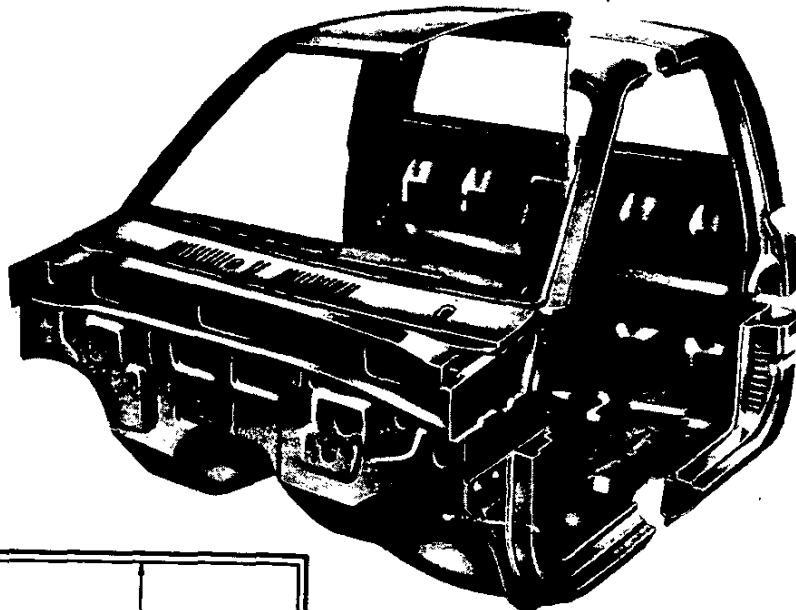
- Excess coolant collects in reservoir, returns to radiator automatically when it cools
- Helps maintain proper coolant levels
- Standard on all Chevrolet pickups.

LUV PICKUP

(SERIES 11)

Cab Construction

The cab is a 2-door, 3-passenger unit utilizing all-steel, welded construction. A plenum chamber with high level, screened air intake is incorporated in the front end structure for interior ventilation. Single-wall construction is utilized throughout the remainder of the cab except in the rear quarter areas. A cathodic ELPO primer is used throughout and galvanized sheet metal is used in several areas to reduce sheet metal corrosion. Drip rails are used at the sides of the roof panel. Lower body joints are filled with pumpable sealer. A 6-point mounting system is utilized for the integrated cab and front body structure. All mounts are the double rubber biscuit type.



Pickup Box

The all-steel, welded pickup box is built in both 6- and 7.5-foot nominal lengths with approximate 37 and 45 cubic foot capacities respectively. Integral skid strips are incorporated in the load floor. Vertical rear lamps with bright bezels are incorporated into the corner posts. Single wall construction is utilized for the side panels and double wall construction is used for the tailgate. Though no stake pockets are incorporated in the side panels, eight cargo hold-down hooks are provided with four located at the inside edge of each side panel.

The grain tight tailgate, with two hinges, is secured by left and right hand fork-type latches.

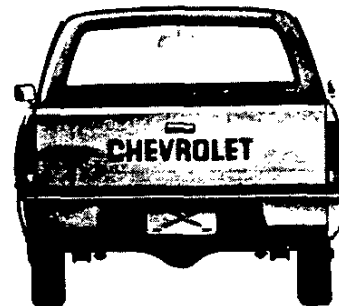
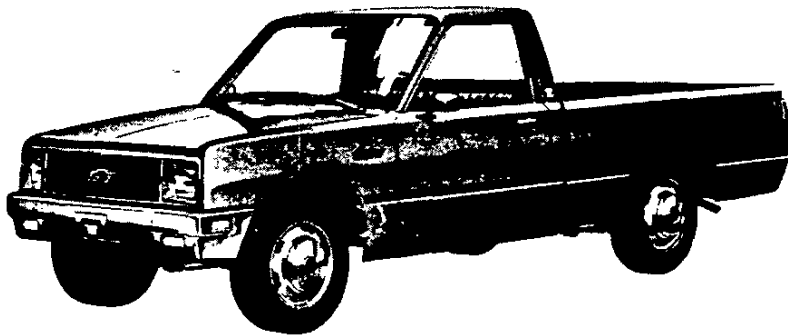
The tailgate can be held in the open horizontal position by left and right hand links, or it can be fully lowered if the links are unfastened. A center pull-type tailgate handle design is incorporated to improve utility.

LUV PICKUP (SERIES 11)

INTERIOR AND EXTERIOR SELECTION CHART

INTERIOR TYPE		Decor Option	INTERIOR TRIM COLOR AND CODE				
			Blue	Red	Saddle		
Standard Vinyl Bench Seat		Std.	VDD1		VSS1		
Mikado Custom Cloth Bench Seat Custom Cloth High Back Bucket Seat		YH9	LDD1	LRR1			
			LDD4	LRR4			
EXTERIOR COLORS	DECAL AVAILABILITY		SOLID PAINT CODE				
	RPO DL1 4WD Decal Package (4WD Models Only)	RPO D88 Sport Stripe Package	Primary	Secondary			
Midnight Black	Orange to Red	Dk. Orange/Lt. Orange	86	86		X	X
Metallic Blue	Lt. Blue to Dk. Blue	Dk. Orange/Lt. Orange	20	20	X		
Scarlet Red	Orange to Red	Dk. Orange/Lt. Orange	70	70		X	X
Frost White	Orange to Red	Dk. Orange/Lt. Orange	12	12			X
	Lt. Blue to Dk. Blue	Blue/Green			X		
Marigold Yellow	Orange to Red	Dk. Orange/Lt. Orange	53	53			X
	-	Blue/Green					X
Metallic Silver	Orange to Red	Dk. Orange/Lt. Orange	17	17		X	
	Lt. Blue to Dk. Blue	Blue/Green			X		

"SPORT" DECAL PACKAGE—RPO D88



"4 x 4" DECAL PACKAGE—RPO DL1

