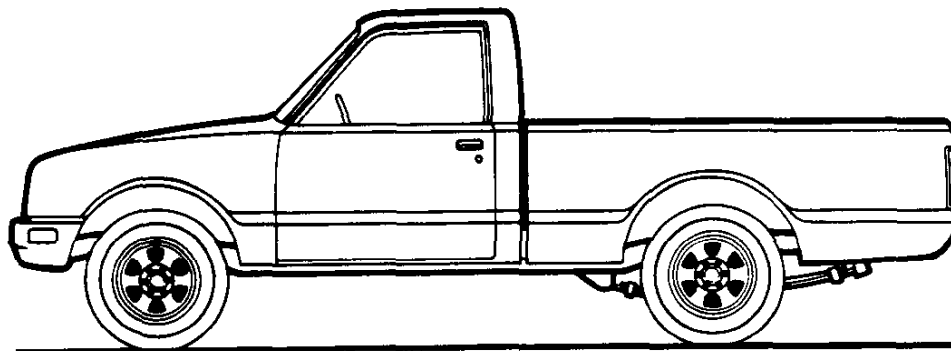
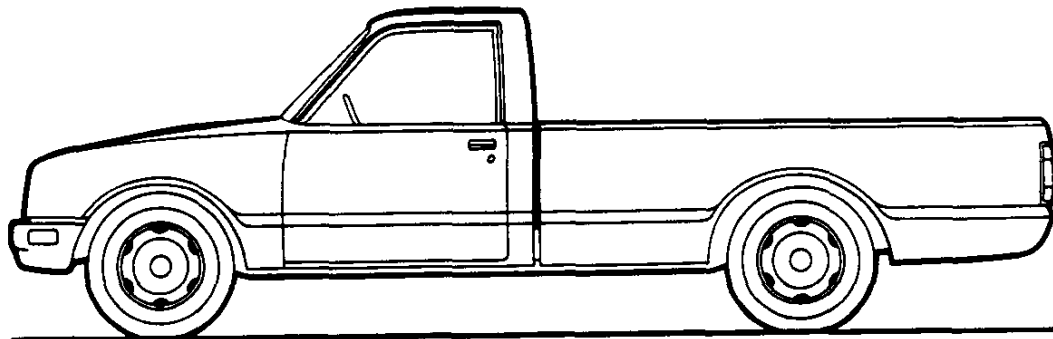
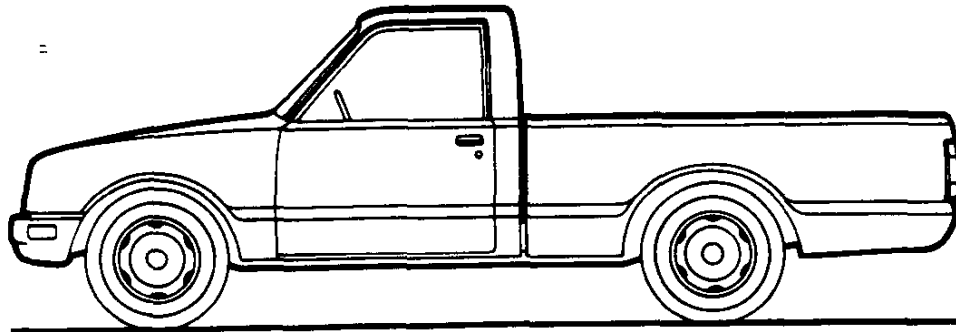




LUV PICKUP
GASOLINE ENGINE MODELS
(SERIES 11)
MODEL SELECTOR

GASOLINE



SERIES	MODEL NUMBER		BODY ORDERING CODE
	6' BOX	7½' BOX	
11 (2 Wheel Drive)	CL10503	CL10803	E63
11 (4 Wheel Drive)	CR10503	—	E63

LUV PICKUP
GASOLINE ENGINE MODELS
(SERIES 11)
STANDARD SPECIFICATIONS

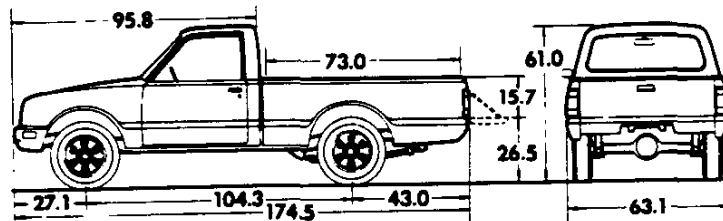
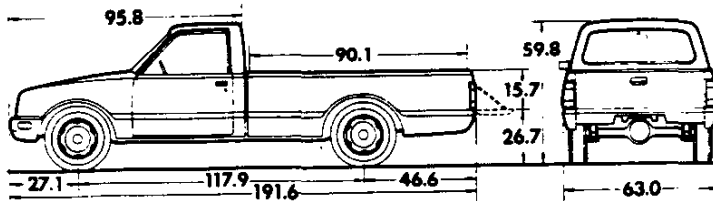
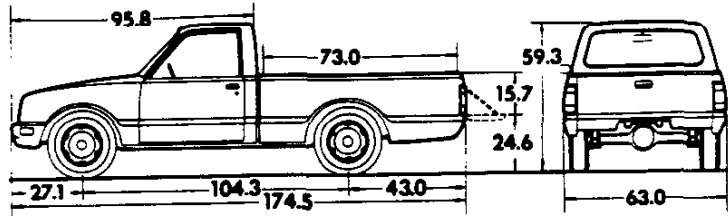
GASOLINE

	CL10503-CL10803	CR10503
Engine	1.8 Liter (110.8 Cu. In.)	
Base equipment—4 cyl.		
Clutch	7.87" O.D.	8.46" O.D.
Air Filter	Wet-paper element; replaceable	
Oil Filter	Throwaway type	
Exhaust System	Single; outside zinc-plated	
Emission Control Systems	Meet Government Requirements	
Suspension, Front	Independent; Torsion Bar	Independent; Driving Axle. Torsion Bar
Capacity—104.3" WB models	1660 lb.	1830 lb.
—117.9" WB models	1830 lb.	—
Axle Ratio	—	4.10
Torsion Bars @ Ground—104.3" WB models	831 lb. ea.	1025 lb. ea.
—117.9" WB models	1025 lb. ea.	—
Stabilizer Bar—104.3" WB models	.71" dia.	.79" dia.
—117.9" WB models	.79" dia.	—
Shock Absorbers	Direct, double acting; 1" dia.	
Hubs—Free Wheeling	—	Standard
Suspension, Rear	2-stage Leaf springs/Hypoid 3500 lbs.	
Axle Capacity		
Axle Ratio	3.42	4.10
Springs @ Ground—104.3" WB models	1041 lb. ea.	1041 lb. ea.
—117.9" WB models	1325 lb. ea.	—
Shock Absorbers	Direct, double acting; 1" dia.	
Brakes	Hydraulic; Self-adjusting	
Front	Disc; 10.16" Rotor	
Rear	Drum; 10.0" x 1.97"	
Booster	Bendix; vacuum	
Parking	Cable to rear wheels	
Electrical		
Battery	12 volt; 275 Cold Cranking Amps @ 0°F. Reserve Capacity—75 min. @ 80°F.	
Generator	40 amp.	50 amp.
Frame	Box section; ladder type	
Fuel Tank (nominal capacity)—104.3" WB	13.2 gal.	13.2 gal.
—117.9" WB	19.1 gal.	—
Steering Gear Type	Recirculating ball	
Transmission	Fully synchronized 4-speed	
Shift location	Floor	
Transfer Case	—	2-Speed
Tires (tubeless)	(5) E78-14B (4PR)	(5) F70-14B (4PR) White Lettered
Tire Carrier, Spare	Winch/chain unit; mounted to frame crossmember under pickup box at rear	
Wheels	(5) Disc; 14" x 5"	(5) Styled; 14" x 5.5"

LUV PICKUP GASOLINE ENGINE MODELS (SERIES 11)

Body Ordering Code: E63

GASOLINE



Cab to Axle (CA)
104.3" WB - 34.5"
117.9" WB - 50.0"

Model	Body Ordering Code	Engine No. Cyl.	Curb Weight (lb)			Model Weights (lb)*			Ground Clearance (in)*
			Front	Rear	Total	Front	Rear	Total	Minimum
CL10503	E63	4	1355	1020	2375	1573	1252	2825	7.5
CR10503 (4-Wheel Drive)	E63	4	1485	1110	2595	1703	1342	3045	7.8
CL10803	E63	4	1415	1055	2470	1659	1261	2920	7.6

- * Dimensions with standard equipment, unloaded.
- * Model Weights include curb weight plus occupants (standard seating capacity x 150 lbs.). Total Model Weight may vary as much as ± 150 lbs. to allow for production build variation.

GVWR SELECTOR

±Maximum Ratings			Minimum Equipment Required for GVW Rating		
GVW Rating (lb)	†GAWR (lb)		Tires, Front	Tires, Rear	Chassis Equipment
	Front	Rear			
3550•	1660	2080	E78-14B (4PR)	E78-14B (4PR)	Standard
4150•	1830	2540			
3750•	1830	2080	F70-14B (4PR)	F70-14B (4PR)	Standard

- ±GAWRs shown are the maximum for each axle with the equipment listed.
- †GAWR - Gross Axle Weight Rating.
- 104.3 in. wheelbase pickup models only.
- 117.9 in. wheelbase models only.
- 4-Wheel-Drive model only.

LUV PICKUP (SERIES 11)

GASOLINE ENGINE MODELS

POWER TEAMS

ALL STATES

GASOLINE

ENGINE	TRANSMISSION	REAR AXLE	
		Capacity (lb)	Ratio
1.8 Liter (110.8 Cu. In.) 4 cyl. (Standard Engine)	4-Speed (Std) - MM4	3500	3.42 - 2 WD, 4.10 - 4 WD
	+Automatic - MX1		4.10

• Available for registration in the state of California when California Emission Certification is ordered.
+ Not available on 4-wheel-drive models.

ENGINE RATINGS

SAE Net Ratings @ 85°F	110.8 2-bbl 4 cyl.
Net Horsepower	80 @ 4800 rpm
Net Torque, lb-ft.	95 @ 3000 rpm

LUV PICKUP SERIES 11

VEHICLES WITH STANDARD EQUIPMENT AT POINT OF ENTRY

**G
A
S
O
L
I
N
E**

Description	Model Number	Body Code	Wheel Base	Factory D&H(s)	List Price	Mfr's Sg'd Retail Price*	Group Number
◆ 1.8 Litre (110.8 Cu. In.) 2 BBL Engine-Engine Ordering Code L10							
2-Wheel Drive							
Pickup.....	CL10503	E63	104.3"	11.35	5930.00	5941.35	34
Pickup.....	CL10803	E63	117.9"	11.35	6139.00	6150.35	34
4-Wheel Drive							
Pickup.....	CR10503	E63	104.3"	14.10	7851.00	7865.10	34

- ★ Manufacturer's Suggested Retail Prices do not include applicable destination charges, state and local taxes, license fees, optional equipment or accessories or special items or services.
- ◆ Refer to Power Team Chart for California Emission Certification Requirements.

OPTIONS AND ACCESSORIES WHEN INSTALLED BY CHEVROLET

Description	Added Weight (F R)	Option Number	Factory D&H(s)	List Price	Mfr's Suggested Retail Price◇
Air Conditioning:	52 -2	C60	N.A.	603.00	603.00
Bumper Equipment:					
<i>Bumper, Rear Step. Chromed</i>					
104.3" WB.....	-17 55	V42	N.A.	122.00	122.00
117.9" WB.....	16 54	V42	N.A.	122.00	122.00
<i>Bumper, Rear Step. Painted.</i>					
104.3" WB.....	-17 56	V43	N.A.	98.00	98.00
117.9" WB.....	-16 55	V43	N.A.	98.00	98.00
<i>Guards, Front Bumper. Chromed.....</i>	14 -3	V31	N.A.	38.00	38.00
Decals: Sport Stripes. Not available when DL1 Decals and Stripes are specified. Includes two colored stripes on hood, tailgate, pickup box side panels and cab. Also includes sport decal on pickup box side panels.					
104.3" WB.....	1 1	D88	N.A.	45.00	45.00
117.9" WB.....	1 1	D88	N.A.	50.00	50.00
Decals and Stripes: CR10503 only Includes 4 x 4 decals and stripes on rear side pickup box panels and tailgate.....					
	1 1	DL1	N.A.	111.00	111.00
Emission Systems: Dealer Note - One of the following emission options must be specified.					
<i>California Emission Requirements.</i> Includes all testing, equipment and /or certification necessary for registration in the State of California					
104.3" WB only.....	15 10	YF5	N.A.	111.00	111.00
117.9" WB.....	16 9	YF5	N.A.	111.00	111.00
<i>Standard Emission Equipment.....</i>	0 0	NA5	NO ADDITIONAL CHARGE		
Exterior Decor Package: Includes belt line, windshield, rear window and roof drip moldings. Also includes full wheel covers on CL10503 and CL10803. Includes Chrome center hubs on CR10503.....					
	3 3	YA1	N.A.	98.00	98.00
Mikado: Includes Mikado nameplate on glove compartment door and cab side panels at rear; deluxe steering wheel with Chevrolet emblem in center cap, shift lever knob with stitched leather-grained vinyl cover, door trim panels with deluxe center insert and carpet kick panels, color-keyed carpeting, door actuated dome lamp, day /night mirror and dual horns.					
With Bench Seat.....	5 2	YH9	N.A.	228.00	228.00
With Bucket Seats. Also includes Console with manual transmission.....	5 6	YH9	N.A.	354.00	354.00
Mirrors, Exterior: Below-Eye-Line-Type. 6" x 9". Stainless Steel.....	3 2	DG4	N.A.	61.00	61.00

- (a) D & H Charges on vehicle and optional equipment include reimbursement to Chevrolet Motor Division for any tax that it has paid, incurred or agreed to pay thereon.
- ◇ State and local taxes not included.

LUV

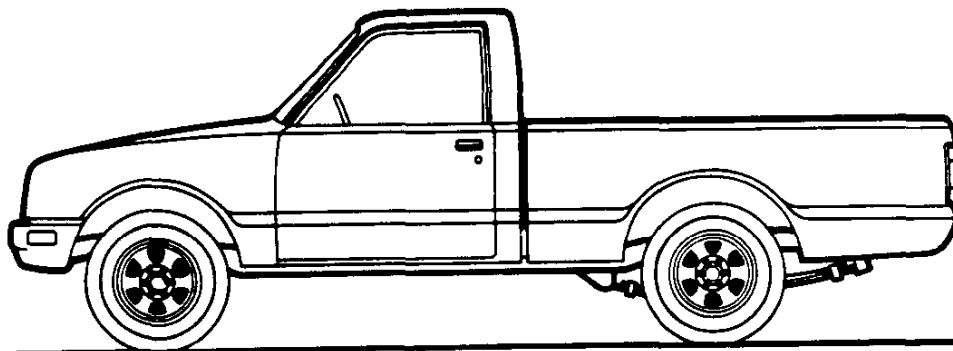
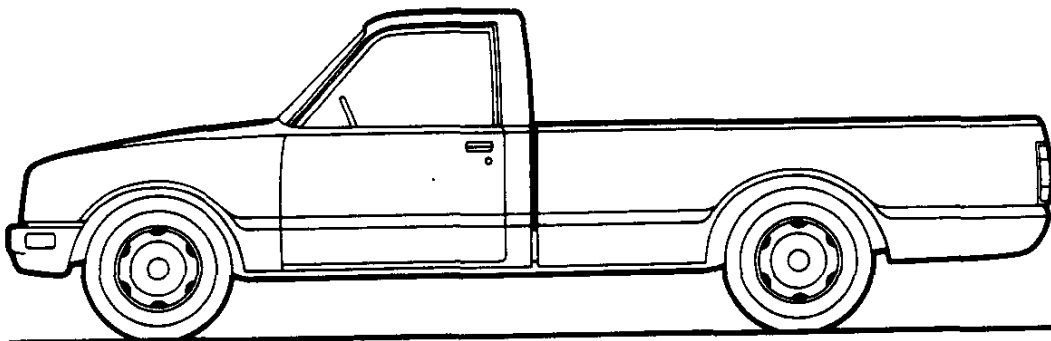
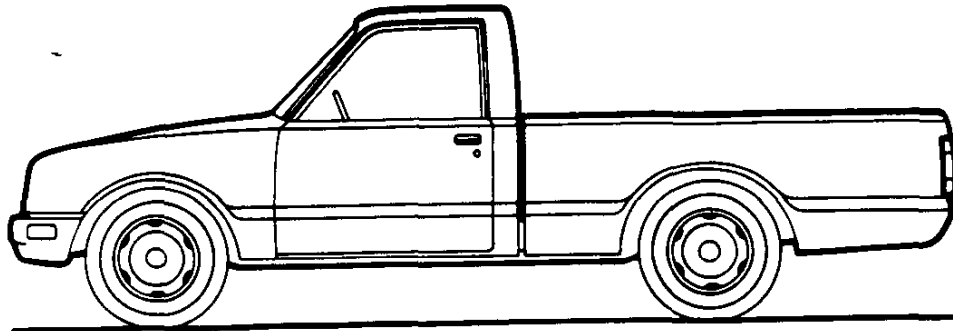
OPTIONS AND ACCESSORIES WHEN INSTALLED BY CHEVROLET

GASOLINE

Description	Added Weight (F R)	Option Number	Factory D&H(a)	List Price	Mfr's Suggested Retail Price
OTHER OPTIONS					
Paints, Exterior: Solid					
Non Metallic	0 0	ZY1	<i>NO ADDITIONAL CHARGE</i>		
Metallic	0 0	ZY1	N A	75 00	75 00
Radio Equipment: Pushbutton.					
AM	2 1	U63	N A	98 00	98 00
AM /FM	3 1	U69	N A	176 00	176 00
Tires:					
<i>(5) E78-14 /B (4 PR) Tubeless</i>					
<i>Passenger Type Blackwall</i>					
Front (Standard)	0 0	XEG	<i>NO ADDITIONAL CHARGE</i>		
Rear (Standard)	0 0	YEG	<i>NO ADDITIONAL CHARGE</i>		
Spare (Standard)	0 0	ZEG	<i>NO ADDITIONAL CHARGE</i>		
<i>Passenger Type Whitewall.</i>					
Front	0 0	XEH	04	19 20	19 24
Rear	0 0	YEH	04	19 20	19 24
Spare	0 0	ZEH	02	9 60	9 62
<i>(5) F70-14 /B Tubeless.</i>					
<i>All Terrain Bias Belted White Lettered CR10503 only</i>					
Front (Standard)	0 0	XAH	<i>NO ADDITIONAL CHARGE</i>		
Rear (Standard)	0 0	YAH	<i>NO ADDITIONAL CHARGE</i>		
Spare (Standard)	0 0	ZAH	<i>NO ADDITIONAL CHARGE</i>		
Transmission: Automatic Includes Console.					
104.3" WB	30 10	MX1	N A	420 00	420 00
117.9" WB	31 9	MX1	N A	420 00	420 00
Window: Sliding Rear	1 1	A28	N A	92 00	92 00

(a) D & H Charges on vehicle and optional equipment include reimbursement to Chevrolet Motor Division for any tax that it has paid, incurred or agreed to pay thereon.
 ◊ State and local taxes not included.

LUV PICKUP
DIESEL ENGINE MODELS
(SERIES 12)
MODEL SELECTOR



**D
I
E
S
E
L**

** SERIES	MODEL NUMBER		BODY ORDERING CODE
	6' BOX	7½' BOX	
12 (2 Wheel Drive)	CL10503	CL10803	E63
12 (4 Wheel Drive)	CR10503	—	E63

LUV PICKUP

DIESEL ENGINE MODELS (SERIES 12)

STANDARD SPECIFICATIONS

(See Blue Tab Section for Specification Details)

DIESEL

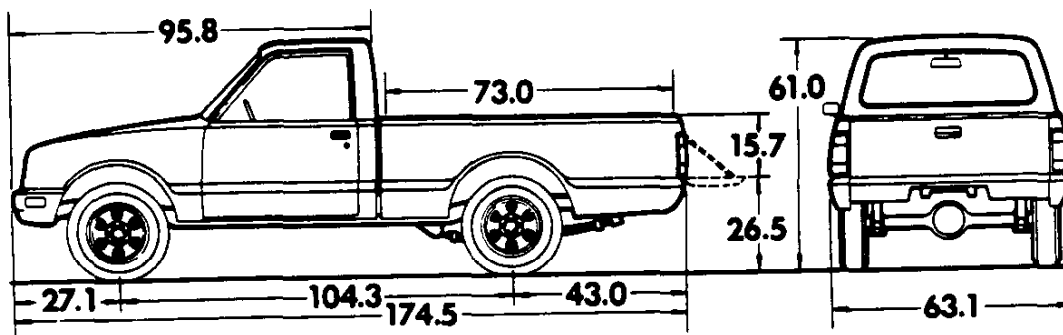
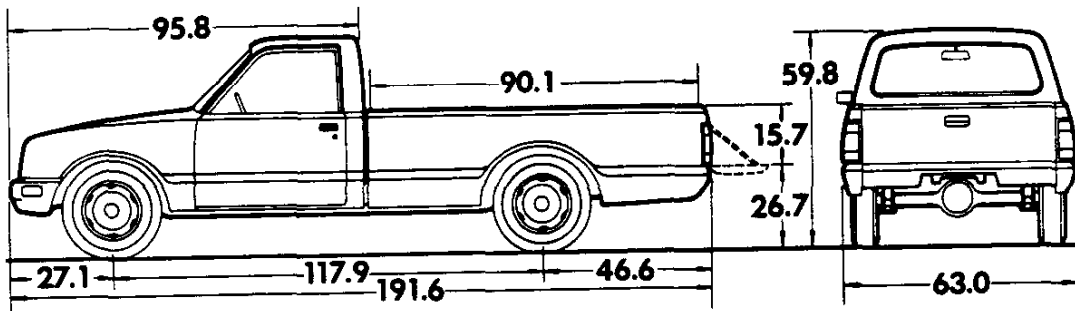
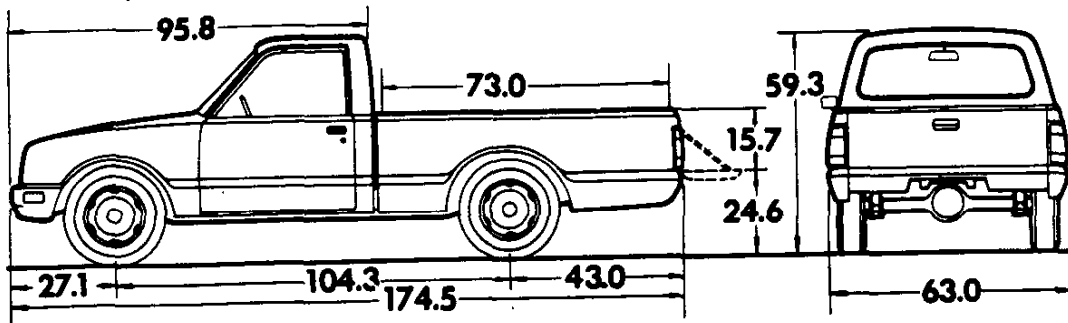
	CL10503-CL10803	CR10503
Engine	2.2 Liter (136.6 Cu. In.) 8.46" O.D.	
Base equipment—4 cyl.	Wet-paper element; replaceable	
Clutch	Throwaway type	
Air Filter	Single; outside zinc-plated	
Oil Filter	Meet Government Requirements	
Exhaust System		
Emission Control Systems		
Suspension, Front	Independent; Torsion Bar	Independent; Driving Axle, Torsion Bar
Capacity—104.3" WB models	2050 lb.	2050 lb.
—117.9" WB models	2050 lb.	—
Axle Ratio	—	4.10
Torsion Bars @ Ground—104.3" WB models	1025 lb. ea.	1025 lb. ea.
—117.9" WB models	1025 lb. ea.	—
Stabilizer Bar—104.3" WB models	.71" dia.	.79" dia.
—117.9" WB models	.79" dia.	—
Shock Absorbers	Direct, double acting; 1" dia.	
Hubs—Free Wheeling	—	Standard
Suspension, Rear	2-stage Leaf springs/Hypoid	
Axle Capacity	3500 lbs.	
Axle Ratio	3.73	4.10
Springs @ Ground—104.3" WB models	1041 lb. ea.	1041 lb. ea.
—117.9" WB models	1325 lb. ea.	—
Shock Absorbers	Direct, double acting; 1" dia.	
Brakes	Hydraulic; Self-adjusting	
Front	Disc; 10.16" Rotor	
Rear	Drum; 10.0" x 1.97"	
Booster	Bendix; vacuum	
Parking	Cable to rear wheels	
Electrical	12 volt; 590 Cold Cranking Amps @ 0°F. 135 min. Reserve Capacity @ 80°F.	
Battery		
Generator	40 amp.	50 amp.
Frame	Box section; ladder type	
Fuel Tank (nominal capacity)—104.3" WB	13.2 gal.	13.2 gal.
—117.9" WB	19.1 gal.	—
Steering Gear Type	Recirculating ball	
Transmission	Fully synchronized 5-speed	Fully synchronized 4-speed
Shift location	Floor	
Transfer Case	—	2-Speed
Tires (tubeless)	(5) E78-14B (4PR)	(5) F70-14B (4PR) White Lettered
Tire Carrier, Spare	Winch/chain unit; mounted to frame crossmember under pickup box at rear	
Wheels	(5) Disc; 14" x 5"	(5) Styled; 14" x 5.5"

LUV PICKUP

DIESEL ENGINE MODELS (SERIES 12)

Body Ordering Code: E63

Cab to Axle (CA)
104.3" WB - 34.5"
117.9" WB - 50.0"



D
I
E
S
E
L

Model	Body Ordering Code	Engine No. Cyl.	Curb Weight (lb)			Model Weights (lb)*			Ground Clearance (in)*
			Front	Rear	Total	Front	Rear	Total	Minimum
CL10503	E63	4	1560	1055	2615	1691	1224	2915	7.5
CR10503 (4-Wheel Drive)	E63	4	1743	1109	2852	1874	1278	3152	7.5
CL10803	E63	4	1620	1090	2710	1751	1259	3010	7.5

*Dimensions with standard equipment, unloaded.

* Model Weights include curb weight plus occupants (standard seating capacity x 150 lbs.). Total Model Weight may vary as much as ± 150 lbs. to allow for production build variation.

LUV PICKUP

DIESEL ENGINE MODELS (SERIES 12)

Body Ordering Code: E63

GVWR SELECTOR

±Maximum Ratings			Minimum Equipment Required for GVW Rating		
GVW Rating (lb)	+GAWR (lb)		Tires, Front	Tires, Rear	Chassis Equipment
	Front	Rear			
3800♦	2050	2080	E78-14B (4PR)	E78-14B (4PR)	Standard
4400♦	2050	2540			
4000♦	2050	2080	F70-14B (4PR)	F70-14B (4PR)	Standard

±GAWRs shown are the maximum for each axle with the equipment listed.

+GAWR - Gross Axle Weight Rating.

♦104.3 in. wheelbase pickup models only.

■117.9 in. wheelbase models only.

•4-Wheel-Drive model only.

POWER TEAMS

ALL STATES EXCEPT CALIFORNIA*

ENGINE	TRANSMISSION	REAR AXLE	
Type and Code	Type	Capacity (lb)	Ratio
•2.2 Liter (136.6 Cu. In.) 4-Cyl. (Standard Engine)	†5-Speed - MM5	3500	3.73
	▲4-Speed - MM4		4.10

■Not available for registration in the State of California.

†Not available on 4-Wheel-Drive models.

▲Not available on 2-Wheel-Drive models.

ENGINE RATINGS

SAE Net Ratings @ 85°F	2.2 Liter 4-Cyl. (136.6 Cu. In.)
Net Horsepower.....	58 @ 4300 rpm
Net Torque, lb-ft.....	93 @ 2200 rpm

**D
I
E
S
E
L**

**LUV
PICKUP
SERIES 12
VEHICLES WITH STANDARD EQUIPMENT AT POINT OF ENTRY**

Description	Model Number	Body Code	Wheel Base	Factory D&H(s)	List Price	Mfr's Suggested Retail Price*	Group Number
◆ 4-Cylinder 2.2 Liter L-4 Diesel Engine-Engine Ordering Code LQ7							
2-Wheel Drive							
Pickup.....	CL10503	E63 & E63J	104.3"				34
Pickup.....	CL10803	E63 & E63J	117.9"				34
4-Wheel Drive							
Pickup.....	CR10503	E63 & E63J	104.3"				34

- ★ Manufacturer's Suggested Retail Prices do not include applicable destination charges, state and local taxes, license fees, optional equipment or accessories or special items or services.
 ◆ Refer to Power Team Chart for California Emission Certification Requirements.

OPTIONS AND ACCESSORIES WHEN INSTALLED BY CHEVROLET

Description	Added Weight (F R)	Option Number	Factory D&H(s)	List Price	Mfr's Suggested Retail Price◇
Air Conditioning:	52 -2	C60			
Bumper Equipment:					
<i>Bumper, Rear Step. Chromed</i>					
104.3" WB.....	-17 55	V42			
117.9" WB.....	16 54	V42			
<i>Bumper, Rear Step. Painted.</i>					
104.3" WB.....	-17 56	V43			
117.9" WB.....	-16 55	V43			
<i>Guards, Front Bumper. Chromed</i>	14 -3	V31			
Decals: Sport Stripes. Not available when DL1 Decals and Stripes are specified. Includes two colored stripes on hood, tailgate, pickup box side panels and cab. Also includes sport decal on pickup box side panels.					
104.3" WB.....	1 1	D88			
117.9" WB.....	1 1	D88			
Decals and Stripes: CR10503 only Includes 4 x 4 decals and stripes on rear side pickup box panels and tailgate.....					
	1 1	DL1			
Emission Systems: Dealer Note - One of the following emission options must be specified.					
<i>California Emission Requirements.</i> Includes all testing, equipment and /or certification necessary for registration in the State of California					
104.3" WB only.....	15 10	YF5			
117.9" WB.....	16 9	YF5			
<i>Standard Emission Equipment.</i>	0 0	NA5			
Exterior Decor Package: Includes belt line, windshield, rear window and roof drip moldings. Also includes full wheel covers on CL10503 and CL10803. Includes Chrome center hubs on CR10503.....					
	3 3	YA1			

- (a) D & H Charges on vehicle and optional equipment include reimbursement to Chevrolet Motor Division for any tax that it has paid, incurred or agreed to pay thereon.
 ◇ State and local taxes not included.

LUV

OPTIONS AND ACCESSORIES WHEN INSTALLED BY CHEVROLET

**D
I
E
S
E
L**

Description	Added Weight (F R)	Option Number	Factory D&H(a)	List Price	Mfr's Suggested Retail Price ◊
FACTORY INSTALLED REGULAR PRODUCTION TIRES					
Mikado: Includes Mikado nameplate on glove compartment door and cab side panels at rear; deluxe steering wheel with Chevrolet emblem in center cap, shift lever knob with stitched leather-grained vinyl cover, door trim panels with deluxe center insert and carpet kick panels, color-keyed carpeting, door actuated dome lamp, day /night mirror and dual horns.					
With Bench Seat	5 2		YH9		
With Bucket Seats. Also includes Console with manual transmission.....	5 6		YH9		
Mirrors, Exterior: Below-Eye-Line-Type. 6" x 9". Stainless Steel.					
.....	3 2		DG4		
Paints, Exterior: Solid					
Non Metallic	0 0		ZY1		
Metallic.....	0 0		ZY1		
Radio Equipment: Pushbutton.					
AM	2 1		U63		
AM /FM	3 1		U69		
Tires:					
(5) E78-14 /B (4 PR) Tubeless					
<i>Passenger Type Blackwall</i>					
Front (Standard)	0 0		XEG		
Rear (Standard)	0 0		YEG		
Spare (Standard)	0 0		ZEG		
<i>Passenger Type Whitewall.</i>					
Front	0 0		XEH		
Rear	0 0		YEH		
Spare	0 0		ZEH		
(5) F70-14 /B Tubeless.					
<i>All Terrain Bias Belted White Lettered CR10503 only</i>					
Front. (Standard)	0 0		XAH		
Rear. (Standard)	0 0		YAH		
Spare. (Standard)	0 0		ZAH		
Transmission: Automatic Includes Console.					
104.3" WB	30 10		MX1		
117.9" WB	31 9		MX1		
Window: Sliding Rear	1 1		A28		

(a) D & H Charges on vehicle and optional equipment include reimbursement to Chevrolet Motor Division for any tax that it has paid, incurred or agreed to pay thereon.
 ◊ State and local taxes not included.

LUV PICKUP

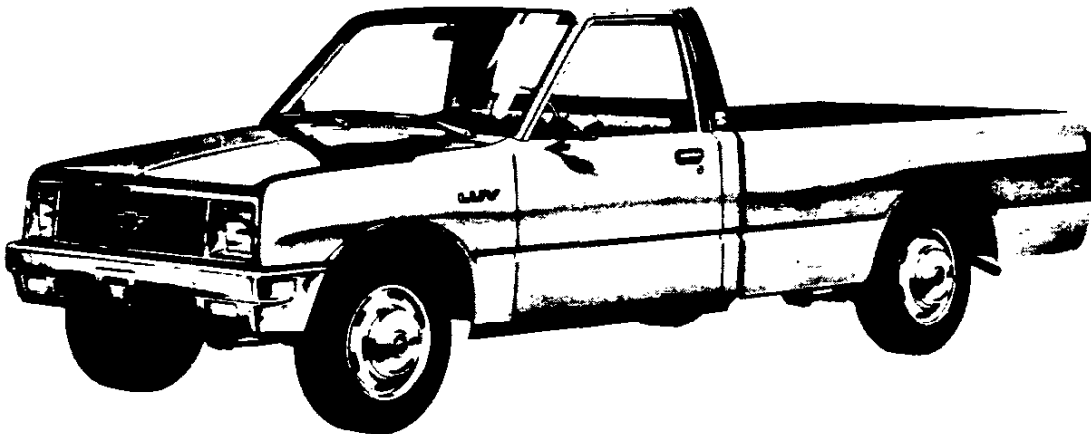
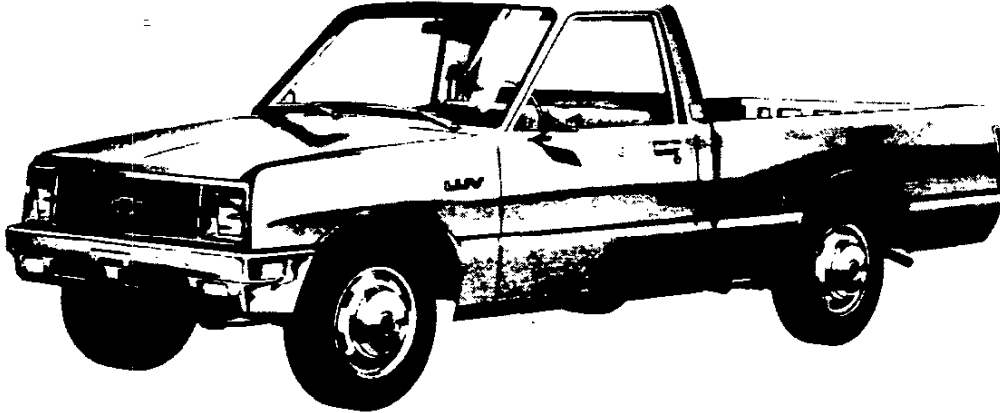
CAB & BODY FEATURES CAB CONSTRUCTION

LUV PICKUP

(SERIES 12)

STANDARD MODELS

The Standard Models Include the Following Items as Standard Equipment



EXTERIOR FEATURES

(All Models)

• **Bright Appearance Items:**

- Chevrolet Emblem: Mounted center of grille with bright outer edge and ochre paint fill
- Chrome front bumper
- Chrome LH/RH exterior mirrors
- Door entry handles
- Door lock cylinder assemblies
- Grille: Bright upper and lower moldings
- Headlamp bezel bright trim
- "LUV" nameplates: Side of each front fender. Bow-tie emblem on "B" pillars (4WD models also have multi-colored 4WD insert over the bow-tie)

• **Colors:** See Interior & Exterior Color Selection Chart

- **Hub caps:** Chrome plated steel with ochre and black paint fill in Chevrolet emblem (2 WD models only)
- **Lettering "CHEVROLET" tailgate:** Painted black on all exterior colors except Black and Blue, where the letters are painted white
- **4WD Decal:** On tailgate (4 WD models only)

• **Lights:**

- Combination parking/direction/hazard: two front
- Combination rectangular rear lamps: Pickups—hazard/directional signal in upper section w/amber lens and reflector; tail/stop in middle section w/red lens; back-up lamp in lower section w/clear lens
- Headlamps: Two
- License Plate: single rear
- Side marker lights: two front

• **Mirror:** LH and RH chrome fixed arm with rectangular head

- **Pickup Box:** All steel; with 8 cargo hold-down hooks, four located at the inside edge of each side panel

• **Spare tire carrier:** Mounted to frame with mechanical winch and chain for raising and lowering tire assembly

- **Tools:** Mechanical jack, combination jack handle/wheel nut wrench/hub cap tool, and spare tire winch handle

• **Wheels:** 2 WD—Disc; Painted White
4 WD—Styled; Painted White

- **Windshield Wipers and Washers:** Electric, 2-speed wipers, demand-type washers

ADDITIONAL EXTERIOR ITEMS

(Diesel Models Only)

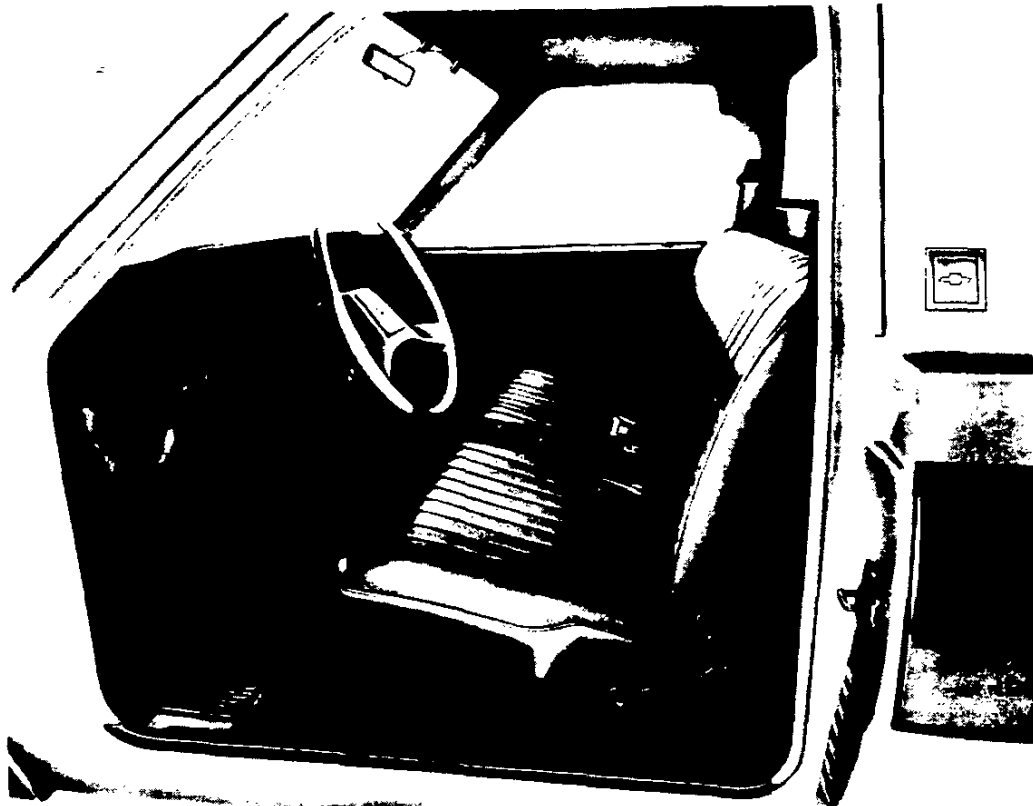
- **Bright Appearance Items:** "DIESEL" nameplates on each front fender below the LUV nameplate and on lower RH corner of tailgate

LUV PICKUP

(SERIES 12)

STANDARD MODELS

The Standard Models Include the Following Items as Standard Equipment



INTERIOR FEATURES

(All Models)

- **Air Vents:** RH & LH instrument panel side and foot vents; individually controlled. Also flow-thru with air being exhausted through the rear quarter panels
- **Armrests:** Color-keyed RH & LH
- **Ashtray**
- **Cigar Lighter**
- **Colors:**
Painted interior: Same as exterior color choice
Trim - Color choice of saddle or blue
- **Dome Lamp** with switch; over rear window
- **Door Locks:** inside pushbutton lock/release
- **Door Seals:** Constant-section sponge rubber
- **Door trim panels:** Embossed vinyl
- **Floor Mat:** Color-keyed molded vinyl
- **Glove Compartment:** in RH side of instrument panel, with key-locking door
- **Headliner:** Color-keyed vinyl
- **Heater and Defroster:** Outside air heater with temperature control using air mixing and water control valves; blower operation on demand for power ventilation system
- **Instrument Panel:** Plastic with vinyl-coated foam padding
- **Instruments:**
Gages: Speedometer, odometer, temperature and fuel

Switches: Exterior/instrument lights; dome lights; ignition; combination steering column switch for direction signals by moving lever up and down, headlight beams by moving lever fore and aft; and windshield wiper and washer by turning lever to wipe and pressing lever in to wash; hazard warning on steering column

Warning Lights: Generator, oil pressure, parking brake, direction signals, high beam, 4-Wheel-Drive (CR10503 only)

- **Insulation and Sound Deadening**
- **Interior Lights:** Instrument controlled by main light switch and dome with separate switch
- **Mirror, Rearview:** Inside mounted to windshield header with impact break-away arm
- **Seats:** Full-width with latched forward fitting back for access to storage area behind seat; textured all-vinyl trim
- **Seat and Shoulder Belts:** Non-detachable combination lap and shoulder belts for outboard positions with emergency-locking retractors and switch in driver's lap belt retractor for buzzer warning system; lap belt with manual adjustment for center position. All seat belts are color-keyed with pushbutton type buckles
- **Steering Wheel:** Molded plastic; 2-spoke; 15.7" diameter; color-keyed with center horn button
- **Sunshades:** Color-keyed; LH and RH vinyl trimmed

ADDITIONAL INTERIOR ITEMS

(Diesel Models Only)

- **Instruments:** Warning lights: Glow Plugs and Water-in-Fuel
- **Insulation:** Added insulators on cab back panel, engine side of firewall, and on inner surface of engine hood; plus extra-thick insulation under floor mats, and on inner surface of roof panel

LUV PICKUP

(SERIES 12)

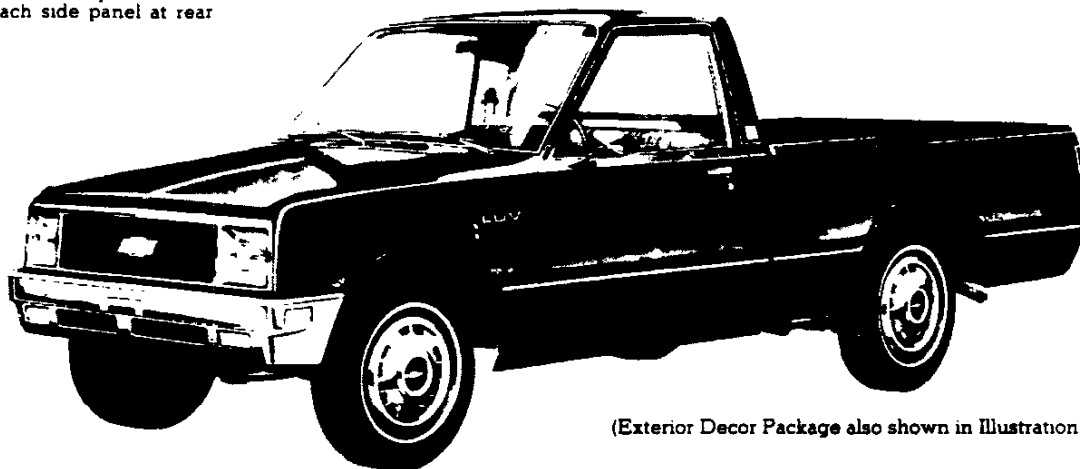
MIKADO MODEL OPTION—RPO YH9

(This option includes all standard items plus the additions or substitutions listed below)

EXTERIOR

• **Bright appearance items:**

"Mikado" nameplates mounted on each side panel at rear



(Exterior Decor Package also shown in illustration)

INTERIOR

• **Bright appearance items:**

"Mikado" nameplate mounted on glove box door
Chevrolet Emblem: in center cap of steering wheel
Trim on door and window regulator handles
Moldings on instrument cluster, side vent grilles,
and heater/air conditioner control bezels

• **Carpeting:** Color-keyed

• **Dome Lamp:** Brighter lamp, with door-actuated switches

• **Door Trim Panels:** Deluxe cloth in blue or red and color-keyed carpet kick panel

• **Mirror, Rear View Interior:** Day-night type

• **Seat:** Choice of: 1) Deluxe cloth bench in blue or red,
2) Deluxe cloth bucket seats in red or blue (at added cost)

• **Shift Lever Knob:** Stitched, leather-grained urethane covered knob

• **Steering Wheel:** Deluxe

• **Windshield Pillars:** Color-keyed vinyl covering

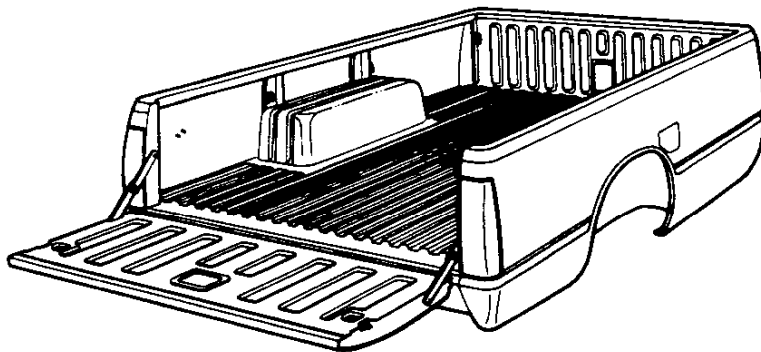
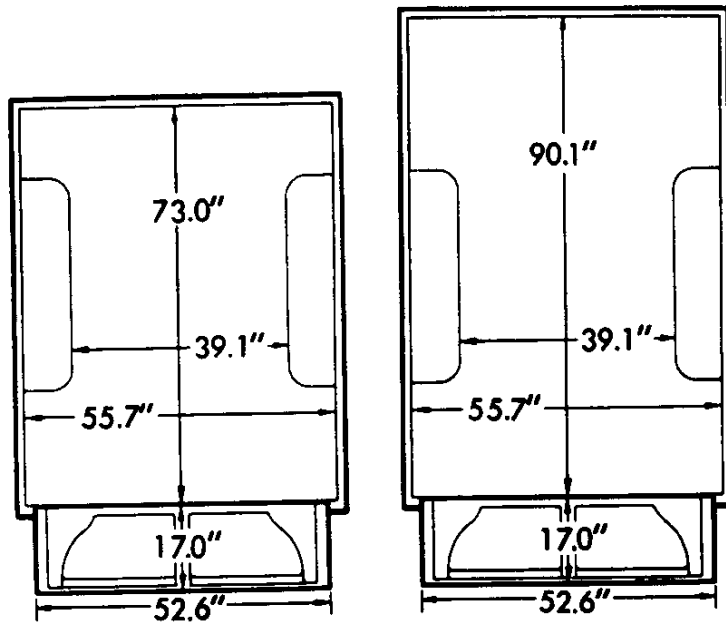
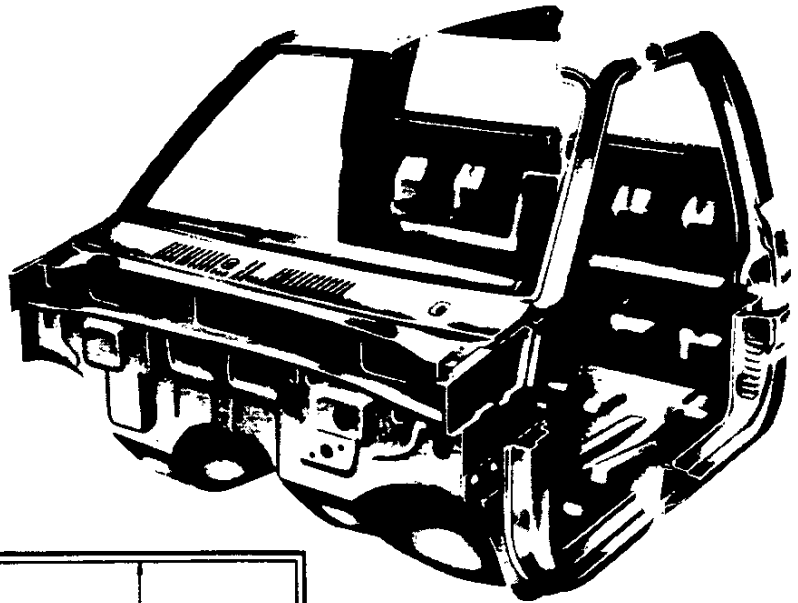


LUV PICKUP

(SERIES 12)

Cab Construction

The cab is a 2-door, 2-passenger unit utilizing all-steel, welded construction. A plenum chamber with high level, screened air intake is incorporated in the front end structure for interior ventilation. Single-wall construction is utilized throughout the remainder of the cab except in the rear quarter areas. A cathodic ELPO primer is used throughout and galvanized sheet metal is used in several areas to reduce sheet metal corrosion. Drip rails are used at the sides of the roof panel. Lower body joints are filled with pumpable sealer. A 6-point mounting system is utilized for the integrated cab and front body structure. All mounts are the double rubber biscuit type.



Pickup Box

The all-steel, welded pickup box is built in both 6- and 7.5-foot nominal lengths with approximate 37 and 45 cubic foot capacities respectively. Integral skid strips are incorporated in the load floor. Vertical rear lamps with bright bezels are incorporated into the corner posts. Single wall construction is utilized for the side panels and double wall construction is used for the tailgate. Though no stake pockets are incorporated in the side panels, eight cargo hold-down hooks are provided with four located at the inside edge of each side panel.

The grain tight tailgate, with two hinges, is secured by left and right hand fork-type latches.

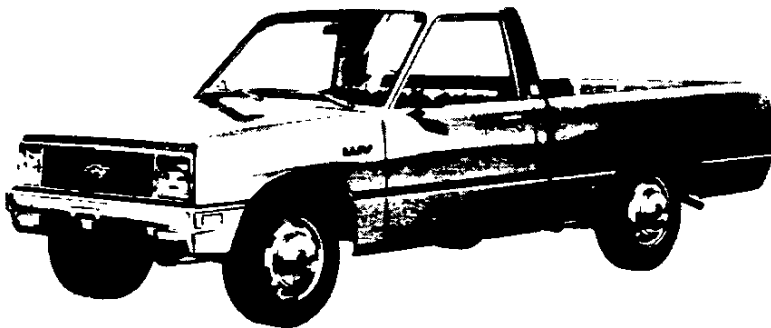
The tailgate can be held in the open horizontal position by left and right hand links, or it can be fully lowered if the links are unfastened. A center pull-type tailgate handle design is incorporated to improve utility.

LUV PICKUP (SERIES 12)

INTERIOR AND EXTERIOR SELECTION CHART

INTERIOR TYPE			Decor Option		INTERIOR TRIM COLOR AND CODE		
					Blue	Red	Saddle
Standard Vinyl Bench Seat			Std.		VDD1		VSS1
Mikado Custom Cloth Bench Seat Custom Cloth High Back Bucket Seat			YH9		LDD1	LRR1	
					LDD4	LRR4	
EXTERIOR COLORS	DECAL AVAILABILITY		SOLID PAINT CODE				
	RPO DL1 4WD Decal Package (4WD Models Only)	RPO D88 Sport Stripe Package	Primary	Secondary			
Midnight Black	Orange to Red	Dk. Orange/Lt. Orange	86	86		X	X
Metallic Blue	Lt. Blue to Dk. Blue	Dk. Orange/Lt. Orange	20	20	X		
Scarlet Red	Orange to Red	Dk. Orange/Lt. Orange	70	70		X	X
Frost White	Orange to Red	Dk. Orange/Lt. Orange	12	12			X
	Lt. Blue to Dk. Blue	Blue/Green			X		
Marigold Yellow	Orange to Red	Dk. Orange/Lt. Orange	53	53			X
Metallic Silver	Orange to Red	Dk. Orange/Lt. Orange	17	17		X	
	Lt. Blue to Dk. Blue	Blue/Green			X		

"SPORT" DECAL PACKAGE—RPO D88



"4 x 4" DECAL PACKAGE—RPO DL1

