



# SERIES P30 FC CHASSIS—GASOLINE

GVW Ratings up to 14,000 lb

## SERIES P30—FC CHASSIS

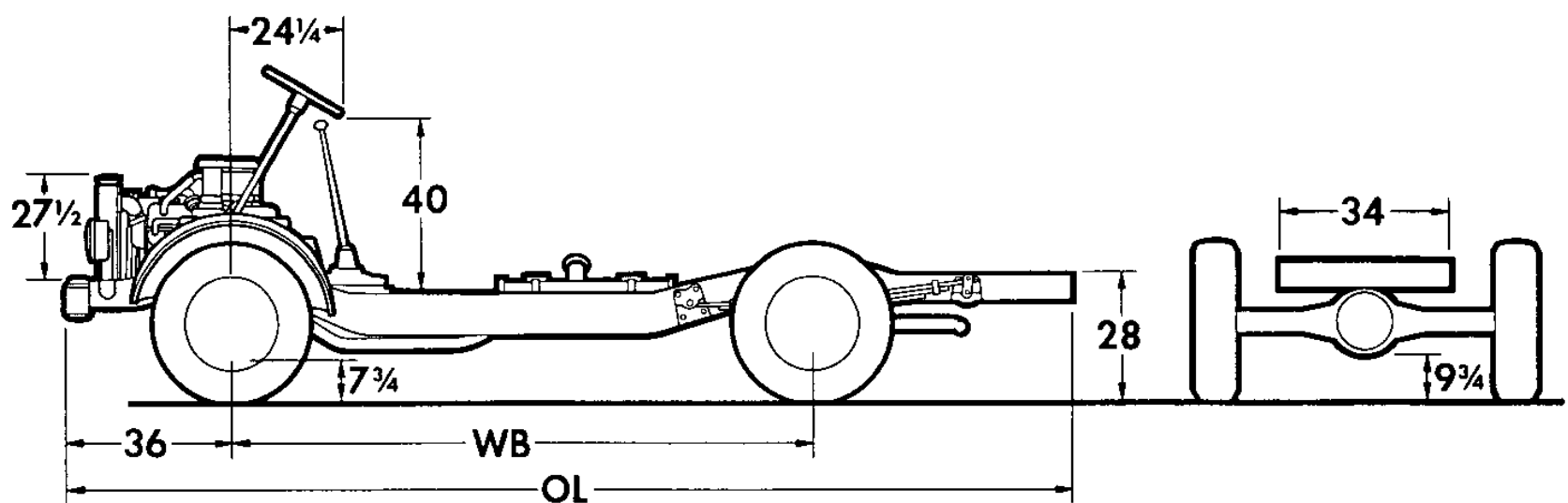
### Six-Cylinder Models

**PS30842** FC Chassis  
**PS31042** FC Chassis  
**PS31442** FC Chassis

### V8 Models

**PE30842** FC Chassis  
**PE31042** FC Chassis  
**PE31442** FC Chassis

### DIMENSIONS (With std equipment, unloaded)



Models	Dimensions (in)		Curb Weights (lb)			Body-Payload Wt. Dist.	
	WB	OL	Front	Rear	Total	Front	Rear
<b>PS30842</b> <b>PE30842</b>	125	220	1822 1921	1170 1183	2992 3104	<b>Determined by style, length &amp; weight of body.</b>	
<b>PS31042</b> <b>PE31042</b>	133	228	1869 1968	1146 1158	3015 3126		
<b>PS31442</b> <b>PE31442</b>	157	252	1925 2026	1206 1217	3131 3243		

# SERIES P30 STEP-VAN KING—GASOLINE

GVW Ratings up to 14,000 lb

## SERIES P30—STEP-VAN KING

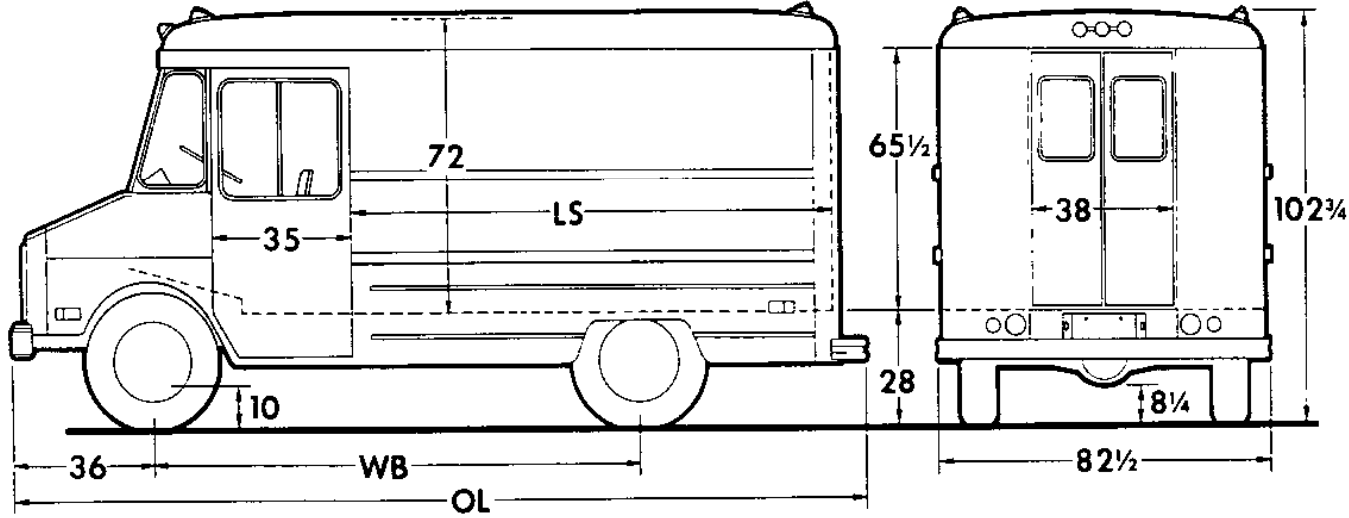
### Six-Cylinder Models

**PS30835** Step-Van King  
**PS31035** Step-Van King  
**PS31435** Step-Van King

### V8 Models

**PE30835** Step-Van King  
**PE31035** Step-Van King  
**PE31435** Step-Van King

### DIMENSIONS (With std equipment, unloaded)



Models	Dimensions (in)			Curb Weights (lb)			Body-Payload Wt. Dist*	
	WB	OL	LS	Front	Rear	Total	Front	Rear
<b>PS30835</b> <b>PE30835</b>	125	219½	122	2572 2681	2807 2813	5379 5494	9%	91%
<b>PS31035</b> <b>PE31035</b>	133	243½	146	2797 2908	2814 2814	5611 5722	6%	94%
<b>PS31435</b> <b>PE31435</b>	157	267½	170	3036 3152	2912 2909	5948 6061	12%	88%

\*Estimate based on water-level loading.

### Body Dimensions

Models	Body Type	LS (in)	Width (in)	Height (in)	Cubic Capacity (cu ft)
<b>PS30835</b> <b>PE30835</b>	Standard.....	122	77½	72	375
	Standard body with optional interior height.....	122	77½	76	397
	Optional body extension with standard interior height.....	128	77½	72	394½
	Optional body extension with optional interior height.....	128	77½	76	417½
<b>PS31035</b> <b>PE31035</b>	Standard.....	146	77½	72	450
	Standard body with optional interior height.....	146	77½	76	476
	Optional body extension with standard interior height.....	152	77½	72	469½
	Optional body extension with optional interior height.....	152	77½	76	496¾
<b>PS31435</b> <b>PE31435</b>	Standard.....	170	77½	72	525
	Standard body with optional interior height.....	170	77½	76	555
	Optional body extension with standard interior height.....	176	77½	72	544½
	Optional body extension with optional interior height.....	176	77½	76	575

# SERIES P30 STEP-VAN KING ALUMINUM—GASOLINE

GVW Ratings up to 14,000 lb

## SERIES P30—STEP-VAN KING ALUMINUM

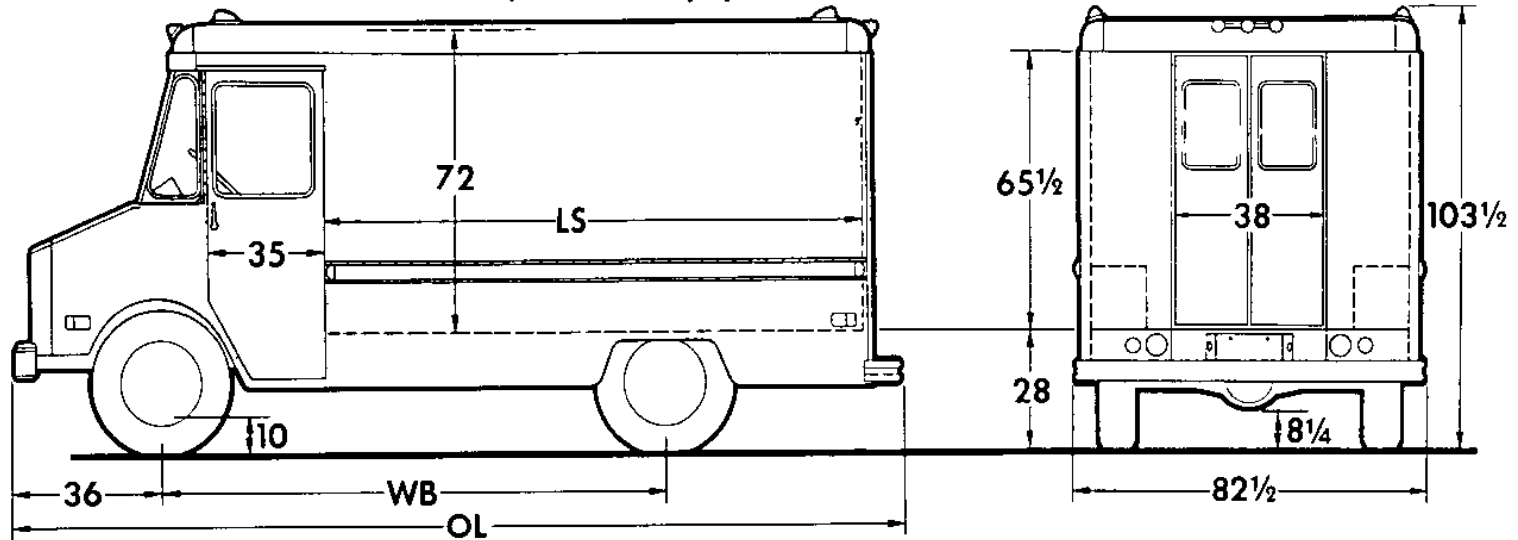
### Six-Cylinder Models

**PS30855** Step-Van King Aluminum  
**PS31055** Step-Van King Aluminum  
**PS31455** Step-Van King Aluminum

### V8 Models

**PE30855** Step-Van King Aluminum  
**PE31055** Step-Van King Aluminum  
**PE31455** Step-Van King Aluminum

### DIMENSIONS (With std equipment, unloaded)



Models	Dimensions (in)			Curb Weights (lb)			Body-Payload Wt. Dist.*	
	WB	OL	LS	Front	Rear	Total	Front	Rear
<b>PS30855</b> <b>PE30855</b>	125	216.7	123.5	2301 2402	2419 2428	4720 4830	9%	91%
<b>PS31055</b> <b>PE31055</b>	133	240.6	147.6	2443 2547	2369 2374	4812 4921	6%	94%
<b>PS31455</b> <b>PE31455</b>	157	264.7	171.6	2500 2602	2492 2495	4992 5097	12%	88%

\*Estimate based on water-level loading.

### Body Dimensions

Models	Body Type	LS (in)	Width (in)	Height (in)	Cubic Capacity (cu ft)
<b>PS30855</b> <b>PE30855</b>	Standard.....	123.5	77½	72	375
	Standard body with optional interior height.....	123.5	77½	76	397
	Optional body extension with standard interior height.....	129.5	77½	72	394
	Optional body extension with optional interior height.....	129.5	77½	76	417
<b>PS31055</b> <b>PE31055</b>	Standard.....	147.5	77½	72	450
	Standard body with optional interior height.....	147.5	77½	76	476
	Optional body extension with standard interior height.....	153.5	77½	72	469
	Optional body extension with optional interior height.....	153.5	77½	76	496
<b>PS31455</b> <b>PE31455</b>	Standard.....	171.5	77½	72	525
	Standard body with optional interior height.....	171.5	77½	76	555
	Optional body extension with standard interior height.....	177.5	77½	72	544
	Optional body extension with optional interior height.....	177.5	77½	76	576

# SERIES P30 FC CHASSIS—GASOLINE

## STANDARD EQUIPMENT

**Air Cleaner:** Dual element; polyurethane band around an oiled-paper element

**Axle, Front:** Independent; capacity 3500 lb

**Axle, Rear:** Hypoid full-floating type; ratio 4.57; capacity 7200 lb

**Battery:** 12-volt, 54-plate; capacity 53 amp-hr

**Brakes, Service:** Hydraulic; self-adjusting; dual system

Sizes: front 11" x 2 3/4"; rear 13" x 2 1/2"

Effective area: drum 395 sq in; lining 252 sq in

**Brake, Parking:** Cable to rear wheels; area 132 sq in; Orscheln-type lever

**Bumper:** Front only, painted

**Carburetor:** PS30: single-barrel downdraft  
PE30: two-barrel downdraft

**Clutch:** Diameter 11"; area 124 sq in

**Cooling:**

PS30: 1.26" radiator core, cross-flow type; 446-sq-in area; 13-lb pressure cap

PE30: 1.26" radiator core, cross-flow type; 480-sq-in area; 13-lb pressure cap

**Controls & Instruments:** Light switch; headlight beam control; speedometer; odometer; ammeter; fuel gauge; engine temperature gauge; oil pressure gauge; high beam indicator light; direction signal light; brake warning light. Ignition switch with accessory position

**Direction Signals:** Includes Freeway lane-change position on switch and integral hazard warning switch. Wiring and lights furnished loose

**Engine:**

PS30: 250 Six; Controlled Combustion exhaust system

Gross horsepower..... 155 @ 4200 rpm

Net horsepower..... 125 @ 3800 rpm

Gross torque, lb-ft..... 235 @ 1600 rpm

Net torque, lb-ft..... 215 @ 2000 rpm

PE30: 307 V8; Air Injection Reactor exhaust system

Gross horsepower..... 200 @ 4600 rpm

Net horsepower..... 150 @ 4000 rpm

Gross torque, lb-ft..... 300 @ 2400 rpm

Net torque, lb-ft..... 255 @ 2000 rpm

**Exhaust System:** Single, fully aluminized

**Filter, Fuel:** Plastic mesh in fuel tank

PS30: Paper type in carburetor

PE30: Sintered bronze in carburetor

**Filter, Oil:** Full-flow; 1-quart; throwaway type

**Frame:** 39,000-lb-test steel; section modulus 5.05 (PS/PE308-310 models); 7.29 (PS/PE314 models)

**Generator:** 42-amp Delcotron

**GVW Plate:** See GVW Selector

**Lights:** Furnished in loose parts box—misc. wiring; two headlights; two Class A front combination parking/direction signals; two Class A rear combination tail/stop/direction; two license; instrument panel

**Shock Absorbers:** Front and rear; piston diameter 1"

**Springs, Front:** Coil; capacity 1750 lb each at ground

**Springs, Rear:** Leaf; capacity 3100 lb each at ground

**Stabilizer Bar:** Front and rear

**Steering:** Ball-gear, ratio 27.7:1; wheel diameter 19"; 2-spoke

**Tank, Fuel:** Outside RH frame rail; capacity approx 30 gallons

**Tires:** Four tubeless 8.75-16.5/6PR nylon front and 8.75-16.5/8PR single rear

**Tools:** Wheel wrench

**Transmission:** Chevrolet CH465 4-speed; ratios 6.55, 3.58, 1.70, 1.00, 6.09 (rev.); SAE 6-bolt power take-off openings on both sides

**Wheels:** Four 16.5" x 6.0"; attachment, 8 studs on 6 1/2" circle. Four hub caps

## GVW SELECTOR

GVW Rating (lb)	Chassis Equipment Required for GVW Rating
7300	Standard
10,000	4150-lb ea rear spring
11,000	11,000-lb rear axle
14,000	11,000-lb rear axle

**Note:** Be sure to recommend adequate springs and tires for total axle loads. See Optional Equipment and Tire & Wheel Combination pages.

# SERIES P30 STEP-VAN KING—GASOLINE SERIES P30 STEP-VAN KING ALUMINUM—GASOLINE

## STANDARD EQUIPMENT

**Air Cleaner:** Dual element; polyurethane band around an oiled-paper element

**Axle, Front:** Independent type; capacity 3500 lb

**Axle, Rear:** Hypoid full-floating type; ratio 4.57; capacity 7200 lb

**Battery:** 12-volt, 54-plate; capacity 53 amp-hr

**Brakes, Service:** Hydraulic; self-adjusting; dual system

Sizes: front 11" x 2 3/4"; rear 13" x 2 1/2"

Effective area: drum 395 sq in; lining 252 sq in

**Brake, Parking:** Cable to rear wheels; area 132 sq in; Orscheln-type lever

**Bumper:** Front and rear, painted

**Carburetor:**

PS30: single-barrel downdraft

PE30: two-barrel downdraft

**Clutch:** Diameter 11"; area 124 sq in

**Cooling:**

PS30: 1.26" radiator core, cross-flow type; 446-sq-in area; 13-lb pressure cap

PE30: 1.26" radiator core, cross-flow type, 480-sq-in area; 13-lb pressure cap

**Controls & Instruments:** Windshield wiper-washer switch; light switch; headlight beam control; speedometer; odometer; ammeter; fuel gauge; engine temperature gauge; oil pressure gauge; high beam indicator light; direction signal light; brake warning light. Ignition switch with accessory position

**Direction Signals:** Class A; two front & two rear; includes integral hazard warning switch

**Engine:**

PS30: 250 Six; Controlled Combustion exhaust system

Gross horsepower . . . . . 155 @ 4200 rpm

Net horsepower . . . . . 125 @ 3800 rpm

Gross torque, lb-ft. . . . . 235 @ 1600 rpm

Net torque, lb-ft. . . . . 215 @ 2000 rpm

PE30: 307 V8; Air Injection Reactor exhaust system

Gross horsepower . . . . . 200 @ 4600 rpm

Net horsepower . . . . . 150 @ 4000 rpm

Gross torque, lb-ft. . . . . 300 @ 2400 rpm

Net torque, lb-ft. . . . . 255 @ 2000 rpm

**Exhaust System:** Single, fully aluminized pipe and muffler

**Filter, Fuel:** Plastic mesh in fuel tank

PS30: Paper type in carburetor

PE30: Sintered bronze in carburetor

**Filter, Oil:** Full-flow; 1-quart; throwaway type

**Frame:** 39,000-lb-test steel; section modulus 5.05 (PS/PE308-310 models); 7.29 (PS/PE314 models)

**Generator:** 42-amp Delcotron

**GVW Plate:** 10,000 lb

**Heater & Defroster:** Deluxe-Air

**Lights:** Two headlights; two Class A front combination parking/direction signals; two Class A rear combination tail/stop/direction signals; two front side marker; two rear side marker; five front identification & clearance; five rear identification & clearance; two backup; two license; instrument panel & dome

**Mirror, Rearview:** Exterior RH & LH 7 1/2" fixed arm

**Seat:** Driver only; vinyl trim

**Shock Absorbers:** Front and rear; piston diameter 1"

**Springs, Front:** Coil; capacity 1750 lb each at ground

**Springs, Rear:** Leaf; capacity 3100 lb each at ground

**Stabilizer Bar:** Front and rear

**Steering:** Ball-gear, ratio 27.7:1; wheel diameter 19"; 2-spoke

**Tank, Fuel:** Outside RH frame rail; capacity approx 30 gallons

**Tires:** Four tubeless 8.75-16.5/6PR nylon front and 8.75-16.5/8PR single rear

**Tools:** Wheel wrench

**Transmission:** Chevrolet CH465 4-speed; ratios 6.55, 3.58, 1.70, 1.00, 6.09 (rev); SAE 6-bolt power take-off openings on both sides

**Wheels:** Four 16.5" x 6.0"; attachment, 8 studs on 6 1/2" circle. Four hub caps

**Windshield Wipers & Washer:** Electric; 2-speed wipers

### GVW SELECTOR

GVW Rating (lb)	Chassis Equipment Required for GVW Rating
7300	Standard
10,000	4150-lb ea rear spring
11,000	11,000-lb rear axle
14,000	11,000-lb rear axle

**Note:** Be sure to recommend adequate springs and tires for total axle loads. See Optional Equipment and Tire & Wheel Combination pages.

# P30 SERIES—GASOLINE (7300—14,000-lb GVW Ratings)

## 1970 MODELS WITH STANDARD EQUIPMENT

Model & Type	Wheel-base	Factory D & H	List Price	Mfr's Sgt'd Dealer NVPC*	Mfr's Sgt'd Retail Price *	Destination Charge & Group Number	Total
--------------	------------	---------------	------------	--------------------------	----------------------------	-----------------------------------	-------

### 6-Cylinder 155-hp High Torque 250 Engine

• PS30835	Step-Van King (10-ft).....	125"					
PS30842	Forward-Control Chassis.....	125"					
• PS30855	Step-Van King (10-ft) Aluminum.....	125"					
• PS31035	Step-Van King (12-ft).....	133"					
PS31042	Forward-Control Chassis.....	133"					
• PS31055	Step-Van King (12-ft) Aluminum.....	133"					
• PS31435	Step-Van King (14-ft).....	157"					
PS31442	Forward-Control Chassis.....	157"					
• PS31455	Step-Van King (14-ft) Aluminum.....	157"					

### 8-Cylinder 200-hp High Torque 307 Engine

• PE30835	Step-Van King (10-ft).....	125"					
PE30842	Forward-Control Chassis.....	125"					
• PE30855	Step-Van King (10-ft) Aluminum.....	125"					
• PE31035	Step-Van King (12-ft).....	133"					
PE31042	Forward-Control Chassis.....	133"					
• PE31055	Step-Van King (12-ft) Aluminum.....	133"					
• PE31435	Step-Van King (14-ft).....	157"					
PE31442	Forward-Control Chassis.....	157"					
• PE31455	Step-Van King (14-ft) Aluminum.....	157"					

\* Manufacturer's Suggested Dealer New Vehicle Preparation Charge.

★ Manufacturer's Suggested Retail Prices do not include state and local taxes, license fees, options or accessories.

● All Step-Van chassis will be shipped to Union City Body Co. where all body work will be done. These units will be serviced and conditioned for highway travel after body is installed. A conditioning charge of \$10.00 will be added.

# P30 SERIES—GASOLINE

## OPTIONS AND ACCESSORIES WHEN INSTALLED BY CHEVROLET

Description	Option Number	Factory D & H	List Price	Mfr's Suggested Retail Delivered Price <sup>◇</sup>
-------------	---------------	---------------	------------	---

### POWER TEAMS & AXLES

#### Engines:

292 Six; includes 11" clutch.....	L25
350 V8; includes 4.10 ratio rear axle when Chevrolet 4-speed or Turbo Hydra-matic transmission is ordered with single rear wheels. Also includes 12" clutch.....	LS9
<i>Liquid Petroleum Gas Conversion</i> ; available only when 6-cyl or 350 V8 engine is ordered	
With 6-cyl engine.....	L56
With 350 V8 engine.....	L56

#### Transmissions:

<i>Turbo Hydra-matic</i> ; includes HD radiator.....	M49
<i>New Process 435CR 4-speed</i> (close-ratio).....	M28

#### Axles, Rear:

4.10 Ratio; not available when 350 engine with Chevrolet 4-speed or Turbo Hydra-matic transmission is ordered with single rear wheels. Available with dual rear wheels only when Turbo Hydra-matic or Chevrolet 4-speed transmission is ordered with 350 engine.....	HB8
4.57 Ratio; Available only when dual rear wheels or when Turbo Hydra-matic or Chevrolet 4-speed transmission and 350 engine are ordered with single rear wheels	
With standard transmission.....	H20
With optional transmission.....	H20
5.14 Ratio; available only when Turbo Hydra-matic or Chevrolet 4-speed transmission with 350 HD engine and dual rear wheel equipment is ordered.	H08
<i>Capacity 11,000-lb</i> ; 6.17 ratio; available only when dual rear wheels, standard transmission, power brakes, HD radiator and 7.00-18/8PR tube-type or 8-19.5 tubeless-type tires are ordered. Includes 2000-lb front springs, HD front & rear shock absorbers and 5900-lb main & auxiliary rear springs.....	H22
<i>NoSPIN</i> ; not available when dual rear wheels are ordered.....	G86

### OTHER OPTIONS

<b>Battery-Heavy-Duty:</b> 12-volt, 66-plate, 70-amp-hr. Included with HD starting motor.....	T60
<b>Brakes:</b>	
<i>Parking</i> ; drum-type. Not available when 11,000-lb rear axle or Turbo Hydra-matic is ordered.....	J76
<i>Vacuum Power</i> .....	J70
<b>Carrier, Spare Wheel:</b> (Under frame).....	P10
<b>Chassis Conversion, Motor Home:</b> For use on 133" and 157" wheelbase Chassis-Cab models only when converting to Motor Home. Available only when 350 V8 engine, Turbo Hydra-matic transmission, power steering, HD battery, 61-amp or 62-amp generator is ordered. Includes vacuum power brakes.....	Z69
<b>Cooling:</b> HD radiator only. Included when automatic transmission is ordered.....	V01
<b>Generators:</b>	
61-amp Delcotron.....	K76
62-amp Delcotron.....	K81
<b>Heater, Engine Block</b> .....	K08
<b>Plate:</b> GVW; see GVW Selector in Truck Data Book for minimum requirements	
14,000-lb; requires 11,000-lb rear axle.....	Z51
Serial Number (State of Pennsylvania).....	Z55
<b>Shock Absorbers, Heavy-Duty:</b>	
Front and rear; included when 11,000-lb rear axle is ordered.....	F51
Rear; not available when 11,000-lb rear axle is ordered.....	G68
<b>Springs:</b> Not available when 11,000-lb rear axle is ordered	
Front, HD; capacity 2000-lb each.....	F60
Rear, main & auxiliary type; capacity 4150-lb each.....	G60
<b>Starting Motor, Heavy-Duty:</b> Includes HD battery. Not available when Turbo Hydra-matic transmission is ordered.....	K67
<b>Steering, Power</b> .....	N40
<b>Tires and Wheels:</b> See Tire & Wheel Section	

◇ State and local taxes not included.



# P30 SERIES STEP-VAN KING—GASOLINE

## OPTIONS AND ACCESSORIES WHEN INSTALLED BY UNION CITY BODY CO.

Description	Option Number	Factory D & H	List Price	Mfr's Suggested Retail Delivered Price <sup>◇</sup>
<b>Body Extension:</b>				
6" additional body length in load space .....	E32AR			
<b>Carrier, Spare Wheel: Inside-mounted</b>				
Left door pocket .....	E32LL			
Right door pocket .....	E32RL			
<b>Doors, Rear: Specify opening width and door type</b> (Replacing standard double doors with 38" opening)				
Double doors; 60" opening .....	E32AA			
Wraparound double doors; 74" opening; with piano hinges .....	E32AB			
Wraparound double doors; 74" opening; with strap hinges .....	E32AC			
<b>Floor: (Replacing 18-gauge corrugated floor)</b>				
Smooth floor; 11-gauge .....	E32AJ			
<b>Glass, Soft-Ray: Windshield only .....</b>				
	E32BU			
<b>Height Addition: 76" inside height .....</b>				
	E32BP			
<b>Lamps:</b>				
Dome; extra light mounted over load space .....	E32BB			
<b>Mirrors, Exterior: Specify location</b>				
LH (4" x 16" head) .....	E32BW			
RH (4" x 16" head) .....	E32BX			
<b>Paint, Exterior: See Color &amp; Trim Chart</b>				
Solid color (Chevrolet options) .....	E32			
Two-tone (Chevrolet options) .....	E32			
Body in Prime .....	E32BM			
<i>Special applications—Contact Union City Body Co. for prices</i>				
<b>Partition, Sliding: Plywood; located between driver's seat and load compartment .....</b>				
	E32AM			
<b>Seats:</b>				
Foam-rubber driver's seat .....	E32AN			
Passenger seat; same as standard driver's seat .....	E32BJ			
<b>Wheelhousings: Dual-wheel type</b>				
(Required with dual rear tires) .....	E32BH			
<b>Window, Sliding: Right front door .....</b>				
	E32BV			

*For special body work not covered by the above options, dealer should contact Union City Body Co., Union City, Indiana. Subsequent installation and payment for such special body work will be handled between the body company and the dealer.*

<sup>◇</sup> State and local taxes not included.

# P30 SERIES STEP-VAN KING (ALUMINUM)—GASOLINE

## OPTIONS AND ACCESSORIES WHEN INSTALLED BY UNION CITY BODY CO.

Description	Option Number	Factory D & H	List Price	Mfr's Suggested Retail Delivered Price <sup>◇</sup>
<b>Body Extension:</b>				
6" additional body length in load space.....	E33XF			
<b>Carrier, Spare Wheel:</b> Inside-mounted				
Left door pocket.....	E33LL			
Right door pocket.....	E33RL			
<b>Doors, Rear:</b> Specify opening width and door type (Replacing standard double doors with 38" opening)				
Double doors; 60" opening.....	E33XA			
Double doors; 74" opening with strap hinge.....	E33XB			
<b>Floor:</b> Smooth type				
For use with 10-ft body.....	E33XC			
For use with 12-ft body.....	E33XD			
For use with 14-ft body.....	E33XE			
<b>Glass, Soft-Ray:</b> Windshield only.....	E33BU			
<b>Height Addition:</b> 76" inside height.....	E33XJ			
<b>Lamps:</b>				
Dome; extra light mounted over load space.....	E33BB			
<b>Mirrors, Exterior:</b> Specify location and type				
LH (4" x 16" head).....	E33BW			
RH (4" x 16" head).....	E33BX			
<b>Paint, Exterior:</b> See <i>Color &amp; Trim Chart</i>				
Solid color (Chevrolet options).....	E33			
Two-tone (Chevrolet options).....	E33			
Body in Prime.....	E33XH			
<i>Special applications—Contact Union City Body Co. for prices</i>				
<b>Partition, Sliding:</b> Plywood; located between driver's seat and load compartment.....	E33AM			
<b>Seats:</b>				
Foam-rubber driver's seat.....	E33AN			
Passenger seat; same as standard driver's seat.....	E33BJ			
<b>Wheelhousings:</b> Dual-wheel type; includes fenders (Required with dual rear tires).....				
	E33XG			
<b>Window, Sliding:</b> Right front door.....	E33XK			

*For special body work not covered by the above options, dealer should contact Union City Body Co., Union City, Indiana. Subsequent installation and payment for such special body work will be handled between the body company and the dealer.*

◇ State and local taxes not included.

# P30 SERIES

## TUBE-TYPE TIRES (Factory Installed)

Tire Size and Type	Rim Width Included In Tire Option	Option Number	Factory D & H	List Price	Mfr's Suggested Retail Delivered Price <sup>⊕</sup>
--------------------	-----------------------------------	---------------	---------------	------------	---

**Dealer Note:** When dual rear tires are specified, the following equipment will be applied to the order as shown in the dual rear tire portion of the order form.

**THIS EQUIPMENT IS NOT PRICED IN THE TIRE OPTION AND WILL REFLECT ON THE INVOICE IN THE FOLLOWING MANNER:**

Includes dual rear chassis provisions and 4.57 ratio 7200-lb rear axle when 350 engine with Chevrolet 4-speed or Turbo Hydra-matic transmission is ordered on PE30 models. Also includes 5.14 ratio 7200-lb rear axle when 350 engine with New Process 4-speed close-ratio transmission or 250, 292 or 307 engine is ordered on PS-PE30 models. . . . . R05

**6.50-16/6PR Maximum Tire Capacity—Front (1610) Dual Rear (1420)**

—Highway Nylon	(2) Front . . . . .	5.50	R65
	(4) Dual rear . . . . .	5.50	R65
	(1) Spare . . . . .	5.50	R65

**7.00-16/6PR Maximum Tire Capacity—Front (1800) Dual Rear (1580)**

—Highway Nylon	(2) Front . . . . .	5.50	R78
	(4) Dual rear . . . . .	5.50	R78
	(1) Spare . . . . .	5.50	R78
—On-Off Road Nylon	(4) Dual rear . . . . .	5.50	R71
	(1) Spare . . . . .	5.50	R71

**7.50-16/6PR Maximum Tire Capacity—Front (2060) Rear (2060) Dual Rear (1815)**

—Highway Nylon	(2) Front (With Single Rear Wheels) . . . . .	6.00	R67
	(2) Front (With Dual Rear Wheels) . . . . .	5.50	R67
	(2) Rear (With Single Rear Wheels) . . . . .	6.00	R67
	(4) Dual Rear . . . . .	5.50	R67
	(1) Spare (With Single Rear Wheels) . . . . .	0.00	R67
	(1) Spare (With Dual Rear Wheels) . . . . .	5.50	R67
—On-Off Road Nylon	(2) Rear (With Single Rear Wheels) . . . . .	6.00	RM7
	(4) Dual Rear . . . . .	5.50	RM7
	(1) Spare (With Single Rear Wheels) . . . . .	6.00	RM7
	(1) Spare (With Dual Rear Wheels) . . . . .	5.50	RM7

**7.50-16/8PR Maximum Tire Capacity—Front (2440) Rear (2440) Dual Rear (2140)**

—Highway Nylon	(2) Front (With Single Rear Wheels) . . . . .	6.00	R68
	(2) Front (With Dual Rear Wheels) . . . . .	5.50	R68
	(2) Rear (With Single Rear Wheels) . . . . .	6.00	R68
	(4) Dual Rear . . . . .	5.50	R68
	(1) Spare (With Single Rear Wheels) . . . . .	6.00	R68
	(1) Spare (With Dual Rear Wheels) . . . . .	5.50	R68
—On-Off Road Nylon	(2) Rear (With Single Rear Wheels) . . . . .	6.00	RM8
	(4) Dual Rear . . . . .	5.50	RM8
	(1) Spare (With Single Rear Wheels) . . . . .	6.00	RM8
	(1) Spare (With Dual Rear Wheels) . . . . .	5.50	RM8

**7.50-16/10PR Maximum Tire Capacity—Front (2780) Rear (2780)**

—Highway Nylon	(2) Front . . . . .	6.00	RM5
	(2) Rear . . . . .	6.00	RM5
	(1) Spare . . . . .	6.00	RM5
—On-Off Road Nylon	(2) Rear . . . . .	6.00	RM6
	(1) Spare . . . . .	6.00	RM6

**7.00-18/8PR Maximum Tire Capacity—Front (2440) Dual Rear (2140)**

—Highway Nylon	(6) Front, Dual Rear . . . . .	5.00	R90
	(1) Spare . . . . .	5.00	R90

⊕ State and local taxes not included.

WIDE BASE TUBELESS TIRES (Factory Installed)

Tire Size and Type	Rim Width Included In Tire Option	Option Number	Factory D & H	List Price	Mfr's Suggested Retail Delivered Price <sup>◇</sup>
--------------------	-----------------------------------	---------------	---------------	------------	---

**Dealer Note:** When dual rear tires are specified, the following equipment will be applied to the order as shown in the dual rear tire portion of the order form.

**THIS EQUIPMENT IS NOT PRICED IN THE TIRE OPTION AND WILL REFLECT ON THE INVOICE IN THE FOLLOWING MANNER:**

Includes dual rear chassis provisions and 4.57 ratio 7200-lb rear axle when 350 engine with Chevrolet 4-speed or Turbo Hydra-matic transmission is ordered on model PE30. Also includes 5.14 ratio 7200-lb rear axle when 350 engine with New Process 4-speed close-ratio transmission or 250, 292 or 307 engine is ordered on models PS-PE30. . . . . RO5

**8.75-16.5/6PR Maximum Tire Capacity—Front (2045) Dual Rear (1800)**

—Highway Nylon	(2) Front	6.00	Std
	(1) Spare	6.00	RP5

**8.75-16.5/8PR Maximum Tire Capacity—Front (2350) Rear (2350)**

—Highway Nylon	(2) Front	6.00	RP6
	(2) Rear	6.00	Std
	(1) Spare	6.00	RP6
—On-Off Road Nylon	(2) Rear	6.00	RQ4
	(1) Spare	6.00	RQ4

**9.50-16.5/8PR Maximum Tire Capacity—Front (2780) Rear (2780)**

—Highway Nylon	(2) Front	6.75	RP9
	(2) Rear	6.75	RP9
	(1) Spare	6.75	RP9
—On-Off Road Nylon	(2) Rear	6.75	RQ5
	(1) Spare	6.75	RQ5

**9.50-16.5/10PR Maximum Tire Capacity Front (3170) Rear (3170)**

—Highway Nylon	(2) Front	6.75	RQ6
	(2) Rear	6.75	RQ6
	(1) Spare	6.75	RQ6
—On-Off Road Nylon	(2) Rear	6.75	RQ7
	(1) Spare	6.75	RQ7

**\*8-19.5/8PR Maximum Tire Capacity—Front (2780) Dual Rear (2440)**

—Highway Nylon	(2) Front	5.25	R98
	(4) Dual Rear	5.25	R98
	(1) Spare	5.25	R98
—On-Off Road Nylon	(4) Dual Rear	5.25	R97
	(1) Spare	5.25	R97

**\*8-19.5/10PR Maximum Tire Capacity—Front (3140) Dual Rear (2760)**

—Highway Nylon	(2) Front	5.25	R99
	(4) Dual Rear	5.25	R99
	(1) Spare	5.25	R99

SPARE WHEELS

Wheel Type	Option Number	Factory D & H	List Price	Mfr's Suggested Retail Delivered Price <sup>◇</sup>
------------	---------------	---------------	------------	---

For tubeless tires

16.5 x 6.00	QE6
16.5 x 6.75	QE7
19.5 x 5.25	Q36

For tube-type tires

16 x 5.50	S76
16 x 6.00	Q20
18 x 5.00	Q31

<sup>◇</sup> State and local taxes not included.

★ Available only when 11,000-lb rear axle is ordered.

---

# NOTES

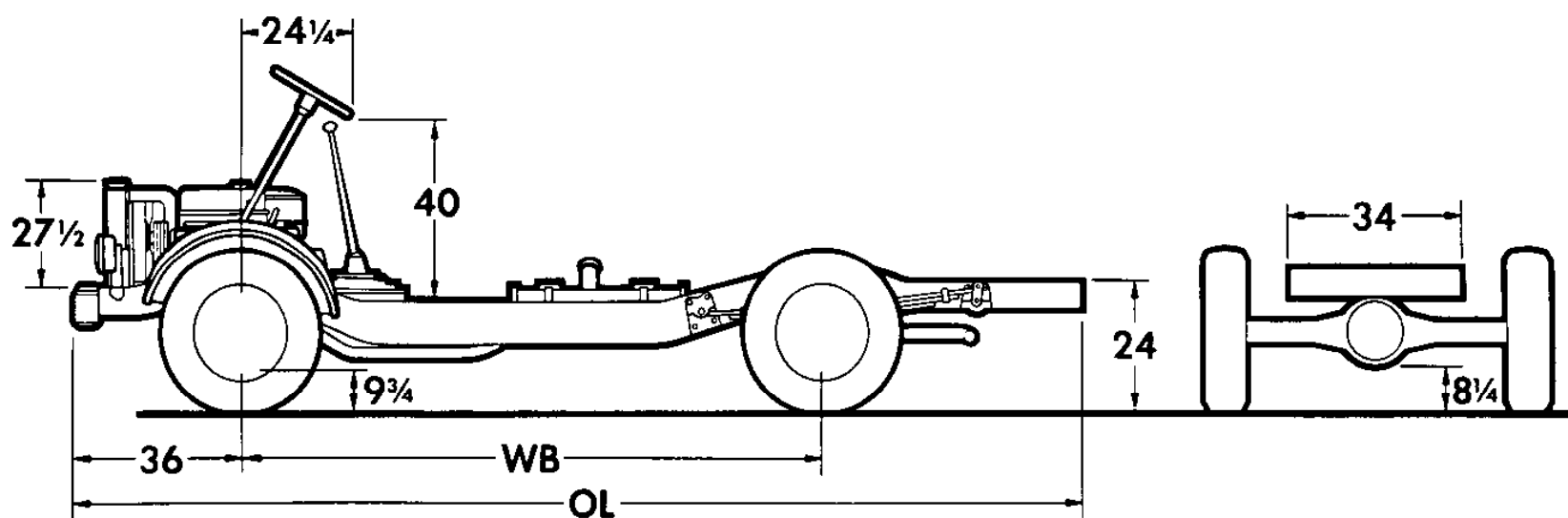
# SERIES P30 FC CHASSIS—DIESEL

GVW Ratings up to 10,000 lb

## SERIES P30—FC CHASSIS

**PT30842** FC Chassis  
**PT31042** FC Chassis  
**PT31442** FC Chassis

### DIMENSIONS (With std equipment, unloaded)



Models	Dimensions (in)		Curb Weights (lb)			Body-Payload Wt. Dist.	
	WB	OL	Front	Rear	Total	Front	Rear
<b>PT30842</b>	125	220	2300	1413	3713	<b>Determined by style, length &amp; weight of body.</b>	
<b>PT31042</b>	133	228	2359	1383	3742		
<b>PT31442</b>	157	252	2411	1448	3859		

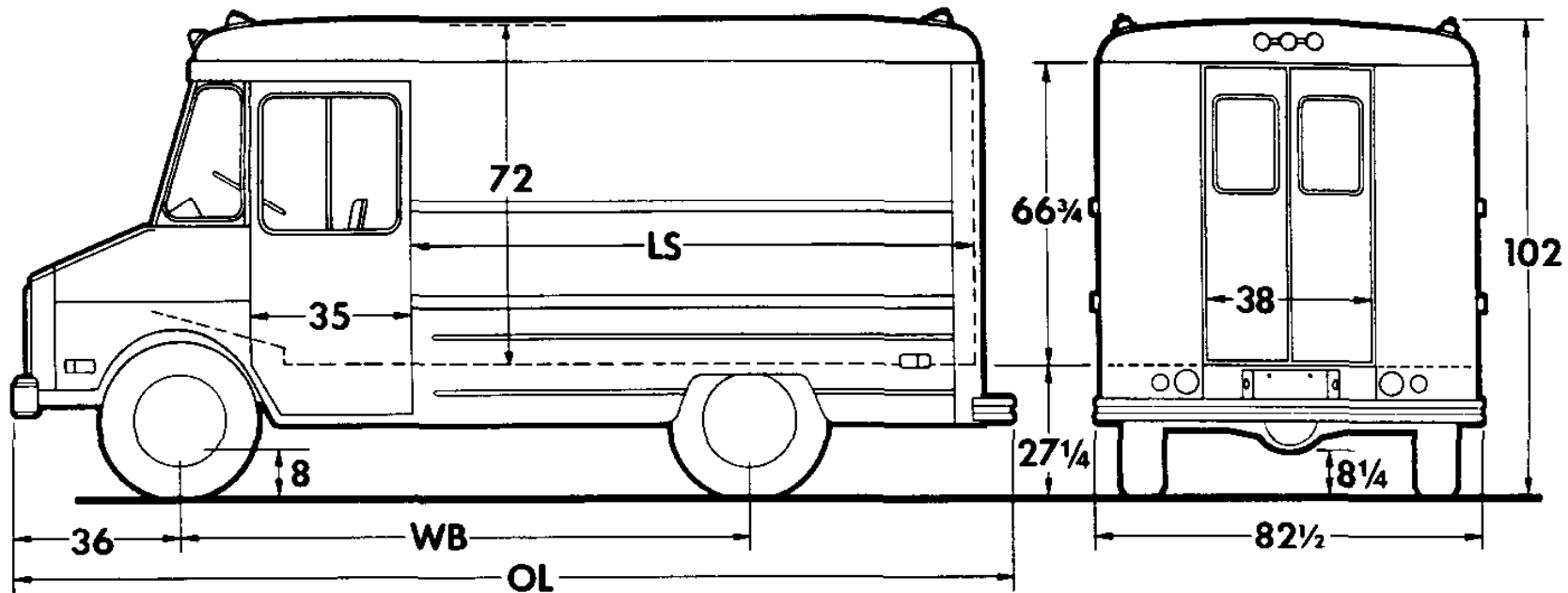
# SERIES P30 STEP-VAN KING—DIESEL

GVW Ratings up to 10,000 lb

## SERIES P30—STEP-VAN KING

- PT30835** Step-Van King
- PT31035** Step-Van King
- PT31435** Step-Van King

### DIMENSIONS (With std equipment, unloaded)



Models	Dimensions (in)			Curb Weights (lb)			Body-Payload Wt. Dist.*	
	WB	OL	LS	Front	Rear	Total	Front	Rear
<b>PT30835</b>	125	219½	122	2976	3125	6101	9%	91%
<b>PT31035</b>	133	243½	146	3220	3118	6338	6%	94%
<b>PT31435</b>	157	267½	170	3342	3335	6677	12%	88%

\*Estimate based on water-level loading

### Body Dimensions

Models	Body Type	LS (in)	Width (in)	Height (in)	Cubic Capacity (cu ft)
<b>PT30835</b>	Standard.....	122	77½	72	375
	Standard body with optional interior height.....	122	77½	76	397
	Optional body extension with standard interior height.....	128	77½	72	394½
	Optional body extension with optional interior height.....	128	77½	76	417½
<b>PT31035</b>	Standard.....	146	77½	72	450
	Standard body with optional interior height.....	146	77½	76	476
	Optional body extension with standard interior height.....	152	77½	72	469½
	Optional body extension with optional interior height.....	152	77½	76	496¾
<b>PT31435</b>	Standard.....	170	77½	72	525
	Standard body with optional interior height.....	170	77½	76	555
	Optional body extension with standard interior height.....	176	77½	72	544½
	Optional body extension with optional interior height.....	176	77½	76	576

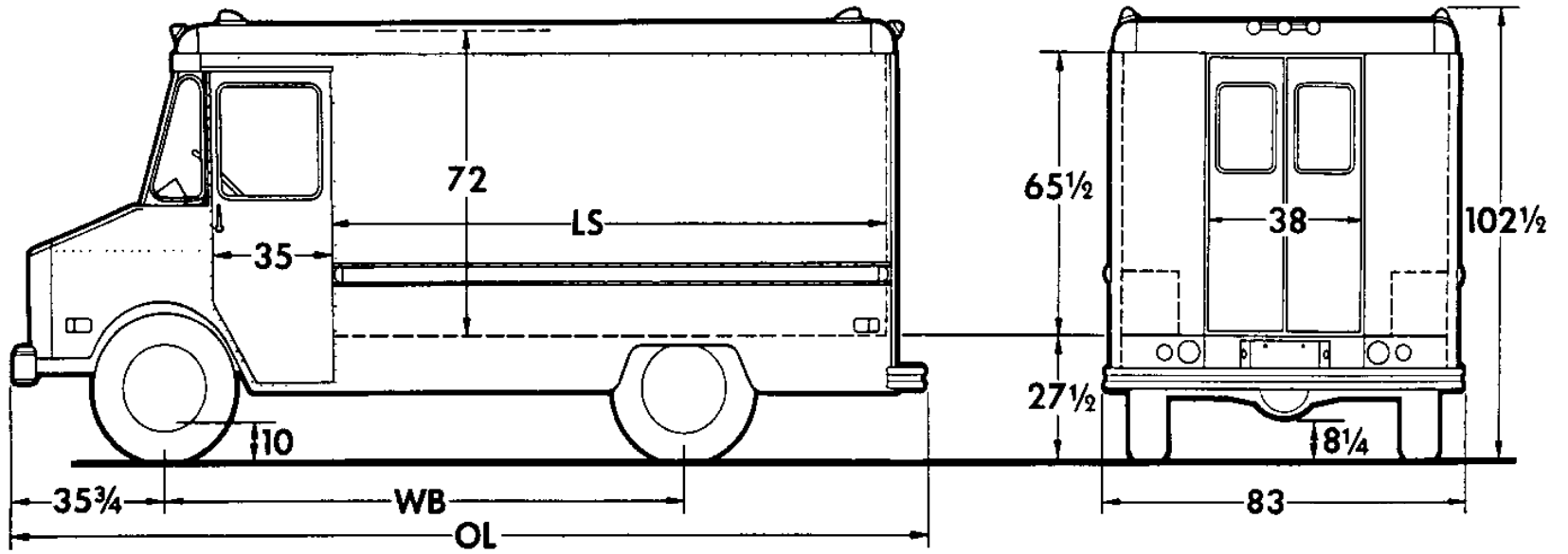
# SERIES P30 STEP-VAN KING ALUMINUM—DIESEL

GVW Ratings up to 10,000 lb

## SERIES P30—STEP-VAN KING ALUMINUM

- PT30855** Step-Van King Aluminum
- PT31055** Step-Van King Aluminum
- PT31455** Step-Van King Aluminum

### DIMENSIONS (With std equipment, unloaded)



Models	Dimensions (in)			Curb Weights (lb)			Body-Payload Wt. Dist.*	
	WB	OL	LS	Front	Rear	Total	Front	Rear
<b>PT30855</b>	125	216.7	123.5	2704	2735	5439	9%	91%
<b>PT31055</b>	133	240.6	147.5	2812	2725	5537	6%	94%
<b>PT31455</b>	157	264.7	171.6	2861	2853	5714	12%	88%

\*Estimate based on water-level loading

### Body Dimensions

Models	Body Type	LS (in)	Width (in)	Height (in)	Cubic Capacity (cu ft)
<b>PT30855</b>	Standard.....	123.5	77½	72	375
	Standard body with optional interior height.....	123.5	77½	76	397
	Optional body extension with standard interior height.....	129.5	77½	72	394
	Optional body extension with optional interior height.....	129.5	77½	76	417
<b>PT31055</b>	Standard.....	147.5	77½	72	450
	Standard body with optional interior height.....	147.5	77½	76	476
	Optional body extension with standard interior height.....	153.5	77½	72	469
	Optional body extension with optional interior height.....	153.5	77½	76	496
<b>PT31455</b>	Standard.....	171.5	77½	72	525
	Standard body with optional interior height.....	171.5	77½	76	555
	Optional body extension with standard interior height.....	177.5	77½	72	544
	Optional body extension with optional interior height.....	177.5	77½	76	576



# SERIES P30 FC CHASSIS—DIESEL

## STANDARD EQUIPMENT

**Air Cleaner:** Dual oil-bath; capacity 1 quart  
**Axle, Front:** Independent type; capacity 3500 lb  
**Axle, Rear:** Hypoid full-floating type; ratio 4.10; capacity 7200 lb  
**Battery:** 12-volt, 114-plate; capacity 150 amp-hr  
**Brakes, Service:** Hydraulic; self-adjusting; dual system  
 Sizes: front 11" x 2¾"; rear 13" x 2½"  
 Effective area: drum 395 sq in; lining 252 sq in  
**Brake, Parking:** Cable to rear wheels; area 132 sq in; Orscheln-type lever  
**Bumper:** Front only, painted  
**Clutch:** Diameter 12"; area 150 sq in  
**Cooling:** 1.98" radiator core, cross-flow type; 446-sq-in area; 13-lb pressure cap  
**Controls & Instruments:** Light switch; headlight beam control; speedometer; odometer; ammeter; fuel gauge; engine temperature gauge; oil pressure gauge; high beam indicator light; direction signal lights; fuel shut-off & emergency engine stop controls; brake warning light; ignition switch with accessory position  
**Direction Signals:** Includes Freeway lane-change position on switch and integral hazard warning switch. Wiring and lights furnished loose  
**Engine:** 3-53N Diesel, 3 cylinders  
 Gross horsepower . . . . . 82 @ 2500 rpm  
 Net horsepower . . . . . 76 @ 2500 rpm  
 Gross torque, lb-ft. . . . . 193 @ 1500 rpm  
 Net torque, lb-ft. . . . . 188 @ 1500 rpm  
**Exhaust System:** Single, fully aluminized  
**Filter, Fuel:** Two; replaceable elements

**Filter, Oil:** Full-flow; replaceable element; capacity 2 quarts  
**Frame:** 39,000-lb-test steel; section modulus 5.05 (PT308-310 models); 7.29 (PT314 models)  
**Generator:** 42-amp Delcotron  
**Governor:** 2500 rpm max  
**GVW Plate:** See GVW Selector  
**Lights:** Furnished in loose parts box—misc. wiring; two headlights; two Class A front combination parking/direction signals; two Class A rear combination tail/stop/direction; two license; instrument panel  
**Shock Absorbers:** Front and rear; piston diameter 1"  
**Springs, Front:** Coil; capacity 2000 lb each at ground  
**Springs, Rear:** Leaf; capacity 3100 lb each at ground  
**Stabilizer Bar:** Front and rear  
**Steering:** Ball-gear, ratio 27.7:1; wheel diameter 19"; 2-spoke  
**Tank, Fuel:** Outside RH frame rail; capacity approx 30 gallons  
**Tires:** Four tubeless 8.75-16.5/6PR nylon front and 8.75-16.5/8PR single rear  
**Tools:** Wheel wrench  
**Transmission:** New Process 435CR 4-speed; ratios 4.56, 2.28, 1.31, 1.00, 5.64 (rev); SAE 6-bolt power take-off opening on R.H. side  
**Wheels:** Four 16.5" x 6.0"; attachment, 8 studs on 6½" circle. Four hub caps

## GVW SELECTOR

GVW Rating (lb)	Chassis Equipment Required for GVW Rating
7700	Standard
10,000	4150-lb ea rear spring

**Note:** Be sure to recommend adequate springs and tires for total axle loads. See *Optional Equipment and Tire & Wheel Combination* pages.

# SERIES P30 STEP-VAN KING—DIESEL SERIES P30 STEP-VAN KING ALUMINUM—DIESEL

## STANDARD EQUIPMENT

**Air Cleaner:** Dual oil-bath; capacity 1 quart  
**Axle, Front:** Independent, capacity 3500 lb  
**Axle, Rear:** Hypoid; full-floating type; ratio 4.10; capacity 7200 lb  
**Battery:** 12-volt, 114-plate; capacity 150 amp-hr  
**Brakes, Service:** Hydraulic; self-adjusting; dual system  
 Sizes: front 11" x 2¾"; rear 13" x 2½"  
 Effective area: drum 395 sq in; lining 252 sq in  
**Brake, Parking:** Cable to rear wheels; area 132 sq in; Orscheln-type lever  
**Bumper:** Front and rear, painted  
**Clutch:** Diameter 12"; area 150 sq in  
**Cooling:** 1.98" radiator core, cross-flow type; 446-sq-in area; 13-lb pressure cap  
**Controls & Instruments:** Light switch; windshield wiper-washer switch; headlight beam control; speedometer; odometer; ammeter; fuel gauge; engine temperature gauge; oil pressure gauge; high beam indicator light; direction signal lights; fuel shut-off & emergency engine stop controls; brake warning light; ignition switch with accessory position  
**Direction Signals:** Class A; two front & two rear; includes integral hazard warning switch  
**Engine:** 3-53N Diesel, 3 cylinders  
 Gross horsepower..... 82 @ 2500 rpm  
 Net horsepower..... 76 @ 2500 rpm  
 Gross torque, lb-ft..... 193 @ 1500 rpm  
 Net torque, lb-ft..... 188 @ 1500 rpm  
**Exhaust System:** Single, fully aluminized  
**Filter, Fuel:** Two; replaceable elements  
**Filter, Oil:** Full-flow; replaceable element; capacity 2 quarts  
**Frame:** 39,000-lb-test steel; section modulus 5.05 (PT308-310 models); 7.29 (PT314 models)

**Generator:** 42-amp Delcotron  
**Governor:** 2500 rpm max  
**GVW Plate:** See GVW Selector  
**Heater & Defroster:** Deluxe-Air  
**Lights:** Two headlights; two Class A front combination parking/direction signals; two Class A rear combination tail/stop/direction signals; two front side marker; two rear side marker; five front identification & clearance; five rear identification & clearance; two backup; two license; instrument panel & dome  
**Mirror, Rearview:** Exterior RH & LH 7½" fixed arm  
**Seat:** Driver only; vinyl trim  
**Shock Absorbers:** Front and rear; piston diameter 1"  
**Springs, Front:** Coil; capacity 2000 lb each at ground  
**Springs, Rear:** Leaf; capacity 3100 lb each at ground  
**Stabilizer Bar:** Front and rear  
**Steering:** Ball-gear, ratio 27.7:1; wheel diameter 19"; 2-spoke  
**Tank, Fuel:** Outside RH frame rail; capacity approx 30 gallons  
**Tires:** Four tubeless 8.75-16.5/6PR nylon front and 8.75-16.5/8PR single rear  
**Tools:** Wheel wrench  
**Transmission:** New Process 435 CR 4-speed; ratios 4.56, 2.28, 1.31, 1.00, 5.64 (rev); SAE 6-bolt power take-off opening on RH side  
**Wheels:** Four 16.5" x 6.0"; attachment, 8 studs on 6½" circle. Four hub caps  
**Windshield Wipers & Washer:** Electric; 2-speed wipers

## GVW SELECTOR

GVW Rating (lb)	Chassis Equipment Required for GVW Rating
7700	Standard
10,000	4150-lb ea rear spring

**Note:** Be sure to recommend adequate springs and tires for total axle loads. See Optional Equipment and Tire & Wheel Combination pages.



# P30 SERIES STEP-VAN KING—DIESEL

## OPTIONS AND ACCESSORIES WHEN INSTALLED BY UNION CITY BODY CO.

Description	Option Number	Factory D & H	List Price	Mfr's Suggested Retail Delivered Price <sup>◇</sup>
<b>Body Extension:</b> 6" additional body length in load space.....	E32AR			
<b>Carrier, Spare Wheel:</b> Inside-mounted				
Left door pocket.....	E32LL			
Right door pocket.....	E32RL			
<b>Doors, Rear:</b> Specify opening width and door type (Replacing standard double doors with 38" opening)				
Double doors; 60" opening.....	E32AA			
Wraparound double doors; 74" opening; with piano hinges.....	E32AB			
Wraparound double doors; 74" opening; with strap hinges.....	E32AC			
<b>Floor:</b> (Replacing 18-gauge corrugated floor)				
Smooth floor; 11-gauge.....	E32AJ			
<b>Glass, Soft-Ray:</b> Windshield only.....	E32BU			
<b>Height Addition:</b> 76" inside height.....	E32BP			
<b>Lamps:</b>				
Dome; extra light mounted over load space.....	E32BB			
<b>Mirrors, Exterior:</b> Specify location				
LH (4" x 16" head).....	E32BW			
RH (4" x 16" head).....	E32BX			
<b>Paint, Exterior:</b> See Color & Trim Chart				
Solid colors (Chevrolet options).....	E32			
Two-tone (Chevrolet options).....	E32			
Body in Prime.....	E32BM			
<i>Special applications—Contact Union City Body Co. for prices</i>				
<b>Partition, Sliding:</b> Plywood; located between driver's seat and load compartment.....	E32AM			
<b>Seats:</b>				
Foam-rubber driver's seat.....	E32AN			
Passenger seat; same as standard driver seat.....	E32BJ			
<b>Wheelhousings:</b> Dual-wheel type (Required with dual rear tires).....				
	E32BH			
<b>Window, Sliding:</b> Right front door.....	E32BV			

*For special body work not covered by the above options, dealer should contact Union City Body Co., Union City, Indiana. Subsequent installation and payment for such special body work will be handled between the body company and the dealer.*

◇ State and local taxes not included.

# P30 SERIES STEP-VAN KING (ALUMINUM)—DIESEL

## OPTIONS AND ACCESSORIES WHEN INSTALLED BY UNION CITY BODY CO.

Description	Option Number	Factory D & H	List Price	Mr's Suggested Retail Delivered Price <sup>◇</sup>
<b>Body Extension:</b>				
6" additional body length in load space	E33XF			
<b>Carrier, Spare Wheel: Inside-mounted</b>				
Left door pocket	E33LL			
Right door pocket	E33RL			
<b>Doors, Rear: Specify opening width and door type (Replacing standard double doors with 38" opening)</b>				
Double doors; 60" opening	E33XA			
Double doors; 74" opening with strap hinge	E33XB			
<b>Floor: Smooth type</b>				
For use with 10-ft body	E33XC			
For use with 12-ft body	E33XD			
For use with 14-ft body	E33XE			
<b>Glass, Soft-Ray: Windshield only</b>	E33BU			
<b>Height Addition: 76" inside height</b>	E33XJ			
<b>Lamps:</b>				
Dome; extra light mounted over load space	E33BB			
<b>Length Addition: 6" additional body length in load space</b>	E33XF			
<b>Mirrors, Exterior: Specify location and type</b>				
LH (4" x 16" head)	E33BW			
RH (4" x 16" head)	E33BX			
<b>Paint, Exterior: See Color &amp; Trim Chart</b>				
Solid color (Chevrolet options)	E33			
Two-tone (Chevrolet options)	E33			
Body in Prime	E33XH			
<i>Special applications—Contact Union City Body Co. for prices</i>				
<b>Partition, Sliding: Plywood; located between driver's seat and load compartment</b>	E33AM			
<b>Seats:</b>				
Foam-rubber driver seat	E33AN			
Passenger seat; same as standard driver seat	E33BJ			
<b>Wheelhousings: Dual-wheel type; includes fenders (Required with dual rear tires)</b>	E33XG			
<b>Window, Sliding: Right front door</b>	E33XK			

*For special body work not covered by the above options, dealer should contact Union City Body Co., Union City, Indiana. Subsequent installation and payment for such special body work will be handled between the body company and the dealer.*

<sup>◇</sup> State and local taxes not included.

TUBE-TYPE TIRES (Factory Installed)

Tire Size and Type	Rim Width Included In Tire Option	Option Number	Factory D & H	List Price	Mfr's Suggested Retail Delivered Price
--------------------	-----------------------------------	---------------	---------------	------------	--

**Dealer Note:** When dual rear tires are specified, the following equipment will be applied to the order as shown in the dual rear tire portion of the order form.

**THIS EQUIPMENT IS NOT PRICED IN THE TIRE OPTION AND WILL REFLECT ON THE INVOICE IN THE FOLLOWING MANNER:**

Includes dual rear chassis provisions and 4.57 ratio 7200-lb rear axle when 350 engine with Chevrolet 4-speed or Turbo Hydra-matic transmission is ordered on PE30 models. Also includes 5.14 ratio 7200-lb rear axle when 350 engine with New Process 4-speed close-ratio transmission or 250, 292 or 307 engine is ordered on PS-PE30 models. R05

**6.50-16/6PR Maximum Tire Capacity—Front (1610) Dual Rear (1420)**

—Highway Nylon	(2) Front	5.50	R65
	(4) Dual rear	5.50	R65
	(1) Spare	5.50	R65

**7.00-16/6PR Maximum Tire Capacity—Front (1800) Dual Rear (1580)**

—Highway Nylon	(2) Front	5.50	R78
	(4) Dual rear	5.50	R78
	(1) Spare	5.50	R78
—On-Off Road Nylon	(4) Dual rear	5.50	R71
	(1) Spare	5.50	R71

**7.50-16/6PR Maximum Tire Capacity—Front (2060) Rear (2060) Dual Rear (1815)**

—Highway Nylon	(2) Front (With Single Rear Wheels)	6.00	R67
	(2) Front (With Dual Rear Wheels)	5.50	R67
	(2) Rear (With Single Rear Wheels)	6.00	R67
	(4) Dual Rear	5.50	R67
	(1) Spare (With Single Rear Wheels)	0.00	R67
	(1) Spare (With Dual Rear Wheels)	5.50	R67
—On-Off Road Nylon	(2) Rear (With Single Rear Wheels)	6.00	RM7
	(4) Dual Rear	5.50	RM7
	(1) Spare (With Single Rear Wheels)	6.00	RM7
	(1) Spare (With Dual Rear Wheels)	5.50	RM7

**7.50-16/8PR Maximum Tire Capacity—Front (2440) Rear (2440) Dual Rear (2140)**

—Highway Nylon	(2) Front (With Single Rear Wheels)	6.00	R68
	(2) Front (With Dual Rear Wheels)	5.50	R68
	(2) Rear (With Single Rear Wheels)	6.00	R68
	(4) Dual Rear	5.50	R68
	(1) Spare (With Single Rear Wheels)	6.00	R68
	(1) Spare (With Dual Rear Wheels)	5.50	R68
—On-Off Road Nylon	(2) Rear (With Single Rear Wheels)	6.00	RM8
	(4) Dual Rear	5.50	RM8
	(1) Spare (With Single Rear Wheels)	6.00	RM8
	(1) Spare (With Dual Rear Wheels)	5.50	RM8

**7.50-16/10PR Maximum Tire Capacity—Front (2780) Rear (2780)**

—Highway Nylon	(2) Front	6.00	RM5
	(2) Rear	6.00	RM5
	(1) Spare	6.00	RM5
—On-Off Road Nylon	(2) Rear	6.00	RM6
	(1) Spare	6.00	RM6

**7.00-18/8PR Maximum Tire Capacity—Front (2440) Dual Rear (2140)**

—Highway Nylon	(6) Front, Dual Rear	5.00	R90
	(1) Spare	5.00	R90

◇ State and local taxes not included.

# P30 SERIES

## WIDE BASE TUBELESS TIRES (Factory Installed)

Tire Size and Type	Rim Width Included In Tire Option	Option Number	Factory D & H	List Price	Mfr's Suggested Retail Delivered Price <sup>◇</sup>
--------------------	-----------------------------------	---------------	---------------	------------	---

**Dealer Note:** When dual rear tires are specified, the following equipment will be applied to the order as shown in the dual rear tire portion of the order form.

**THIS EQUIPMENT IS NOT PRICED IN THE TIRE OPTION AND WILL REFLECT ON THE INVOICE IN THE FOLLOWING MANNER:**

Includes dual rear chassis provisions and 4.57 ratio 7200-lb rear axle when 350 engine with Chevrolet 4-speed or Turbo Hydra-matic transmission is ordered on model PE30. Also includes 5.14 ratio 7200-lb rear axle when 350 engine with New Process 4-speed close-ratio transmission or 250, 292 or 307 engine is ordered on models PS-PE30. . . . . R05

**8.75-16.5/8PR Maximum Tire Capacity—Front (2045) Dual Rear (1800)**

—Highway Nylon	(2) Front . . . . .	6.00	Std
	(1) Spare . . . . .	6.00	RPS

**8.75-16.5/8PR Maximum Tire Capacity—Front (2350) Rear (2350)**

—Highway Nylon	(2) Front . . . . .	6.00	RP6
	(2) Rear . . . . .	6.00	Std
	(1) Spare . . . . .	6.00	RP6
—On-Off Road Nylon	(2) Rear . . . . .	6.00	RQ4
	(1) Spare . . . . .	6.00	RQ4

**9.50-16.5/8PR Maximum Tire Capacity—Front (2780) Rear (2780)**

—Highway Nylon	(2) Front . . . . .	6.75	RP9
	(2) Rear . . . . .	6.75	RP9
	(1) Spare . . . . .	6.75	RP9
—On-Off Road Nylon	(2) Rear . . . . .	6.75	RQ5
	(1) Spare . . . . .	6.75	RQ5

**9.50-16.5/10PR Maximum Tire Capacity Front (3170) Rear (3170)**

—Highway Nylon	(2) Front . . . . .	6.75	RQ6
	(2) Rear . . . . .	6.75	RQ6
	(1) Spare . . . . .	6.75	RQ6
—On-Off Road Nylon	(2) Rear . . . . .	6.75	RQ7
	(1) Spare . . . . .	6.75	RQ7

**\*8-19.5/8PR Maximum Tire Capacity—Front (2780) Dual Rear (2440)**

—Highway Nylon	(2) Front . . . . .	5.25	R98
	(4) Dual Rear . . . . .	5.25	R98
	(1) Spare . . . . .	5.25	R98
—On-Off Road Nylon	(4) Dual Rear . . . . .	5.25	R97
	(1) Spare . . . . .	5.25	R97

**\*8-19.5/10PR Maximum Tire Capacity—Front (3140) Dual Rear (2760)**

—Highway Nylon	(2) Front . . . . .	5.25	R99
	(4) Dual Rear . . . . .	5.25	R99
	(1) Spare . . . . .	5.25	R99

### SPARE WHEELS

Wheel Type	Option Number	Factory D & H	List Price	Mfr's Suggested Retail Delivered Price <sup>◇</sup>
------------	---------------	---------------	------------	---

*For tubeless tires*

16.5 x 6.00 . . . . .	QE6
16.5 x 6.75 . . . . .	QE7
19.5 x 5.25 . . . . .	Q36

*For tube-type tires*

16 x 5.50 . . . . .	S76
16 x 6.00 . . . . .	Q20
18 x 5.00 . . . . .	Q31

◇ State and local taxes not included.

★ Available only when 11,000-lb rear axle is ordered.