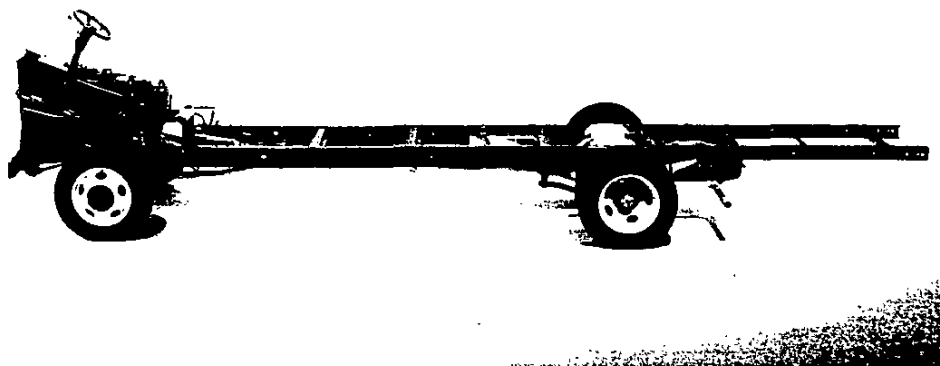


MOTOR HOME CHASSIS**CONTENTS**

	<u>Page</u>
MODELS	2
POWERTRAINS	3
STANDARD SUSPENSION	5
OPTIONAL SUSPENSION	6
WHEELS AND TIRES	7
FRAME/STEERING/BRAKES	8
ELECTRICAL	9
COOLING	10
DIMENSIONS	11
OPTIONS	12

NOTE: All Motor Home Chassis models are for recreational vehicle use only and are not to be used for the mounting of any type of commercial body.

MOTOR HOME CHASSIS

P30 MOTOR HOME CHASSIS (137-IN. WB)	WB (IN.)	GVWR (LBS.)	MAX' PAYLOAD (LBS.)	STD ENGINE/ TRANS	OPT ENGINE/ TRANS	MODEL/ BODY CODE
	137	10,500	6364	7.4L V8/A4	6.2L V8/A4	CP31132/ZW9
	137	11,000	6853	7.4L V8/A4	6.2L V8/A4	CP31132/ZW9/F66 ²
	137	11,800	7669	7.4L V8/A4	6.2L V8/A4	CP31132/ZW9/G50
	137	12,300	8158	7.4L V8/A4	6.2L V8/A4	CP31132/ZW9/G50/F66
P30 MOTOR HOME CHASSIS (158.5-IN. WB)	WB (IN.)	GVWR (LBS.)	MAX' PAYLOAD (LBS.)	STD ENGINE/ TRANS	OPT ENGINE/ TRANS	MODEL/ BODY CODE
	158.5	10,500	6244	7.4L V8/A4	6.2L V8/A4	CP31432/ZW9
	158.5	11,000	6733	7.4L V8/A4	6.2L V8/A4	CP31432/ZW9/F66 ²
	158.5	11,800	7549	7.4L V8/A4	6.2L V8/A4	CP31432/ZW9/G50
	158.5	12,300	8038	7.4L V8/A4	6.2L V8/A4	CP31432/ZW9/G50/F66
	158.5	14,500	10,244	7.4L V8/A4	6.2L V8/A4	CP31432/ZW9/HC7
P30 MOTOR HOME CHASSIS (178-IN. WB)	WB (IN.)	GVWR (LBS.)	MAX' PAYLOAD (LBS.)	STD ENGINE/ TRANS	OPT ENGINE/ TRANS	MODEL/ BODY CODE
	178	14,500	9872	7.4L V8/A4	—	CP31832/ZW9/HC4
	178	16,000	11,240	7.4L V8/A4	—	CP31832/ZW9/F44
P30 MOTOR HOME CHASSIS (190-IN. WB)	WB (IN.)	GVWR (LBS.)	MAX' PAYLOAD (LBS.)	STD ENGINE/ TRANS	OPT ENGINE/ TRANS	MODEL/ BODY CODE
	190	14,500	9637	7.4L V8/A4	—	CP31932/ZW9/HC4
	190	16,000	11,005	7.4L V8/A4	—	CP31932/ZW9/F44
P30 MOTOR HOME CHASSIS (208-IN. WB)	WB (IN.)	GVWR (LBS.)	MAX' PAYLOAD (LBS.)	STD ENGINE/ TRANS	OPT ENGINE/ TRANS	MODEL/ BODY CODE
	208	14,500	9615	7.4L V8/A4	—	CP32032/ZW9/HC4
	208	16,000	10,983	7.4L V8/A4	—	CP32032/ZW9/F44

P30 MOTOR HOME CHASSIS (137-IN. WB)
The P30 Motor Home Chassis 137-inch wheelbase model is offered in a choice of four GVWR's with either gasoline or diesel power.

P30 MOTOR HOME CHASSIS (158.5-IN. WB)
The P30 Motor Home Chassis 158.5-inch wheelbase model offers a longer wheelbase and additional GVWR capacities when compared to the 137-inch model. Both gasoline and diesel power are offered.

P30 MOTOR HOME CHASSIS (178-IN. WB)
The P30 178-inch wheelbase model offers an increased wheelbase compared to the 137-inch and 158.5-inch wheelbase versions. It is available in two GVWR's with a 7.4-liter V8 gasoline engine.

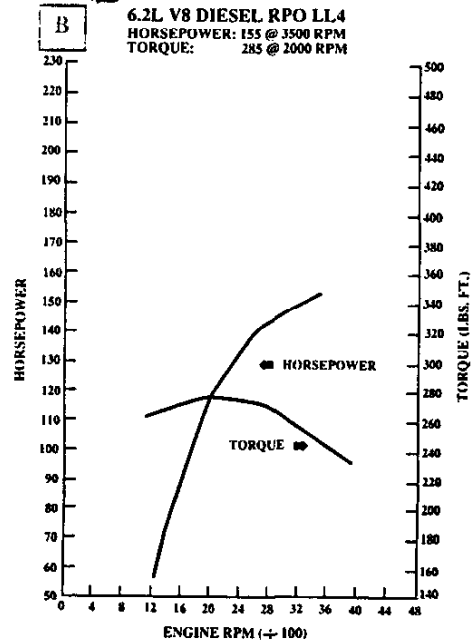
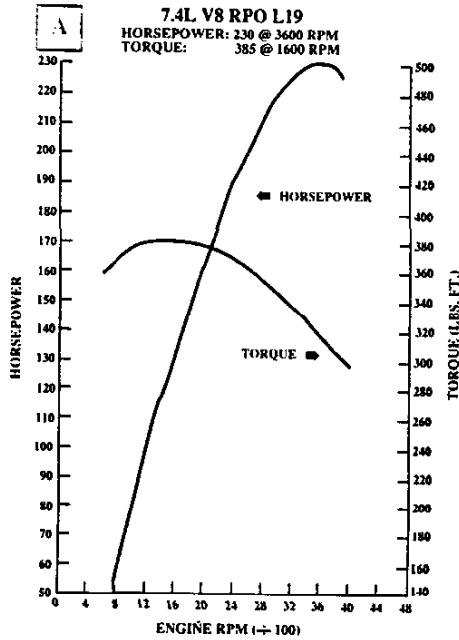
P30 MOTOR HOME CHASSIS (190-IN. WB)
The P30 Motor Home Chassis 190-inch wheelbase model offers increased wheelbase length in comparison to the previous three Motor Home Chassis models. It is offered in two GVWR's with a 7.4-liter V8 gasoline engine.

P30 MOTOR HOME CHASSIS (208-IN. WB)
The P30 Motor Home Chassis 208-inch wheelbase model offers the longest wheelbase of the P30 series. It is offered in two GVWR's with a 7.4-liter V8 gasoline engine.

¹ Based on Curb Weight

² Reqs 7.50-16D tires.

HORSEPOWER AND TORQUE RATINGS		
ENGINES	7.4L V8	6.2L V8 DIESEL
RPO CODE	L19	LL4
CHART REFERENCE CODE	A	B
SAE NET HORSEPOWER @ RPM	230 @ 3600	155 @ 3500
SAE NET TORQUE LB. FT. @ RPM	385 @ 1600	285 @ 2000
FUEL SYSTEM	EFI	Gear Driven Mechanical Fuel Injection
CLUTCH SIZE (IN.)	—	—
STD. BATTERY (Cold Cranking Amps @ 0° F)	630	2 @ 540 each



KEY: S - Standard
O - Optional
— Not Available

MODEL	ENGINE	TRANSMISSION (MX0) AUTO 4-SPEED	AXLES					GVWR
			Economy ————— Power					
			4.10	4.56	4.63	4.88	5.13	
P30 MOTOR HOME CHASSIS CP31132 (137-IN. WB) CP31432 (158.5-IN. WB)	7.4L V8 (L19)	S	S ¹	O	—	—	—	10,500 11,000 11,800 12,300
		S	—	S	—	O	—	14,500 ²
		S	S ¹	O	—	—	—	10,500
	6.2L V8 (LL4) Diesel	S	—	S	—	—	—	11,000
		S	S ¹	O	—	—	—	11,800
		S	—	S	—	—	—	12,300
		S	—	—	—	—	S ¹	14,500 ²
P30 MOTOR HOME CHASSIS CP31832 (178-IN. WB) CP31932 (190-IN. WB) CP32032 (208-IN. WB)	7.4L V8 (L19)	S	—	S	—	O	—	14,500
		S	—	—	S ¹	—	O ¹	16,000

¹ N/A G80 Locking Differential. ² CP31432 Models Only.

TRANSMISSION		AUTOMATIC	
MODEL		4-SPEED W/OVERDRIVE 4L80-E	
RPO CODE		MX0	
GEAR RATIOS			
First		2.48	
Second		1.48	
Third		1.00	
Fourth		.75	
Reverse		2.08	
GEAR TYPE		Planetary	
TORQUE CONVERTER		Pump/Stator/Turbine Automatic	
Element Types			
Lock-up Clutch			
LUBRICANT			
CAPACITY (pints)		13.5	
Dry Fill		6	
Refill			

AXLES	REAR						
MAKE AND CAPACITY (lbs.)	GM ⁴ 7900 Full-Floating		Dana ^{1,4} 10,000 Full-Floating			Dana ⁴ 10,500 Full-Floating	
PINION & RING GEARS	Hypoid		Hypoid			Hypoid	
Type							
Ratio	4.10	4.56	4.56	4.88	5.13 ²	4.63	5.13
Pinion Teeth	10	9	9	8	8	8	8
Ring Gear Teeth	41	41	41	39	41	37	41
Ring Gear Dia. (in.)	10.5	10.5	10.5	10.5	10.5	11.3	11.3
DIFFERENTIAL	4-Pinion Tapered Roller		4-Pinion Tapered Roller			4-Pinion Tapered Roller	
Type							
Bearings, Type							
AXLE SHAFTS	Full-Floating Integral Shaft and Drive Flange		Full-Floating Integral Shaft Spline Attach w/Cap			Full-Floating Integral Shaft Spline Attach w/Cap	
Type							
Min. Diameter (in.)	1.34		1.38			1.38	
HOUSING @ SPRING SEAT	3.38 x .282		4.0 (Tubular) ³ .314 (Wall)			4.0 (Tubular) ³ .314 (Wall)	
Section Diameter and Thickness (in.)							

¹ 14,500 lb. GVWR Only. ² Diesel Models Only ³ Dana models have Tubular Section Only.
⁴ Refer to Standard and Optional Suspension pages 5 and 6 for specific model availability.

MODEL	P30 MOTOR HOME CHASSIS (137-IN. WB)		P30 MOTOR HOME CHASSIS (158.5-IN. WB)		P30 MOTOR HOME CHASSIS (178-IN. WB)	P30 MOTOR HOME CHASSIS (190-IN. WB)	P30 MOTOR HOME CHASSIS (208-IN. WB)
	CP31132/ZW9		CP31432/ZW9		CP31832/ZW9	CP31932/ZW9	CP32032/ZW9
MODEL NUMBER	GAS	B3J	GAS	B3J	GAS	GAS	GAS
STANDARD SUSPENSION							
PAYLOAD (Max. lbs.) ¹	6364	5882	6244	5995	9872	9637	9615
GVWR (lbs.)	10,500		10,500		14,500	14,500	14,500
GAWR (lbs.): Front Rear	4300 6200		4300 6200		5000 9840	5000 9840	5000 9840
FRONT SUSPENSION Type (Total lbs.)	Independent Coil w/Aux. Air Spring 4400		Independent Coil w/Aux. Air Spring 4400		Independent Coil w/Aux. Air Spring 5000	Independent Coil w/Aux. Air Spring 5000	Independent Coil w/Aux. Air Spring 5000
Front Shock Absorbers Piston Diameter (mm)	32		32		32	32	32
REAR SUSPENSION Type	Semi-Elliptic 2-Stage Multi-Leaf		Semi-Elliptic 2-Stage Multi-Leaf		Semi-Elliptic 2-Stage Multi-Leaf	Semi-Elliptic 2-Stage Multi-Leaf	Semi-Elliptic 2-Stage Multi-Leaf
Standard Spring Capacity (Total lbs.)	6200		6200		10,000	10,000	10,000
Leaves Per Spring	7		7		10	10	10
Leaf Total Thickness (in.)	2.66		2.66		4.04	4.04	4.04
Rear Shock Absorbers Piston Diameter (mm)	32		32		32	32	32
FRONT AXLE Type Make Maximum Capacity (lbs.) Standard Hub Locks Pinion/Ring Gear Type	— — 4300 — —		— — 4300 — —		I-Beam — 5000 — —	I-Beam — 5000 — —	I-Beam — 5000 — —
REAR AXLE Type Make Maximum Capacity (lbs.) Pinion/Ring Gear Type	Full-Floating GM 7900 Hypoid		Full-Floating GM 7900 Hypoid		Full-Floating Dana 10,000 Hypoid	Full-Floating Dana 10,000 Hypoid	Full-Floating Dana 10,000 Hypoid
STANDARD TIRES Front Rear Capacity (lbs.) each Front/Rear Inflation (PSI) Max. Revolutions per mile @ 45 MPH	Tubeless SBR LT215/85R16D LT215/85R16C 2335/1940 65/50 682		Tubeless SBR LT215/85R16D LT215/85R16C 2335/1940 65/50 682		Tubeless SBR 8-19.5D 8-19.5D 2780 65 613	Tubeless SBR 8-19.5D 8-19.5D 2780 65 613	Tubeless SBR 8-19.5D 8-19.5D 2780 65 613
WHEELS Size (in.) Capacity (lbs.) each Bolt Holes Bolt Circle Diameter Offset	16.0 x 6.5L 2780 8 6.5 22		16.0 x 6.5L 2780 8 6.5 22		19.5 x 6.0 2540 10 6.5 127	19.5 x 6.0 2540 10 6.5 127	19.5 x 6.0 2540 10 6.5 127

¹Based on Curb Weight.

MODEL	P30 MOTOR HOME CHASSIS (137-IN. WB)						P30 MOTOR HOME CHASSIS (158.5-IN. WB)						P30 MOTOR HOME CHASSIS					
	CP31132/ZW9						CP31432/ZW9						(178-IN. WB)	(190-IN. WB)	(208-IN. WB)			
MODEL NUMBER	GAS			B3J			GAS			B3J			CP31832/ ZW9	CP31932/ ZW9	CP32032/ ZW9			
OPTIONAL SUSPENSION																		
OPTION	F66	G50	G50/ F66	F66	G50	G50/ F66	F66	G50	G50/ F66	HC7, HF7, or HF8	F66	G50	G50/ F66	HC7, HF7, or HF8	F44	F44	F44	
PAYLOAD (Maximum lbs.) ¹	6853	7669	8158	6602	7418	7907	6733	7549	8083	9993	6482	7298	7787	9742	11,240	11,005	10,983	
GVWR (lbs.)	11,000	11,800	12,300	11,000	11,800	12,300	11,000	11,800	12,300	14,500	11,000	11,800	12,300	14,500	16,000	16,000	16,000	
GAWR (lbs.) Front Rear	4880 6200	4300 7500	4880 7500	4880 6200	4300 7500	4880 7500	4880 6200	4300 7500	4880 7500	5000 9840	4880 6200	4300 7500	4880 7500	5000 9840	5500 10,500	5500 10,500	5500 10,500	
FRONT SUSPENSION Type	Independent Coil w/Aux. Air Spring			Independent Coil w/Aux. Air Spring			Independent Coil w/Aux. Air Spring				Independent Coil w/Aux. Air Spring				Independent Coil w/Aux. Air Spring			
Standard Spring Cap. (Total lbs.)	5000	4400	5000	5000	4400	5000	5000	4400	5000	5000	5000	4400	5000	5000	5500	5500	5500	
Front Shock Absorbers Piston Diameter (mm)	32			32			32				32				32	32	32	
REAR SUSPENSION Type	Semi-Elliptic 2-Stage Multi-Leaf			Semi-Elliptic 2-Stage Multi-Leaf			Semi-Elliptic 2-Stage Multi-Leaf				Semi-Elliptic 2-Stage Multi-Leaf				Semi-Elliptic 2-Stage Multi-Leaf			
Standard Spring Cap. (Total lbs.)	6200	7500	7500	6200	7500	7500	6200	7500	7500	10,000	6200	7500	7500	10,000	10,500			
Leaves Per Spring Leaf Total Thickness (in.)	7 2.66	8 2.97	8 2.97	7 2.66	8 2.97	8 2.97	7 2.66	8 2.97	8 2.97	10 4.04	7 2.66	8 2.97	8 2.97	10 4.04	10 4.04			
Rear Shock Absorbers Piston Diameter (mm)	32			32			32				32				32			
FRONT AXLE Type Make Maximum Capacity (lbs.)	I-Beam — 5000	— — 4300	I-Beam — 5000	I-Beam — 5000	— — 4300	I-Beam — 5000	I-Beam — 5000	— — 4300	I-Beam — 5000	I-Beam — 5000	I-Beam — 5000	— — 4300	I-Beam — 5000	I-Beam — 5000	I-Beam — 5500			
REAR AXLE Type Make Maximum Capacity (lbs.) Pinion/Ring Gear Type	Full-Floating GM 7900 Hypoid			Full-Floating GM 7900 Hypoid			Full-Floating GM 7900 Hypoid				Full-Floating Dana 10,000 Hypoid	Full-Floating GM 7900 Hypoid				Full-Floating Dana 10,000 Hypoid	Full-Floating Dana 10,500 Hypoid	
STANDARD TIRES Front/Rear Capacity (lbs.) each Inflation (PSI) maximum Revolutions per mile @ 45 MPH	7.50-16/LT-D ²			7.50-16/LT-D ²			7.50-16/LT-D ²				Tbbs. SBR 8-19.5D 2780 65	7.50-16/LT-D ²				Tbbs. SBR 8-19.5D 2780 65	Tubeless SBR 8R-19.5D 2780 65	
WHEELS Size (in.) Capacity (lbs.) each Bolt Holes Bolt Circle Diameter (in.) Offset (mm)	16.0 x 6.0 2440 8 6.5 127			16.0 x 6.0 2440 8 6.5 127			16.0 x 6.0 2440 8 6.5 127				19.5 x 6.0 2540 10 6.5 127	19.5 x 6.0 2540 10 6.5 127				19.5 x 6.0 2540 10 6.5 127		

¹ Based on Curb Weight. ² LT215/85R16D standard on models at 11,800 GVWR. See Wheels and Tires for specifications.

WHEELS AND TIRES

KEY: — Not Available BW - Blackwall HWY - Highway
 AS - All-Season WW - Whitewall ON-OFF - On-Off Road
 SBT - Steel-Belted Radial Ply WL - White Lettered WOL - White Outline Lettered

WHEELS AND TIRES

TIRE SIZE	TYPE	RPO	PLY	LOAD RANGE	TIRE CAPACITY (LBS.) EA.	INFLATION (PSI) MAX.	WHEEL SIZE (IN.)	WHEEL CAPACITY (LBS.) EA.	BOLT HOLES	BOLT CIRCLE DIA. (IN.)	OFFSET (MM)	REV. PER MILE @ 45 MPH
LT215/85R16C	SBR/BW Rear: Spare:	YYJ	6	C	1940	50	16.0 x 6.50L	2780	8	6.5	22	682
LT215/85R16D	SBR/BW Front: Rear: Spare:	XYK YYK ZYK	8	D	2335	65	16.0 x 6.50L	2780	8	6.5	22	682
LT225/70R19.5F	Front: Rear: Spare:	XTN YTN ZTN	10	F	3640	75	19.5 x 6.0	2540	10	7.25	127	646
7.50-16D	HWY Polyester Front: Rear: Spare:	XEA YEA ZEA	8	D	2440	65	16.0 x 6.0	2440	8	6.5	127	653
8-19.5D	HWY Nylon BW Front: Rear: Spare:	XSN YSN ZSN	8	D	2800	75 ¹	19.5 x 6.0	2540	8	6.5	127	613
8R-19.5D	HWY SBR/BW Front: Rear: Spare:	XNP YNP ZNP	8	D	2780	65	19.5 x 6.0	2540	8	6.5	127	613

¹ 70 PSI on 16,000 lb. GVWR Motor Home Chassis.

MOTOR HOME CHASSIS

MODEL	P30 MOTOR HOME CHASSIS (137-IN. WB)		P30 MOTOR HOME CHASSIS (158.5-IN. WB)		P30 MOTOR HOME CHASSIS (178-IN. WB)	P30 MOTOR HOME CHASSIS (190-IN. WB)	P30 MOTOR HOME CHASSIS (208-IN. WB)
MODEL NUMBER	CP31132/ZW9		CP31432/ZW9		CP31832/ZW9	CP31932/ZW9	CP32032/ZW9
	GAS	B3J	GAS	B3J	GAS	GAS	GAS
FRAMES							
Side Rail Dimensions Width (in.)	2.57		2.57		2.57	2.57	2.57
Depth (in.)	7.01		7.01		7.01	7.01	7.01
Thickness (in.)	.194		.224		.224	.224	.244
Section Modulus Rails Only	5.26		6.12		6.12	6.12	6.12
RBM of Frame	205,140		238,680		238,680	238,680	238,680
Width Over Rails Front (in.)	28.14		28.14		28.14	28.14	28.14
Rear (in.)	33.64		33.64		33.64	33.64	33.64
Overall Length of Rail (in.)	234.90		256.40		275.90	287.90	305.90
STEERING							
Type ¹	Var. Ratio Integral Power		Var. Ratio Integral Power		Var. Ratio Integral Power	Var. Ratio Integral Power	Var. Ratio Integral Power
Steering Ratio	16:1		16:1		16:1	16:1	16:1
Turning Diameter: STD/ w/l-Beam Front Axle							
Curb-to-Curb (ft.)	49.1/50.4		55.8/57.7		61.8/64.6	64.3	69.9
Wall-to-Wall (ft.)	51.3/51.9		58.0/58.4		64.1/64.1	66.9	72.5
BRAKES							
GVWR (lbs.)	10,500-11,800	12,300	10,500-11,800	12,300-14,500 ³	14,500-16,000	14,500-16,000	14,500-16,000
Type	Hyd. Power ² Front Disc/Rear Drum		Hyd. Power ² Front Disc/Rear Drum		Hyd. Power 4-Wheel Disc	Hyd. Power 4-Wheel Disc	Hyd. Power 4-Wheel Disc
Front Rotor Size (Diameter x Thickness) (in.)	12.50 x 1.54	14.25 x 1.54	12.50 x 1.54	14.25 x 1.54	14.25 x 1.54	14.25 x 1.54	14.25 x 1.54
Front Facing Contact Per Axle (sq. in.)	45.79		45.79		45.79	45.79	45.79
Rear Drum Size (Diameter x Width) (in.)	13.0 x 3.5	13.75 x 1.54 ²	13.0 x 3.5	13.75 x 1.54 ²	13.75 x 1.54	13.75 x 1.54	13.75 x 1.54
Rear Facing Contact Per Axle (sq. in.)	166.04	45.78	166.04	45.78	45.78	45.78	45.78
Parking Brake Type	Cable to Rear Wheels		Cable to Rear Wheels		Internal Expanding	Internal Expanding	Internal Expanding

¹ Comfortilt Deluxe Steering Wheel Standard on all Motor Home Chassis.

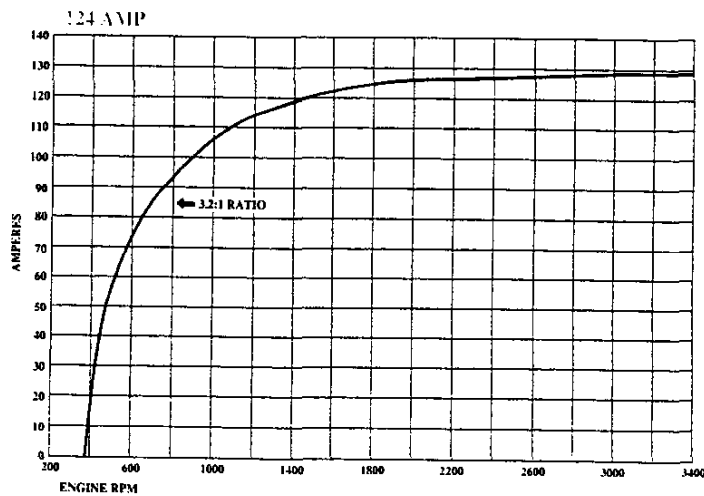
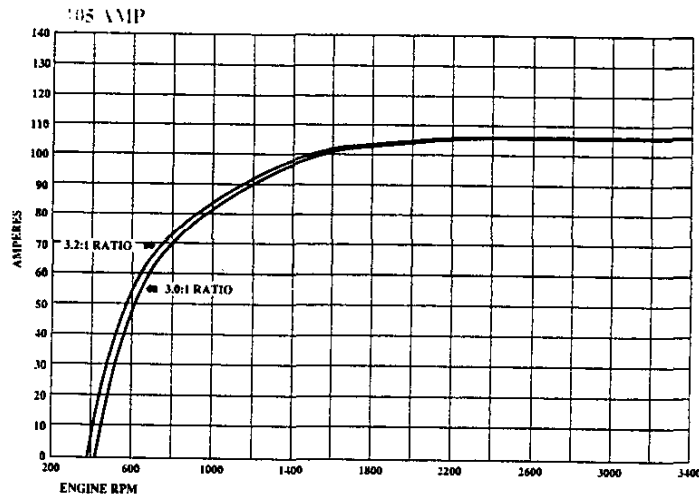
² Hydraulic-powered automatic.

³ 14,500 GVWR Provides Hydraulic Power 4-Wheel Disc Brakes.

MODEL	P30 MOTOR HOME CHASSIS (137-IN. WB)		P30 MOTOR HOME CHASSIS (158.5-IN. WB)		P30 MOTOR HOME CHASSIS (178-IN. WB)	P30 MOTOR HOME CHASSIS (190-IN. WB)	P30 MOTOR HOME CHASSIS (208-IN. WB)
MODEL NUMBER	CP31132/ZW9		CP31432/ZW9		CP31832/ZW9	CP31932/ZW9	CP32032/ZW9
	GAS	B3J	GAS	B3J	GAS	GAS	GAS
ELECTRICAL							
ENGINE STD./OPT.	7.4L	6.2L	7.4L	6.2L	7.4L	7.4L	7.4L
STANDARD BATTERY Cold Cranking Amps @ 0° F @ -20° F Reserve Capacity Min. @ 80° F	630 470 115	Two at 540 Each 405 Each 115 Each	630 470 115	Two at 540 Each 405 Each 115 Each	630 470 115	630 470 115	630 470 115
STANDARD ALTERNATOR ¹ Max. Capacity (Amps) Max Watts @ 12 Volts Nominal Amp @ Idle approximately Drive Pulley Ratio Model Number	105 1260 42 3.2:1 CS130	105 1260 42 3.0:1 CS130	105 1260 42 3.2:1 CS130	105 1260 42 3.0:1 CS130	105 1260 42 3.2:1 CS130	105 1260 42 3.2:1 CS130	105 1260 42 3.2:1 CS130

¹NOTE: A 124 amp Alternator is optional only as part of RPO KW2 on all models with 7.4L engine.

ALTERNATOR CURVES



MOTOR HOME CHASSIS

COOLING

MODEL	P30 MOTOR HOME CHASSIS (137-IN. WB)		P30 MOTOR HOME CHASSIS (158.5-IN. WB)		P30 MOTOR HOME CHASSIS (178-IN. WB)	P30 MOTOR HOME CHASSIS (190-IN. WB)	P30 MOTOR HOME CHASSIS (208-IN. WB)
MODEL NUMBER	CP31132/ZW9		CP31432/ZW9		CP31832/ZW9	CP31932/ZW9	CP32032/ZW9
	GAS	B3J	GAS	B3J	GAS	GAS	GAS

STANDARD COOLING SYSTEM

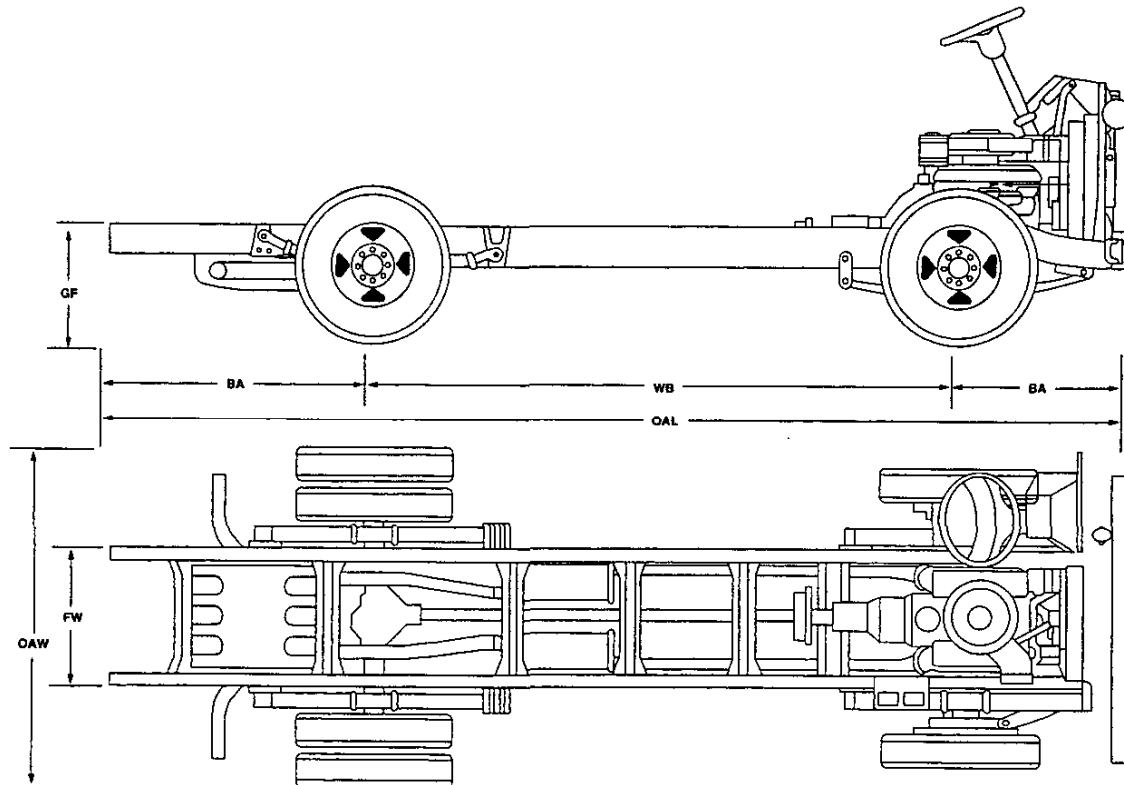
ENGINE	7.4L	6.2L	7.4L	6.2L	7.4L	7.4L	7.4L
Radiator Thickness (in.)	2.17	2.17	2.17	2.17	2.17	2.17	2.17
System Capacity (gal.)	5.7	7.0	5.7	7.0	5.7	5.7	5.7
Fan-No. Blades x Diameter x Pitch (in.)	7 x 19.5 x 2.63	5 x 19.5 x 2.88	7 x 19.5 x 2.63	5 x 19.5 x 2.88	7 x 19.5 x 2.63	7 x 19.5 x 2.63	7 x 19.5 x 2.63

DIMENSIONS

1991
MOTOR HOME CHASSIS

MODEL	P30 MOTOR HOME CHASSIS (137-IN. WB)		P30 MOTOR HOME CHASSIS (158.5-IN. WB)		P30 MOTOR HOME CHASSIS (178-IN. WB)	P30 MOTOR HOME CHASSIS (190-IN. WB)	P30 MOTOR HOME CHASSIS (208-IN. WB)
MODEL NUMBER	CP31132/ZW9		CP31432/ZW9		CP31832/ZW9	CP31932/ZW9	CP32032/ZW9
	GAS	B3J	GAS	B3J	GAS	GAS	GAS
EXTERIOR							
Wheelbase (in.)	WB	137.0	158.5	178.0	190.0	208.0	
Overall Length (in.)	OAL	234.3	259.4	317.3	329.3	347.3	
Bumper to Axle (in.)	BA	Front	33.5	33.5	33.5	33.5	33.5
		Rear	63.8	67.4	105.8	105.8	105.8
Ground to Top of Frame (in.)	GF	27.9	27.9	30.6	30.6	30.6	
FUEL TANK							
Std./Opt. Tank Nominal (gal.)	40/60/80	41/60/80	40/60/80	41/60/80	40/60/80	40/60/80	40/60/80
Location of Tank	Between Frame Rails Behind Rear Axle		Between Frame Rails Behind Rear Axle		Between Frame Rails Behind Rear Axle	Between Frame Rails Behind Rear Axle	Between Frame Rails Behind Rear Axle
Location of Filler	Left Rear ¹		Left Rear ¹		Left Rear ¹	Left Rear ¹	Left Rear ¹

¹ RH fill also available on 80-gallon tank.



MOTOR HOME CHASSIS

KEY: S - Standard
 O - Optional
 — Not Available

- 1. P30 MOTOR HOME CHASSIS 137-IN. WB (CP31132)
- 2. P30 MOTOR HOME CHASSIS 158.5-IN. WB (CP31432)
- 3. P30 MOTOR HOME CHASSIS 178-IN. WB (CP31832)
- 4. P30 MOTOR HOME CHASSIS 190-IN. WB (CP31932)
- 5. P30 MOTOR HOME CHASSIS 208-IN. WB (CP32032)

NOTE: Refer to Dealer Order Guide for updated option availability.

				MODELS				
				2-WHEEL DRIVE				
OPTION	CODE	DESCRIPTION	RESTRICTIONS	1	2	3	4	5
AIR CONDITIONING PROVISION DELETE	EN2		Reqs L19 Eng	O	O	O	O	O
ALTERNATOR	KW2	124 Amp	Reqs L19 Eng	O	O	O	O	O
AXLE, REAR Locking Differential	G80		N/A CP31132 Reqs 8-19.5 Tires	O	O	O	O	O
CHASSIS	F44	Heavy-Duty	Reqs YNP or YTN Tires	—	—	O	O	O
ENGINES		(See Powertrains)		S	S	S	S	S
7.4-liter V8 Gas	L19			O	O	—	—	—
6.2-liter V8 Diesel	LL4			O	O	O	O	O
HEADLAMPS, DUAL RECTANGULAR	HPR			O	O	O	O	O
HEATER	K05	Engine Block	N/A B3J Diesel Equipment	O	O	O	O	O
SPEED CONTROL Electronic	K34	Includes Intermittent Windshield Wipers	Requires L19 Engine	O	O	O	O	O
SPRING	G50	Rear, Heavy-Duty; Capacity 3750-lb each	11,800 or 12,300 GVWR Only	O	O	—	—	—
SUSPENSION	F66	Positrim Front; Heavy-Duty	Reqs 11,000- or 12,300 lb. GVWR	O	O	—	—	—
TANK, FUEL	NN4 NJ9	Approx 60-Gal Capacity Approx 80-Gal Capacity		—	O	O	O	O
TIRES		(See Wheels and Tires for Details)		—	—	O	O	O
LT215/85R16C	YYJ			O	O	—	—	—
LT215/85R16D	XYK YYK ZYK			S	S	—	—	—
LT225/70R19.5F	XTN YTN ZTN			—	O	O	O	O
7.50-16IT/D	XEA YEA ZEA			O	O	—	—	—
8-19.5E	XSN YSN ZSN			—	O	O	O	O
8R-19.5D	XNP YNP ZNP			O	O	S	S	S
TRANSMISSIONS	MX0	4-Speed Automatic w/Overdrive		S	S	S	S	S
WHEEL, SPARE	Q34	19.5" x 6.0" Incl w/Spare Tire	Reqs YNP, YSN or YTN 8-19.5 Tires	—	O	O	O	O
WHEEL COLOR	41P	Black		O	O	O	O	O