



# P30 F.C. CHASSIS AND MOTOR HOME CHASSIS INTRODUCTION

## P30 F.C. CHASSIS AND MOTOR HOME CHASSIS

The P30 F.C. Chassis and Motor Home Chassis is basically carryover for 1995 with the exception of an additional model.

Changes on the P30 F.C. Chassis and Motor Home Chassis for 1995 include:

- 4.3L V6 Engine enhancements
  - 5.7L V8 Engine enhancements
  - 7.4L V8 Engine enhancements
  - 4L80-E Automatic Transmission enhancements
  - Manual Transmission enhancements.
  - Improved braking performance
  - New CP30542/ZW9 110 Inch Wheelbase "Lo-Pro" Model
  - New 16500 lb GVW available with P31832, P31932 and P32032 models
-

# P30 F.C. CHASSIS AND MOTOR HOME CHASSIS

## MODEL SELECTION SUMMARY

Use the chart below to choose the model that fits your customer's needs. Note that the Maximum Payload is based on curb weight. See your 1995 Chevrolet Truck Order Guide for details.

SERIES	MODEL NUMBER/ BODY CODE/ OPTION CODE	PASSENGER CAPACITY (STD./OPT.)	STANDARD ENGINE/ TRANS.	OPTIONAL ENGINE/ TRANS.	GVWR (LB)	GAWR (LB) FRONT/ REAR	MAXIMUM PAYLOAD (LB) BASED ON CURB WT.	MAX. GROSS TRAILER WT./ TONGUE LOAD LOAD (LB) PROPERLY EQUIPPED
<b>P30 FORWARD CONTROL CHASSIS</b>								
<b>110-INCH WHEELBASE SINGLE REAR WHEELS "LO-PRO"</b>	CP30542/ZW9/ YHF tires	—	4.3L V6/A4	—	8600	3650/5300	5182	—
<b>125-INCH WHEELBASE SINGLE REAR WHEELS</b>	CP30842/ZW9/ YYN tires	—	4.3L V6/M5	4.3L V6/A4 5.7L V8/M5/A4 6.5L V8/M5/A4	9000	4000/6084	5117	—
<b>125-INCH WHEELBASE DUAL REAR WHEELS</b>	CP30842/ZW9/ R05	—	4.3L V6/M5	4.3L V6/A4 5.7L V8/M5/A4 6.5L V8/M5/A4	9000	3880/6200	5118	—
	CP30842/ZW9/ R05/G60 or G51	—	4.3L V6/M5	4.3L V6/A4 5.7L V8/M5/A4 6.5L V8/M5/A4	10000	3880/7060	6223	—
	CP30842/ZW9/ R05/G60 or G51	—	4.3L V6/M5	4.3L V6/A4 5.7L V8/M5/A4 6.5L V8/M5/A4	11000	4000/7900	7223	—
	CP30842/ZW9/ HC7/R05 and YTV tires	—	5.7L V8/M5	5.7L V8/A4 7.4L V8/A4 6.5L V8/M5/A4	12000	4500/9840	8035	—
	CP30842/ZW9/ HC7/R05 and YTV tires	—	5.7L V8/M5	5.7L V8/A4 7.4L V8/A4 6.5L V8/M5/A4	14100	4500/11000	10118	—
<b>125-INCH SCHOOL BUS CHASSIS</b>	CP30842/ZW9/ FS3/B3D/HC7 R05 and YTV tires	—	5.7L V8/M5	5.7L V8/A4 6.5L V8/M5/A4	14500	5000/11000	10428	—
<b>133-INCH WHEELBASE SINGLE REAR WHEELS</b>	CP31042/ZW9/ YYN tires	—	4.3L V6/M5	4.3L V6/A4 5.7L V8/M5/A4 6.5L V8/M5/A4	9000	4000/6084	5136	—
<b>133-INCH WHEELBASE DUAL REAR WHEELS</b>	CP31042/ZW9/ R05	—	4.3L V6/M5	4.3L V6/A4 5.7L V8/M5/A4 6.5L V8/M5/A4	9000	3880/6200	5108	—
	CP31042/ZW9/ R05/G60 or G51	—	4.3L V6/M5	4.3L V6/A4 5.7L V8/M5/A4 6.5L V8/M5/A4	10000	3880/7060	6212	—
	CP31042/ZW9/ R05/G60 or G51	—	4.3L V6/M5	4.3L V6/A4 5.7L V8/M5/A4 6.5L V8/M5/A4	11000	4000/7900	7212	—
	CP31042/ZW9/ HC7/R05 and YTV tires	—	5.7L V8/M5	5.7L V8/A4 7.4L V8/A4 6.5L V8/M5/A4	12000	4500/9840	8025	—
	CP31042/ZW9/ HC7/R05 and YTV tires	—	5.7L V8/M5	5.7L V8/A4 7.4L V8/A4 6.5L V8/M5/A4	14100	4500/11000	10108	—

See the following page for additional P30 Forward Control Chassis Models.

## P30 F.C. CHASSIS AND MOTOR HOME CHASSIS

SERIES	MODEL NUMBER/ BODY CODE/ OPTION CODE	PASSENGER CAPACITY (STD./OPT.)	STANDARD ENGINE/ TRANS.	OPTIONAL ENGINE/ TRANS.	GVWR (LB)	GAWR (LB) FRONT/ REAR	MAXIMUM PAYLOAD (LB) BASED ON CURB WT.	MAX. GROSS TRAILER WT./ TONGUE LOAD LOAD (LB) PROPERLY EQUIPPED
<b>P30 FORWARD CONTROL CHASSIS (CONT.)</b>								
<b>133-INCH SCHOOL BUS CHASSIS</b>	CP31042/ZW9/ FS3/B3D/HC7 R05 and YTV tires	—	5.7L V8/M5	5.7L V8/A4 6.5L V8/M5/A4	14500	5000/11000	10371	—
<b>157-INCH WHEELBASE SINGLE REAR WHEELS</b>	CP31442/ZW9/ YYN tires	—	4.3L V6/M5	4.3L V6/A4 5.7L V8/M5/A4 6.5L V8/M5/A4	9000	4000/6084	5286	—
<b>157-INCH WHEELBASE DUAL REAR WHEELS</b>	CP31442/ZW9/ R05	—	4.3L V6/M5	4.3L V6/A4 5.7L V8/M5/A4 6.5L V8/M5/A4	9000	3880/6200	4958	—
	CP31442/ZW9/ R05/G60 or G51	—	4.3L V6/M5	4.3L V6/A4 5.7L V8/M5/A4 6.5L V8/M5/A4	10000	3880/7060	6062	—
	CP31442/ZW9/ R05/G60 or G51	—	4.3L V6/M5	4.3L V6/A4 5.7L V8/M5/A4 6.5L V8/M5/A4	11000	4000/7900	7062	—
	CP31442/ZW9/ HC7/R05 and YTV tires	—	5.7L V8/M5	5.7L V8/A4 7.4L V8/A4 6.5L V8/M5/A4	12000	4500/9840	7875	—
	CP31442/ZW9/ HC7/R05 and YTV tires	—	5.7L V8/M5	5.7L V8/A4 7.4L V8/A4 6.5L V8/M5/A4	14100	4500/11000	9957	—
<b>157-INCH SCHOOL BUS CHASSIS</b>	CP31442/ZW9 FS3/B3D/HC7 R05 and YTV tires	—	5.7L V8/M5	5.7L V8/A4 6.5L V8/M5/A4	14500	5000/11000	10217	—
<b>178-INCH WHEELBASE DUAL REAR WHEELS</b>	CP31842/ZW9/ G51 or G60	—	4.3L V6/M5	4.3L V6/A4 5.7L V8/M5/A4 6.5L V8/M5/A4	10000	3880/7060	5945	—
	CP31842/ZW9/ G51 or G60	—	4.3L V6/M5	4.3L V6/A4 5.7L V8/M5/A4 6.5L V8/M5/A4	11000	4000/7900	6945	—
	CP31842/ZW9/ HC7 and YTV tires	—	5.7L V8/M5	5.7L V8/A4 7.4L V8/A4 6.5L V8/M5/A4	12000	4500/9840	7389	—
	CP31842/ZW9/ HC7 and YTV tires	—	5.7L V8/M5	5.7L V8/A4 7.4L V8/A4 6.5L V8/M5/A4	14100	4500/11000	9472	—

See the following page for P30 Motor Home Chassis Models

# P30 F.C. CHASSIS AND MOTOR HOME CHASSIS

SERIES	MODEL NUMBER/ BODY CODE/ OPTION CODE	PASSENGER CAPACITY (STD./OPT.)	STANDARD ENGINE/ TRANS.	OPTIONAL ENGINE/ TRANS.	GVWR (LB)	GAWR (LB) FRONT/ REAR	MAXIMUM PAYLOAD (LB) BASED ON CURB WT.	MAX. GROSS TRAILER WT./ TONGUE LOAD (LB) PROPERLY EQUIPPED
<b>P30 MOTOR HOME CHASSIS</b>								
<b>137.0-INCH WHEELBASE</b>	CP31132/ZW9 YWG tires	—	7.4L V8/A4	6.5L V8/A4 Turbo Diesel	11800	4300/7500	7608	—
	CP31132/ZW9 YWG or YNP tires	—	7.4L V8/A4	6.5L V8/A4 Turbo Diesel	12300	4880/7500	8089	—
<b>158.5-INCH WHEELBASE</b>	CP31432/ZW9 YWG tires	—	7.4L V8/A4	6.5L V8/A4 Turbo Diesel	11800	4300/7500	7449	—
	CP31432/ZW9/ YWG or YNP tires	—	7.4L V8/A4	6.5L V8/A4 Turbo Diesel	12300	4880/7500	7930	—
	CP31432/ZW9 and YNP or YTN tires	—	7.4L V8/A4	6.5L V8/A4 Turbo Diesel	14800	5300/10000	10121	—
<b>178.0-INCH WHEELBASE</b>	CP31832/ZW9 and YNP or YTN tires	—	7.4L V8/A4	6.5L V8/A4 Turbo Diesel	14800	5300/10000	10024	—
	CP31832/ZW9 and YNP or YTN tires	—	7.4L V8/A4	6.5L V8/A4 Turbo Diesel	16000	5500/10500	11085	—
	CP31832/ZW9 YTN tires	—	7.4L V8/A4	6.5L V8/A4 Turbo Diesel	16500	5500/11000	11565	—
<b>190.0-INCH WHEELBASE</b>	CP31932/ZW9 and YNP or YTN tires	—	7.4L V8/A4	6.5L V8/A4 Turbo Diesel	14800	5300/10000	9939	—
	CP31932/ZW9 and YNP or YTN tires	—	7.4L V8/A4	6.5L V8/A4 Turbo Diesel	16000	5500/10500	10998	—
	CP31932/ZW9 YTN tires	—	7.4L V8/A4	6.5L V8/A4 Turbo Diesel	16500	5500/11000	11478	—
<b>208.0-INCH WHEELBASE</b>	CP32032/ZW9/ and YNP or YTN tires	—	7.4L V8/A4	6.5L V8/A4 Turbo Diesel	14800	5300/10000	9915	—
	CP32032/ZW9 and YNP or YTN tires	—	7.4L V8/A4	6.5L V8/A4 Turbo Diesel	16000	5500/10500	10975	—
	CP32032/ZW9 YTN tires	—	7.4L V8/A4	6.5L V8/A4 Turbo Diesel	16500	5500/11000	11455	—

Note: Motor Home Chassis Models are for recreational vehicle use only and are not to be used for mounting any type of commercial body.

# P30 F.C. CHASSIS AND MOTOR HOME CHASSIS

## POWERTRAINS

Chevrolet offers a variety of engines, transmissions and rear axle ratios for the P30 Chassis. The following charts detail basic engine, transmission and axle specifications. See your 1995 Chevrolet Truck Order Guide for details.

ENGINES					
	4.3L V6	5.7L V8	7.4L V8	6.5L V8 DIESEL	6.5L V8 TURBO DIESEL
Order Code	LB4	L05	L19	L57	L65
Availability	N/A on Motor Home	N/A on Motor Home	All	N/A on Motor Home	Motor Home
SAE Net Horsepower @ rpm	155 @ 4000	@ 4000	230 @ 3600	-	@ 3400
SAE Net Torque @ ft @ rpm	230 @ 2400	@ 2400	385 @ 1600	-	35 @ 1700
Fuel System	EFI	EFI	EFI	Indirect Fuel Injection	Turbo Indirect Fuel Injection
Clutch Size (in.)	11	12	—	12	12
Standard Battery Cold Cranking Amps at 0°F	600	600	600	2 @ 600 each	2 @ 600 each
Standard Alternator Max. Capacity (Amps)	105	105	105	105	105

TRANSMISSIONS								
	MANUAL 5-SPEED W/OD NP4500			AUTOMATIC 4-SPEED W/OD 4L80-E				
Order Code	MW3			MT1				
Availability	N/A on Motor Home			All				
Engine Application (Order Code)	4.3L V6 (LB4)	5.7L V8 (L05)	6.5L V8 Diesel (L57)	4.3L V6 (LB4)	5.7L V8 (L05)	7.4L V8 (L19)	6.5L V8 Diesel (L57)	6.5L V8 Turbo Diesel (L65)
Gear Ratios								
First	5.61			2.48				
Second	3.04			1.48				
Third	1.67			1.00				
Fourth	1.00			0.75				
Fifth	0.75			—				
Reverse	5.61			2.08				

REAR AXLES (F.C. CHASSIS)				
Make	GM			Dana
Capacity (lb)	7900 Full-Floating			11,000 Full-Floating
Pinion and Ring Gear Type	Hypoid			Hypoid
Axle Ratio Code	GT5	HC4	HC7	HC7
Ratio	4.10	4.56	5.13	5.13
Pinion Teeth	10	9	8	8
Ring Gear Teeth	41	41	41	41
Ring Gear Diameter (in.)	10.5	10.5	10.5	11.3

REAR AXLES (P30 MOTOR HOME CHASSIS)			
Make	GM	GM <sup>1</sup>	Dana <sup>2,3</sup>
Capacity (lb)	7900 Full-Floating	10,000 Full-Floating	10,500/11,000 Full-Floating
Pinion and Ring Gear Type	Hypoid	Hypoid	Hypoid
Engine Availability	7.4L V8/6.5L V8 (L19)/(L65)	7.4L V8/6.5L V8 (L19)/(L65)	7.4L V8/6.5L V8 (L19)/(L65)
Axle Ratio Code	GT5	HC4	GK9
Ratio	4.10	4.56	4.63
Pinion Teeth	10	9	8
Ring Gear Teeth	41	41	37
Ring Gear Dia. (in.)	10.5	10.5	11.3

<sup>1</sup> - 800 lb GVWR only. <sup>2</sup> - 16,000 lb and 18,500 lb GVWR models only. <sup>3</sup> - Dana models have tubular section only.

# P30 F.C. CHASSIS AND MOTOR HOME CHASSIS

## TRIM LEVELS

The following chart details major standard features for P30 F.C. Chassis and Motor Home. See your 1995 Chevrolet Truck Order Guide for more details.

STANDARD EQUIPMENT		F.C. CHASSIS	MOTOR HOME
<b>KEY: ■ = STANDARD, — = NOT INCLUDED</b>			
<b>BRAKES</b>	Rear wheel drive, front disc, rear drum on F.C. Chassis models at 8500 lb GVW and 10,000 lb GVW. Front disc, rear drum on Motor Home Chassis models at 11,000 lb and 12,000 lb GVW. Rear wheel drive, four-wheel disc on F.C. Chassis models at 12,000 lb GVW and 14,000 lb GVW. A also on Motor Home Chassis models at 14,000 lb and 16,000 lb GVW.	■  ■	■  ■
<b>BUMPER</b>	Front painted white. Front painted argent.	■ —	— ■
<b>EXHAUST</b>	Dual.	■	■
<b>FRAME</b>	Riveted ladder-type with channel design.	■	■
<b>FUEL TANK</b>	40 gallon (approx.) capacity.	■	■
<b>GAGES</b>	Engine temperature, fuel level, odometer, oil pressure, quartz speedometer, trip odometer, voltmeter and additional telltale lights.	■	—
<b>HORN</b>	Single electric low-note. Dual Note.	■ —	— ■
<b>HUB CAPS</b>	Bright metal with black trim.	■	—
<b>REAR AXLE</b>	Hypoid, full-floating. Ratios vary with model.	■	■
<b>SHOCK ABSORBERS</b>	Front and Rear: 32 mm piston diameter.	■	■
<b>SPEED CONTROL</b>	Electronic.	—	■
<b>STABILIZER BAR</b>	Front: 1.25 inch diameter, heavy duty.	■	■
<b>STEERING</b>	Integral power.	■	■
<b>STEERING WHEEL</b>	2-spoke including Tilt-Wheel™ and anti-theft feature.	■	■
<b>SUSPENSION</b>	Front: Independent with coil springs. Rear: 2-stage Multi-Leaf on all models with ZW9 (except CP31842, CP30842 and CP31042). Rear: Combination semi-elliptic two-stage main-Auxiliary— CP31442. Independent coil with auxiliary air spring.	■ ■ ■ —	■ ■ — ■
<b>TIRES</b>	Four 17.5 7.5R16E BL on CP30542 models. Four 17.5 8.5R16E BL on single rear wheel models (except CP30542). Six 17.5 8.5R16D BL on dual rear wheel models. Six 7.5R16D BW on CP31132 and CP31432 models. Six 8.5R16D BL on CP31832, CP31932 and CP32032 models.	■ ■ ■ — —	— — — ■ ■
<b>WHEELS</b>	Four white painted 16" x 6.0" on single rear wheel models. Six argent painted 16" x 6.0" on dual rear wheel models (N/A with CP31832, CP31932, and CP32032). Six argent painted 19.5" x 6.0" on dual rear wheel models (N/A with CP31132 and CP31432).	■ —	■ ■

# P30 F.C. CHASSIS AND MOTOR HOME CHASSIS

## FORWARD CONTROL CHASSIS OPTIONS

These options can be ordered individually. See your 1995 Chevrolet Truck Order Guide and Vehicle Price Schedule for specific information and prices. The Option Code is listed in **bold type**.

Air Conditioning Provision .....	<b>ENV</b>
Alternator, 124 amp (requires L19 engine) .....	<b>KW2</b>
Axle, Rear: (Must specify one of the following.)	
4.10 Ratio .....	<b>GT5</b>
4.56 Ratio .....	<b>HC4</b>
5.13 Ratio .....	<b>HC7</b>
Axle, Front I-Beam (See Order Guide for restrictions) .....	<b>FS3</b>
Battery, Heavy-Duty (N/A L57) .....	<b>UA1</b>
Bumper, front	
Black (included w/B3M School Bus special equipment) .....	<b>VH6</b>
Extra wide, white .....	<b>VKL</b>
Cooling system, engine oil (N/A L57 engine) .....	<b>KC4</b>
Cooling system, transmission oil .....	<b>V14</b>
Engines:	
4.3L EFI V6 .....	<b>LB4</b>
5.7L EFI V8 .....	<b>L05</b>

7.4L EFI V8 .....	<b>L19</b>
6.5L Diesel Naturally Aspirated EFI V8 .....	<b>L57</b>
Emissions:	
Federal .....	<b>FE9</b>
High Altitude .....	<b>NA6</b>
Massachusetts .....	<b>NG1</b>
California .....	<b>YF5</b>
Federal Emissions Override .....	<b>NC7</b>
Cal./Mass. Emissions Override .....	<b>NB8</b>
Fender, deletion .....	<b>FNT</b>
GVWR Ratings:	
8500 lb .....	<b>C6P</b>
9000 lb .....	<b>C6U</b>
10,000 lb .....	<b>C7A</b>
11,000 lb .....	<b>C7E</b>
12,000 lb .....	<b>C7L</b>
14,100 lb .....	<b>C7M</b>
14,500 lb (School Bus Only) .....	<b>C7S</b>
Heater, Engine Block (N/A L57 Diesel Equipment) .....	<b>K05</b>
School Bus Chassis equipment (N/A CP31842) (14,500 GVWR only) ..	<b>B3D</b>

School Bus special equipment (requires B3D School Bus Chassis) (includes black bumpers and black wheel color) .....	<b>B3M</b>
Springs, heavy duty rear .....	<b>G51</b>
Springs, rear main and auxilliary. Capacity 4000-lb each (N/A w/FS3 front axle) .....	<b>G60</b>
Transmissions:	
5-speed manual OD .....	<b>MW3</b>
4-speed automatic OD .....	<b>MT1</b>
Wheel color, white .....	<b>40P</b>
Wheel color, black (included w/B3M School Bus special equipment) .....	<b>41P</b>
Wheel color, gray (Reqs. R05) (Included with CP31842) .....	<b>84P</b>
Dual Rear (std on CP31842) .....	<b>R05</b>
Single Rear (N/A CP31842) .....	<b>R04</b>
Wheel, spare 19.5" x 6.0" (included w/spare tire) .....	<b>Q34</b>
Wheel, Spare 16.0" x 6.0" (includes spare tire) .....	<b>QD3</b>

### FORWARD CONTROL CHASSIS TIRES

**KEY: ALS = ALL-SEASON SBR = STEEL-BELTED RADIAL PLY BW = BLACKWALL HWY = HIGHWAY BL = BLACK LETTERED OOR = ON-OFF ROAD**

TIRE DESCRIPTION		FRONT	REAR	SPARE
LT215/85R16D	HWY/SBR/BL	XYK	YYK	ZYK
LT215/85R16D	OOR/SBR/BL	—	YYL	ZYL
LT225/75R16E	ALS/SBR/BL	XHF	YHF	ZHF
LT235/85R16E	HWY/SBR/BL	XYN	YYN	ZYN
8R-19.5D	HWY/BL	XNP	YNP	ZNP
8R-19.5E	HWY/SBR/BW	XTV	YTV	ZTV
7.50-16D	HWY/BW	XWG	YWG	ZWG

## MOTOR HOME CHASSIS OPTIONS

Air Conditioning Delete Provision (Requires L19 engine) .....	<b>EN2</b>
Axle, Rear: (Must specify one of the following.)	
4.10 Ratio .....	<b>GT5</b>
4.63 Ratio .....	<b>GK9</b>
4.56 Ratio .....	<b>HC4</b>
Cooling System, Transmission Oil .....	<b>V14</b>
Emissions:	
Federal .....	<b>FE9</b>
Massachusetts .....	<b>NG1</b>
California .....	<b>YF5</b>
Federal Emissions Override .....	<b>NC7</b>
Cal./Mass. Emissions Override .....	<b>NB8</b>

Engine:	
7.4L EFI V8 .....	<b>L19</b>
6.5L Turbo Diesel V8 .....	<b>L65</b>
GVWR Ratings:	
11,800 lb .....	<b>C7J</b>
12,300 lb .....	<b>C7N</b>
14,800 lb .....	<b>C3D</b>
16,000 lb .....	<b>C7P</b>
16,500 lb .....	<b>C7R</b>
Harness Assembly, Tail and Stop Lamps .....	<b>RHQ</b>
Headlamps, Dual Rectangular .....	<b>HPR</b>

Tank, Fuel:	
Approx. 60 gallon capacity (N/A P31132) .....	<b>NN4</b>
Approx. 80 gallon capacity LH or RH Fill (P31832-P31932-P32032 Only) ..	<b>NJ9</b>
Transmission:	
4-Speed Automatic w/Overdrive. Electronic Control. ....	<b>MT1</b>
Wheel, Spare 19.5" x 6.0" .....	<b>Q34</b>
Wheel, Spare 16" x 6.0" .....	<b>QD3</b>

### MOTOR HOME CHASSIS TIRES

**KEY: SBR = STEEL-BELTED RADIAL PLY BW = BLACKWALL HWY = HIGHWAY BL = BLACK LETTERED**

TIRE DESCRIPTION		FRONT	REAR	SPARE
LT225/70R19.5F	HWY/SBR/BW	XTN	YTN	ZTN
8.00R-19.5D	HWY/SBR/BL	XNP	YNP	ZNP
7.50R16/D	HWY/SBR/BW	XWG	YWG	ZWG



# P30 F.C. CHASSIS AND MOTOR HOME CHASSIS

## DIMENSIONS

MODEL	FORWARD CONTROL COMMERCIAL CHASSIS				
MODEL NUMBER	CP30542/ZW9	CP30842/ZW9	CP31042/ZW9	CP31442/ZW9	CP31842/ZW9
<b>EXTERIOR DIMENSIONS (FORWARD CONTROL CHASSIS)</b>					
<b>BODY</b>					
Wheelbase (in.)	110.0	125.0	133.0	157.0	178.0
Overall Length (in.) w/o Rear Bumper	213.25	214.8	238.8	262.8	318.4
Maximum Width (in.)	85.5	85.5	85.5	85.5	85.5
Bumper to Axle (in.) Front	37.25	36.0	36.0	36.0	36.0
Ground to Top of Rear Load Floor (in.)	24.7	27.9	29.1	29.1	29.1
Ground Clearance (in.) Front	14.8	9.9 7.2	9.7 7.2	9.7 7.2	9.7 7.2

MODEL	P30 MOTOR HOME CHASSIS (137 IN. WB)	P30 MOTOR HOME CHASSIS (158.5 IN. WB)	P30 MOTOR HOME CHASSIS (178 IN. WB)	P30 MOTOR HOME CHASSIS (190 IN. WB)	P30 MOTOR HOME CHASSIS (208 IN. WB)
MODEL NUMBER	CP31132/ZW9	CP31432/ZW9	CP31832/ZW9	CP31932/ZW9	CP32032/ZW9
<b>EXTERIOR DIMENSIONS (P30 MOTOR HOME CHASSIS)</b>					
<b>BODY</b>					
Wheelbase (in.)	137.0	158.5	178.0	190.0	208.0
Overall Length (in.)	234.3	259.4	317.3	329.3	347.3
Bumper to Axle (in.) Front	33.5	33.5	33.5	33.5	33.5
Rear Overhang	63.8	67.4	105.8	105.8	105.8
Overall Width (in.)	85.0	85.0	85.0	85.0	85.0
Frame Width (in.)	34	34	34	34	34
Ground to Top of Frame (in.)	27.9	27.9	30.6	30.6	30.6

**P30 CUTAWAY CHASSIS**

The P30 Cutaway Chassis is basically carryover for 1995.

Changes on the P30 Cutaway Chassis for 1995 include:

- 5.7L V8 Engine enhancements
  - 7.4L V8 Engine enhancements
  - 4L80-E Automatic Transmission enhancements
  - Improved braking performance
-

# P30 CUTAWAY CHASSIS

## MODEL SELECTION SUMMARY

Use the chart below to choose the model that fits your customer's needs. Note that the Maximum Payload is based on curb weight. See your 1995 Chevrolet Truck Order Guide for details.

SERIES	MODEL NUMBER/ BODY CODE/ OPTION CODE	PASSENGER CAPACITY (STD./OPT.)	STANDARD ENGINE/ TRANS.	OPTIONAL ENGINE/ TRANS.	GVWR (LB) RANGE	GAWR (LB) FRONT/ REAR RANGE	MAXIMUM PAYLOAD (LB) BASED ON CURB WT.	MAX. GROSS TRAILER WT./ TONGUE LOAD (LB) PROPERLY EQUIPPED
<b>P30 COMMERCIAL CUTAWAY CHASSIS</b>								
<b>125.0-INCH WHEELBASE</b>	CP30862	1/2	5.7L V8/A4	7.4L V8/A4 <sup>1</sup>	10100	3880/7060	5143	—
					11000	4000/7900	6039	
					12000	4500/9840	6840	
					14100	5000/11000	8594	
<b>133.0-INCH WHEELBASE</b>	CP31062	1/2	5.7L V8/A4	7.4L V8/A4 <sup>1</sup>	10100	3880/7060	5132	—
					11000	4400/7900	6028	
					12000	4500/9840	6829	
					14100	5000/11000	8583	
<b>157.0-INCH WHEELBASE</b>	CP31462	1/2	5.7L V8/A4	7.4L V8/A4 <sup>1</sup>	10100	3880/7060	4981	—
					11000	4400/7900	5877	
					12000	4500/9840	6678	
					14100	5000/11000	8432	
<b>178.0-INCH WHEELBASE</b>	CP31862	1/2	5.7L V8/A4	7.4L V8/A4 <sup>1</sup>	10100	3880/7060	4900	—
					11000	4400/7900	5797	
					12000	4500/9840	6597	
					14100	5000/11000	8432	
<b>P30 SCHOOL BUS CUTAWAY CHASSIS</b>								
<b>125.0-INCH WHEELBASE</b>	CP30862/ B3D	1/2	5.7L V8/A4	—	14500	5000/11000	3973	—
<b>133.0-INCH WHEELBASE</b>	CP31062/ B3D	1/2	5.7L V8/A4	—	14500	5000/11000	3913	—
<b>157.0-INCH WHEELBASE</b>	CP31462/ B3D	1/2	5.7L V8/A4	—	14500	5000/11000	3751	—
<b>P30 MOTOR HOME CUTAWAY CHASSIS</b>								
<b>158.5-INCH WHEELBASE</b>	CP31452	1/2	7.4L V8/A4	—	11800	4300/7500	6297	—
					12300	4880/7500	6601	
					14500	5000/9840	8664	
<b>178.0-INCH WHEELBASE</b>	CP31852	1/2	7.4L V8/A4	—	12300	4880/7500	6543	—
					14500	5000/10000	8539	
<b>190.0-INCH WHEELBASE</b>	CP31952	1/2	7.4L V8/A4	—	14500	5000/10000	8696	—
<b>208.0-INCH WHEELBASE</b>	CP32052	1/2	7.4L V8/A4	—	14500	5000/10000	8219	—

<sup>1</sup> 7.4L V8 engine with A4 transmission is not available with 10,100 lb or 11,000 lb GVWR.

# P30 CUTAWAY

## POWERTRAINS

Chevrolet offers a variety of engines, transmissions and rear axle ratios for the P30 Commercial Cutaway. The following charts detail basic engine, transmission and rear axle specifications. See your 1995 Chevrolet Truck Order Guide for details.

ENGINES		
	5.7L V8	7.4L V8
Order Code	L05	L19
SAE Net Horsepower @ rpm	@ 4000	230 @ 3600
SAE Net Torque lb ft @ rpm	@ 2400	385 @ 1600
Fuel System	EFI	EFI
Standard Battery Cold Cranking Amps at 0°F	600	600
Standard Alternator Max. Cap. (Amps)	105	105

TRANSMISSIONS		
ELECTRONICALLY CONTROLLED AUTOMATIC 4-SPEED WITH OVERDRIVE		
Order Code	MT1	
Availability	All Models	
Engine Application (Order Code)	5.7L V8 (L05)	7.4L V8 (L19)
Gear Ratios		
First	2.48	
Second	1.48	
Third	1.00	
Fourth	0.75	
Reverse		
Power Take-Off	No	

REAR AXLES			
Availability	All	Motor Home Cutaway Only	N/A on Motor Home Cutaway
Make	GM	GM	Dana
Capacity (lb)	7900 Full-Floating	10,000 Full-Floating	11,000 Full-Floating
Pinion and Ring Gear Type	Hypoid		Hypoid
Engine Availability (Order Code)	5.7L V8/7.4L V8 (L05/L19)		5.7L V8/7.4L V8 (L05/L19)
Axle Ratio Code	GT5	HC4	HC7
Ratio	4.10	4.56	5.13
Pinion Teeth	10	9	8
Ring Gear Teeth	41	41	41
Ring Gear Diameter (in.)	10.5	10.5	11.3

Note: Axle Ratio depends on model, powertrain and emissions selected. See your 1995 Chevrolet Truck Order Guide.

## TRIM LEVELS

Chevrolet offers P30 Cutaway in two models, "Commercial Cutaway" and "Motor Home Cutaway." The following chart details major standard features for each model. See your 1995 Chevrolet Truck Order Guide for more details.

CHASSIS EQUIPMENT		COMMERCIAL CUTAWAY	MOTOR HOME CUTAWAY
KEY: ■ = STANDARD, -- = NOT INCLUDED			
ALTERNATOR	105 Amps.	■	■
BATTERY	600 CCA.	■	■
BRAKES			

# P30 CUTAWAY CHASSIS

CHASSIS EQUIPMENT (CONT.)		COMMERCIAL CUTAWAY	MOTOR HOME CUTAWAY
KEY: ■ = STANDARD, — = NOT INCLUDED			
EXHAUST	Dual.	■	■
FRAME	All-welded frame construction.	■	■
FUEL TANK	40 gallon (approx.) capacity.	■	■
REAR AXLE	Hypoid, full-floating. Ratios vary with model.	■	■
SHOCK ABSORBERS	32 mm on models below 12,300 GVWR. 35 mm on all others.	■	■
STABILIZER BAR	Front 1.25 inch diameter, heavy duty.	■	■
STEERING	Integral power.	■	■
SUSPENSION, FRONT	Independent with coil springs. (I-Beam on School Bus chassis).	■	■
SUSPENSION, REAR	Semi-elliptic two-stage multi-leaf.	■	■

EXTERIOR EQUIPMENT			
BUMPER	Front and rear appearance.	■	■
GLASS	Solar-Ray™ Tinted, all windows.	■	■
GRILLE	Molded plastic with front lamp bezels painted light argent.	■	■
HEADLAMPS	Dual rectangular halogen.	■	■
MIRRORS	RH and LH stainless steel camper type with adjustable heads. 7.5" x 10.5".	■	■
TIRES	Refer to Order Guide for standard tires.	■	■
WHEELS	16.0" x 6.0" white painted steel wheels (six).	■	■
WINDSHIELD WIPERS	Intermittent.	■	■

INTERIOR EQUIPMENT			
AIR CONDITIONING	Front.	—	■
ARMREST	Padded, LH.	■	■
CIGARETTE LIGHTER	Includes cigarette ashtray.	■	■
DEFOGGERS	Side windows.	■	■
DOME LAMP	LH and RH front door-actuated switches.	■	■
DOORS	Side door guard beams.	■	■
FLOOR COVERING	Embossed black rubber mat on front floor area and wheelhousings.	■	■
GAGES	Engine temperature, fuel level, odometer, oil pressure, speedometer, trip odometer and voltmeter.	■	■
HEATER	Outside air and defogger.	■	■
HORN	Dual note.	■	■
MIRROR	10" rearview.	■	■
PARCEL TRAY	With beverage holder provisions.	■	■
RADIO	Electronically tuned AM with digital clock and fixed mast antenna.	■	■
SEATS	Adjustable high-back front bucket driver's seat with vinyl trim.	■	■
STEERING WHEEL	Includes anti-theft feature.	■	■
STORAGE BOX	With latched door.	■	■
SUNSHADES	RH and LH vinyl, color-keyed.	■	■

## OPTIONS

See your 1995 Chevrolet Truck Order Guide for specific availability and restrictions. The Option Code is listed in **bold type**.

### P30 COMMERCIAL CUTAWAY CHASSIS

Air Conditioning .....	<b>C60</b>
Alternator: 124 Amp (Requires L19 engine) .....	<b>KW2</b>
Axle, Front: I-Beam .....	<b>FS3</b>
Axle, Rear	
4.10 Ratio .....	<b>GT5</b>
4.56 Ratio .....	<b>HC4</b>
5.13 Ratio .....	<b>HC7</b>
Battery: Heavy-Duty .....	<b>UA1</b>
Convenience Group, Power door locks and windows .....	<b>ZQ2</b>

Door Locks, Power: .....	<b>AU3</b>
Emissions:	
Federal .....	<b>FE9</b>
Massachusetts .....	<b>NG1</b>
California .....	<b>YF5</b>
Federal Emissions Override .....	<b>NC7</b>
California Emissions Override .....	<b>NB8</b>
Engine:	
V8 5.7 liter (350 cu. in.) EFI .....	<b>L05</b>
V8 7.4 liter (454 cu. in.) EFI .....	<b>L19</b>
Floor Covering:	
Floor carpet with Scotchgard™ (includes carpeted step well) .....	<b>B30</b>
Floor Mats, Front .....	<b>B32</b>

GVWR:	
10,100 lb .....	<b>C6D</b>
11,000 lb .....	<b>C7E</b>
12,000 lb .....	<b>C7L</b>
14,100 lb .....	<b>C7M</b>
14,500 lb (School Bus only) .....	<b>C7S</b>
Heater: Engine block .....	<b>K05</b>
Mirrors Exterior:	
Mirror, Stainless Steel: Fixed LH/RH Extended Arm .....	<b>DF2</b>
Mirror Interior (Included w/B3D) Tilt inside rearview .....	<b>D31</b>
Paint, Exterior: Solid .....	<b>ZY1</b>

**OPTIONS (CONT.)**

- Radio Equipment:
- Radio Delete ..... **UL5**
- Electronically Tuned AM/FM Stereo Radio w/Seek-Scan and Digital Clock ..... **UM7**
- Electronically Tuned AM/FM Stereo Radio w/Seek-Scan, Stereo Cassette Tape and Digital Clock ..... **UM6**
- School Bus Chassis Equipment: (N/A P31862) (Requires L05,ZW9 and 14,500 GVWR) ..... **B3D**
- School Bus Special Equipment: (N/A P31862) (Requires B3D and L05) ..... **B3M**
- Seats:
- Front Auxiliary ..... **A57**
- Seat Not Desired ..... **YG4**
- Springs:
- Heavy-Duty, Rear ..... **G51**
- Rear, Auxiliary: (Requires 10,100 or 11,000 GVWR) (N/A FS3 Suspension) ..... **G60**
- Steering:
- Tilt-Wheel™ ..... **N33**
- Transmission:
- 4-Speed Electronically Controlled Automatic with Overdrive and Brake/Transmission Shift Interlock ..... **MT1**

- Trim, Special Interior ..... **Z73**
- Wheel, Spare: 19.5" x 6.00" (Requires YSF/YSG tires) ..... **Q34**
- Wheel, Spare: 16.0" x 6.0" (requires YYK or YWG tires) ..... **QD3**
- P30 MOTOR HOME CUTAWAY CHASSIS**
- Axle, Rear:
- 4.10 Ratio ..... **GT5**
- 4.56 Ratio ..... **HC4**
- Convenience Groups:
- Power door locks and windows ..... **ZQ2**
- Tilt-Wheel™ and speed control ..... **ZQ3**
- Door Locks, Power ..... **AU3**
- Emissions:
- Federal ..... **FE9**
- Massachusetts ..... **NG1**
- California ..... **YF5**
- Federal Emissions Override ..... **NC7**
- Cal./Mass. Emissions Override ..... **NB8**
- Engine:
- V8 7.4 liter (454 cu. in.) EFI ..... **L19**
- Floor Covering:
- Floor carpet with Scoringard™ (includes carpeted step well) ..... **B30**
- Floor Mats, Front color-keyed ..... **B32**
- Fuel Tank: 60 Gallon fuel tank ..... **NN4**
- GVWR:
- 11,800 lb ..... **C7J**
- 12,300 lb ..... **C7N**
- 14,500 lb ..... **C7S**

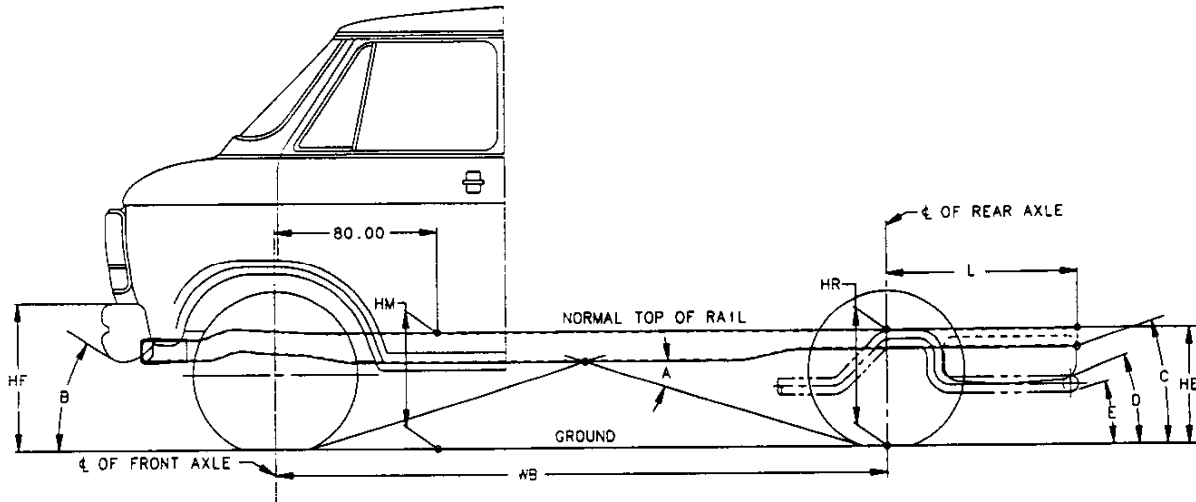
- Heater: Engine block ..... **K05**
- Mirrors Exterior:
- Mirror, Stainless Steel: Fixed LH/RH Extended Arm ..... **DF2**
- Paint, Exterior: Solid ..... **ZY1**
- Radio Equipment:
- Radio Delete ..... **UL5**
- Electronically Tuned AM/FM Stereo Radio w/Seek-Scan and Digital Clock ..... **UM7**
- Electronically Tuned AM/FM Stereo Radio w/Seek-Scan, Stereo Cassette Tape and Digital Clock ..... **UM6**
- Seats:
- High-Back Bucket Seat ..... **AV5**
- Front Auxiliary ..... **A57**
- Seat Not Desired ..... **YG4**
- Springs:
- Heavy-Duty, Rear ..... **G50**
- Steering:
- Steering Wheel, Leather-wrapped ..... **NP5**
- Transmission:
- 4-Speed Electronically Controlled Automatic with Overdrive and Brake/Transmission Shift Interlock ..... **MT1**
- Trim, Special Interior ..... **Z73**
- Wheel, Spare: 19.5" x 6.00" (Requires YNP/YTN tire) ..... **Q34**
- Wheel, Spare: 16.0" x 6.0" (Requires YYK or YWG tires) ..... **QD3**

<b>TIRES</b>				
<b>KEY: BW = BLACKWALL HWY = HIGHWAY BL = BLACK LETTERED OOR = ON-OFF ROAD</b>				
TIRE DESCRIPTION	FRONT	REAR	SPARE	
<b>P30 MOTOR HOME CUTAWAY CHASSIS</b>				
7.50R16-D	XWG	YWG	ZWG	
8.00R19.5-D	XNP	YNP	ZNP	
225/70R19.5-F	XTN	YTN	ZTN	
<b>P30 CUTAWAY CHASSIS</b>				
7.50R16-D	XWG	YWG	ZWG	
8.00-19.5-E	XTV	YTV	ZTV	
8.00R-19.5-E	XNP	YNP	ZNP	
LT215/85R-16-D	—	YYL	ZYL	
LT215/85R16-D	XYK	YYK	ZYK	

# P30 CUTAWAY CHASSIS

## DIMENSIONS

MODEL	P30 COMMERCIAL CUTAWAY CHASSIS				P30 (B3D) SCHOOL BUS CUTAWAY CHASSIS			P30 MOTOR HOME CUTAWAY CHASSIS				
	MODEL NUMBER	P30862	P31062	P31462	P31862	P30862	P31062	P31462	P31452	P31852	P31952	P32052
<b>EXTERIOR DIMENSIONS</b>												
<b>BODY</b>												
Wheelbase (in.)	125.0	133.0	157.0	178.0	125.0	133.0	157.0	158.5	178.0	190.0	208.0	
Overall Length (in.)	221.8	245.8	269.8		236.0	265.0	293.0	268.9	327.0	339.0	357.0	
Overall Height (in.) Nominal	90.3	89.8	90.4	89.9	90.3	89.8	90.4	89.8	91.8	97.8	97.4	
Maximum Width (in.)	82.7				82.7			82.5	83.0	85.0	85.0	
Rear Axle to end of frame (in.)	53.8	69.8	69.8	90.8	68.0	89.0	90.0	87.4	106.0	106.0	106.0	
Cab to Axle (in.)	73.6	81.6	105.6	126.6	73.6	81.6	105.6	107.1	126.6	138.6	156.6	
Cab to End of Frame (in.)	127.4	151.4	175.4	217.4	143.1	171.1	199.1	174.5	232.6	244.6	262.6	



### LETTER DESIGNATOR DEFINITIONS

#### FRAME HEIGHTS AND LENGTHS

- L** ..... *Centerline of axle to end of frame*
- HF** ..... *Top of bumper to ground*
- HM** ..... *Inside top of frame to ground*
- HR** ..... *Top of frame to ground at centerline of rear axle*
- HE** ..... *Top of frame to ground*

#### ANGLE(S)

- A** ..... *Ramp Breakover*

#### ANGLE(S) (APPROACH)

- B** ..... *Front bumper*

#### ANGLE(S) (DEPARTURE)

- C** ..... *Frame*
- D** ..... *Fuel tank*
- E** ..... *Tail pipe*



P 30052 Models

P31452		158.5" Wheelbase					Frame Heights at Base Model Curb Weight				Frame Heights and Angular Dimensions are shown at Maximum GAWR Front and Rear								
GVW/Tire	L	Base Model Curb Weight			GAWR		HF	HM	HR	HE	HF	HM	HR	HE	A	B	C	D	E
		Frnt	Rr	Ttl	Frnt	Rr													
11,800 7.5RX16		3383	2105	5488	4300	7500	21.1	24.6	28.3	30.3	20.0	22.2	23.8	24.8	12	26	17	10	11
12,300 7.5RX16		3378	3456	6834	4880	7500	22.1	24.9	27.5	28.9	19.4	22.1	24.5	25.8	12	25	18	11	12
14,500 8RX19.5		3382	2104	5486	5000	10000	22.6	27.2	32.8	35.9	20.0	23.8	28.0	30.4	16	26	22	15	18

P31852		178.0" Wheelbase					Frame Heights at Base Model Curb Weight				Frame Heights and Angular Dimensions are shown at Maximum GAWR Front and Rear								
GVW/Tire	L	Base Model Curb Weight			GAWR		HF	HM	HR	HE	HF	HM	HR	HE	A	B	C	D	E
		Frnt	Rr	Ttl	Frnt	Rr													
12,300 7.5X16		3416	2199	5615	4880	7500	24.2	25.0	28.7	31.1	21.8	22.0	24.5	26.1	11	21	14	17	12
14,500 8RX19.5		3418	2200	5618	5000	10000	24.9	26.9	32.7	36.5	22.4	23.6	28.0	30.9	14	23	17	23	17

P31952		190.0" Wheelbase					Frame Heights at Base Model Curb Weight				Frame Heights and Angular Dimensions are shown at Maximum GAWR Front and Rear								
GVW/Tire	L	Base Model Curb Weight			GAWR		HF	HM	HR	HE	HF	HM	HR	HE	A	B	C	D	E
		Frnt	Rr	Ttl	Frnt	Rr													
14,500		3629	2406	6035	5000	10000	22.4	26.6	32.7	37.0	20.3	23.6	28.1	31.3	13	27	17	15	17

P32052		208.0" Wheelbase					Frame Heights at Base Model Curb Weight				Frame Heights and Angular Dimensions are shown at Maximum GAWR Front and Rear								
GVW/Tire	L	Base Model Curb Weight			GAWR		HF	HM	HR	HE	HF	HM	HR	HE	A	B	C	D	E
		Frnt	Rr	Ttl	Frnt	Rr													
14,500 8RX19.5		3646	2413	6059	5000	10000	22.5	26.4	32.7	36.7	20.4	23.5	28.1	31.0	12	27	14	14	17

P 30062 Models

P30862 125.0" Wheelbase						Frame Heights at Base Model Curb Weight				Frame Heights and Angular Dimensions are shown at Maximum GAWR Front and Rear									
GVW/Tire	L	Base Model Curb Weight			GAWR		HF	HM	HR	HE	HF	HM	HR	HE	A	B	C	D	E
		Frt	Rr	Ttl	Frt	Rr													
10,100 LT215/85R16		3126	1836	4962	4000	7900	23.2	25.1	28.1	30.0	22.3	22.5	23.4	23.9	15	26	21	15	10
11,000 LT215/85R16		3120	1920	5040	4000	7900	23.3	25.2	28.2	30.0	22.4	22.6	23.5	24.1	16	26	21	16	10
12,000 8X19.5		3182	1978	5160	4500	9840	25.0	27.1	30.4	32.5	22.9	24.5	27.1	28.8	20	22	26	22	16
14,100 8X19.5		3520	1984	5504	5000	11000	24.3	26.7	30.2	32.5	21.6	23.9	27.3	29.5	19	25	26	23	17
14,500 8X19.5		5006	5431	10437	5000	11000	21.3	24.3	28.7	31.5	21.7	23.8	26.9	28.9	19	26	26	22	16

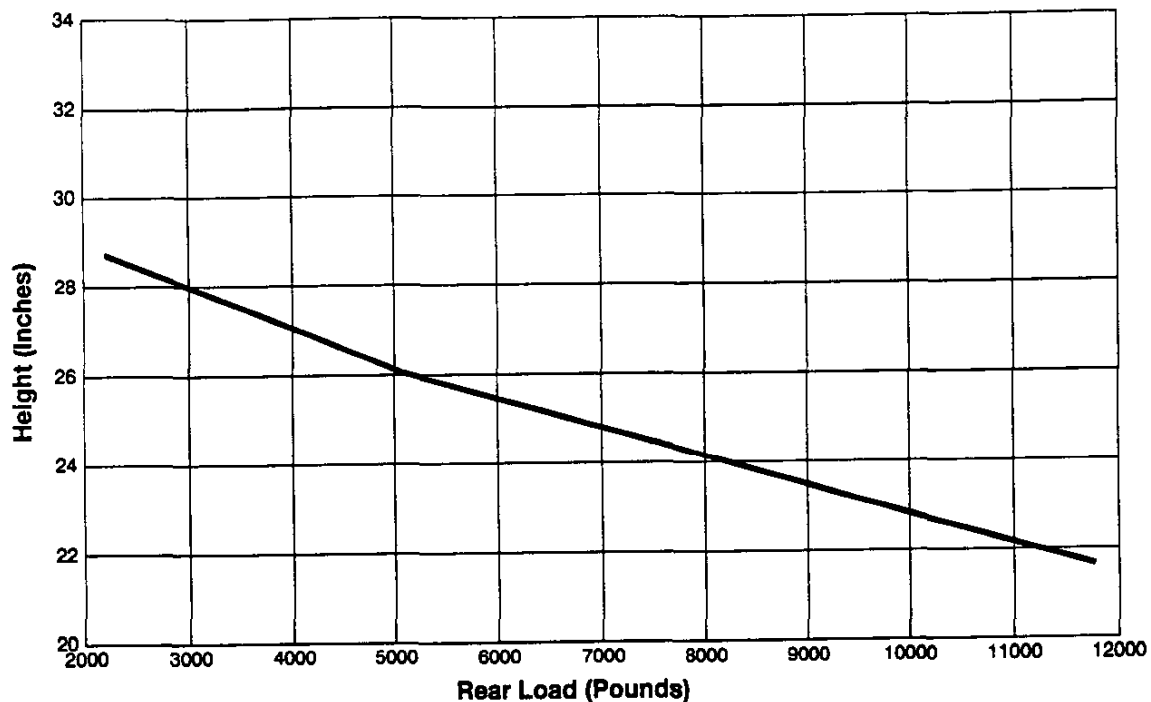
P31062 125.0" Wheelbase						Frame Heights at Base Model Curb Weight				Frame Heights and Angular Dimensions are shown at Maximum GAWR Front and Rear									
GVW/Tire	L	Base Model Curb Weight			GAWR		HF	HM	HR	HE	HF	HM	HR	HE	A	B	C	D	E
		Frt	Rr	Ttl	Frt	Rr													
10,100 LT215/85R16		3136	1837	4973	4000	7900	23.3	24.9	27.5	29.1	22.6	22.1	22.8	22.3	14	27	22	17	10
11,000 LT215/85R16		3130	1840	4970	4000	7900	23.4	25.1	27.9	29.7	22.4	22.6	23.4	23.9	15	26	24	19	12
12,000 8X19.5		3192	1978	5170	4500	9840	25.2	26.9	29.5	31.2	23.4	23.7	24.8	25.5	17	29	26	22	15
14,100 8X19.5		3530	1986	5516	5000	11000	24.5	26.7	30.0	32.2	22.0	23.8	26.6	28.4	19	26	30	27	19
14,500 8X19.5		4983	5943	10926	5000	11000	21.6	24.3	28.2	30.6	21.9	23.7	26.6	28.5	19	26	30	27	19

P31462 157.0" Wheelbase						Frame Heights at Base Model Curb Weight				Frame Heights and Angular Dimensions are shown at Maximum GAWR Front and Rear									
GVW/Tire	L	Base Model Curb Weight			GAWR		HF	HM	HR	HE	HF	HM	HR	HE	A	B	C	D	E
		Frt	Rr	Ttl	Frt	Rr													
10,100 LT215/85R16		3145	1978	5123	4000	7900	23.8	24.7	27.9	29.8	22.9	22.4	23.4	24.0	12	24	16	15	10
11,000 LT215/85R16		3140	1982	5122	4000	7900	21.7	24.8	28.0	29.8	20.7	22.5	23.5	24.1	12	27	16	9	10
12,000 8X19.5		3202	2120	5322	4500	9840	23.4	26.8	30.4	32.4	21.2	24.2	27.2	28.8	16	28	20	13	16
14,100 8X19.5		3540	2126	5666	5000	11000	22.7	26.4	30.4	32.7	20.2	23.5	27.0	28.9	15	27	20	22	16
14,500 8X19.5		5132	6417	11549	5000	11000	19.7	23.7	28.3	31.0	20.3	23.5	26.9	28.8	15	27	21	22	16

P31862 178.0" Wheelbase		Frame Heights at Base Model Curb Weight				Frame Heights and Angular Dimensions are shown at Maximum GAWR Front and Rear													
GVW/Tire	L	Base Model Curb Weight			GAWR		HF	HM	HR	HE	HF	HM	HR	HE	A	B	C	D	E
		Frt	Rr	Ttl	Frt	Rr													
10,100 LT215/85R16		3153	2052	5205	4000	7900	23.9	24.7	28.2	30.6	23.0	22.3	23.3	23.9	11	23	12	15	10
10,100 LT215/85R16		3148	2054	5202	4000	7900	23.9	24.8	28.3	30.6	22.3	23.3	27.2	29.8	13	22	16	14	13
12,000 8RX19.5		3208	2194	5402	4500	9840	25.7	26.6	30.3	32.8	23.6	24.1	27.1	29.1	14	24	15	21	16
14,100 8X19.5		3464	2200	5664	5000	11000	25.3	26.3	30.3	33.0	22.6	23.4	26.9	29.3	13	23	16	21	16

### LOAD HEIGHT CHART (Base P30052)

Height From Normal Top of Frame to Ground at Centerline of Rear Axle



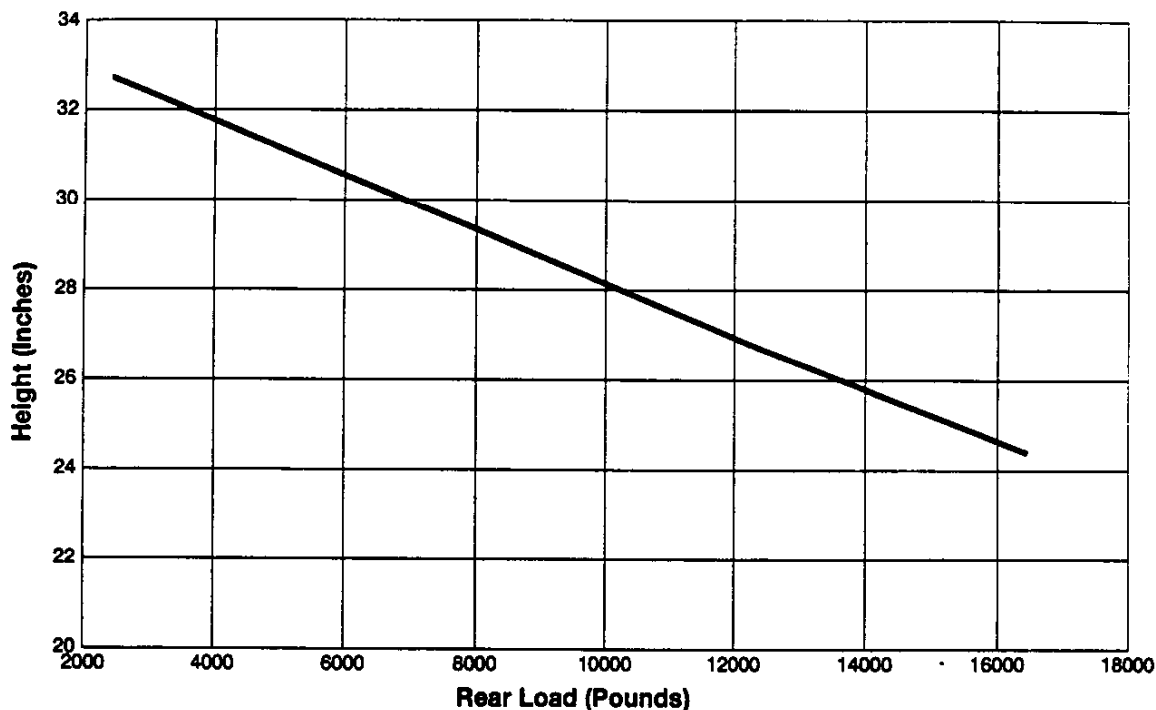
Rear Spring Part Number: 15687312

Applicable Models and GAWRs:

Model	GVW		GAWR at Rear
	RPO	Rating	
P31452	C7C	10,500	6,200
P31452	C7E	11,000	6,200
P31452	C7J	11,800	7,500
P31452	C7N	12,300	7,500
P31852	C7N	12,300	7,500

## LOAD HEIGHT CHART (Base P30052)

**Height From Normal Top of Frame to Ground at Centerline of Rear Axle**



**Rear Spring Part Number: 15680346**

**Applicable Models and GAWRs:**

Model	GVW		GAWR at Rear
	RPO	Rating	
P31452	C7S	14,500	10,000
P31852	C7S	14,500	10,000
P31952	C7S	14,500	10,000
P32052	C7S	14,500	10,000

**PAYLOAD WEIGHT DISTRIBUTION FOR VANDURA 3500 HD COMMERCIAL CHASSIS  
(% FRONT / REAR)**

MODEL NO.	DIMENSIONS (IN)				BODY LENGTHS - FT.					
	WB	CA	CE	OL	10	12	14	16	18	20
P30862	125.0	73.6	127.4	221.8	11 / 89	1 / 99				
P31062	133.0	81.6	151.4	245.8	16 / 84	7 / 93				
P31462	157.0	105.6	175.4	269.8		21 / 79	14 / 86	6 / 94		
P31862	178.0	126.6	217.4	311.9			24 / 76	17 / 83	10 / 90	4 / 96

**SUGGESTED SEATING FOR VANDURA 3500 HD SCHOOL BUS CHASSIS**

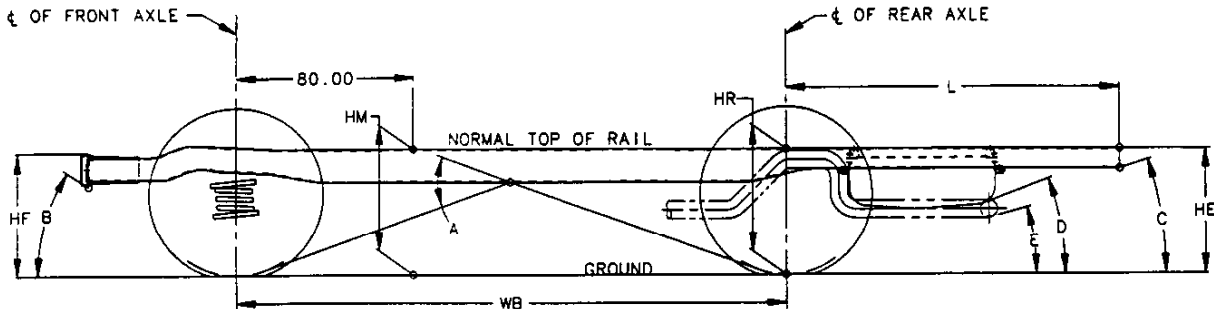
MODEL NO.	DIMENSIONS (IN)				** Suggested Seating *
	WB	CA	CE	OL	
P30862	125.0	73.6	127.4	236.0	16 - 20
P31062	133.0	81.6	151.4	265.0	20 - 26
P31462	157.0	105.6	175.4	293.0	24 - 30

**SUGGESTED BODY LENGTH VANDURA 3500 HD MOTOR HOME CHASSIS**

MODEL NO.	DIMENSIONS (IN)				** Suggested Body Length *
	WB	CA	CE	OL	
P31452	158.5	170.1	174.5	268.9	12 - 16
P31852	178.0	126.6	232.6	327.0	14 - 20
P31952	190.0	138.6	244.6	339.0	16 - 22
P32052	208.0	156.6	262.6	357.0	18 - 24

\* Seating varies by size of children

\*\* It Is Recommended That You Consult The Body Builder Book And Body Manufacturer Before Ordering This Vehicle.



**LETTER DESIGNATOR DEFINITIONS  
P30032 Models with Independent Front Suspension**

**FRAME HEIGHTS AND LENGTHS**

- L** ..... *Centerline of axle to end of frame*
- HF** ..... *Top of bumper to ground*
- HM** ..... *Inside top of frame to ground*
- HR** ..... *Top of frame to ground at centerline of rear axle*
- HE** ..... *Top of frame to ground*

**ANGLE(S)**

- A** ..... *Muffler*

**ANGLE(S) (APPROACH)**

- B** ..... *Front crossmember*

**ANGLE(S) (DEPARTURE)**

- C** ..... *Frame*
- D** ..... *Fuel tank*
- E** ..... *Tail pipe*

*Note: All weights are in pounds and all dimensions are in inches.*

**Chassis** P 30032 Frame Height and Ramp Angle Data

### P 30032 Models with Independent Front Suspension

P31132		137.0" Wheelbase					Frame Heights at Base Model Curb Weight				Frame Heights and Angular Dimensions are shown at Maximum GAWR Front and Rear								
GVW/Tire	L	Base Model Curb Weight			GAWR		HF	HM	HR	HE	HF	HM	HR	HE	A	B	C	D	E
		Frnt	Rr	Ttl	Frnt	Rr													
11,800 LT215/85R16		2415	1723	4138	4300	7500	23.0	26.1	28.4	30.4	20.0	22.4	24.4	25.6	13	26	18	10	12
12,300 7.50R16		2448	1792	4240	4880	7500	23.6	26.7	28.9	30.8	19.4	22.2	24.2	26.0	14	22	18	11	12

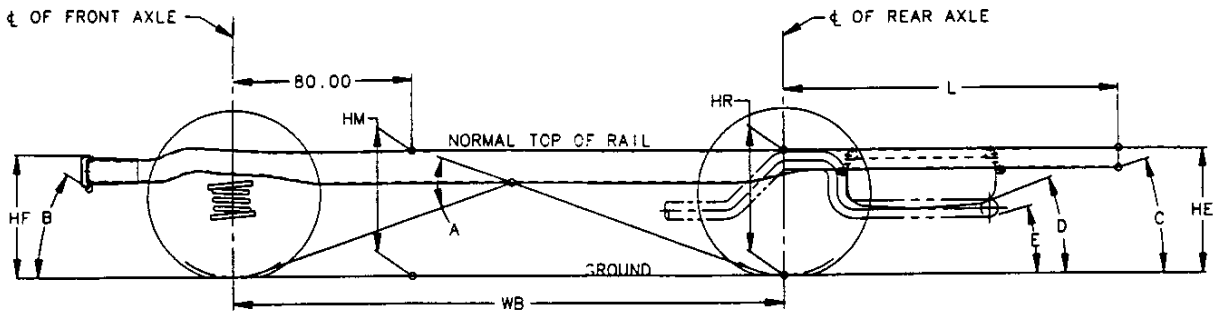
P31432		158.5" Wheelbase					Frame Heights at Base Model Curb Weight				Frame Heights and Angular Dimensions are shown at Maximum GAWR Front and Rear								
GVW/Tire	L	Base Model Curb Weight			GAWR		HF	HM	HR	HE	HF	HM	HR	HE	A	B	C	D	E
		Frnt	Rr	Ttl	Frnt	Rr													
11,800 LT215/85R16		2381	1915	4296	4300	7500	23.4	26.0	28.4	29.8	20.1	22.2	23.8	24.7	12	26	17	10	11
12,300		2415	1955	4370	4880	7500	23.9	26.5	28.9	30.3	19.5	22.1	24.5	25.8	12	25	18	11	12
14,800 8RX19.5		2381	1915	4296	5300	10000	24.6	28.5	34.0	38.0	19.4	23.4	29.9	33.3	17	25	12	11	11

P31832		178.0" Wheelbase					Frame Heights at Base Model Curb Weight				Frame Heights and Angular Dimensions are shown at Maximum GAWR Front and Rear								
GVW/Tire	L	Base Model Curb Weight			GAWR		HF	HM	HR	HE	HF	HM	HR	HE	A	B	C	D	E
		Frnt	Rr	Ttl	Frnt	Rr													
14,800 8X19.5		2516	2257	4773	5300	10000	24.6	28.2	32.8	36.3	19.6	23.3	28.1	31.8	14	25	15	15	18
16,000 8X19.5		2590	2324	4914	5500	10500	24.5	28.1	32.7	36.3	19.3	23.0	27.8	31.5	13	25	15	15	17

P31932		190.0" Wheelbase					Frame Heights at Base Model Curb Weight				Frame Heights and Angular Dimensions are shown at Maximum GAWR Front and Rear								
GVW/Tire	L	Base Model Curb Weight			GAWR		HF	HM	HR	HE	HF	HM	HR	HE	A	B	C	D	E
		Frnt	Rr	Ttl	Frnt	Rr													
14,800 8X19.5		2581	2278	4859	5300	10000	25.1	28.4	32.8	35.9	20.9	24.1	28.1	30.9	14	28	14	14	17
16,000 8X19.5		2656	2346	5002	5500	10500	25.0	28.3	32.7	35.8	20.0	23.3	27.8	31.0	13	26	14	14	17

P32032		208.0" Wheelbase					Frame Heights at Base Model Curb Weight				Frame Heights and Angular Dimensions are shown at Maximum GAWR Front and Rear								
GVW/Tire	L	Base Model Curb Weight			GAWR		HF	HM	HR	HE	HF	HM	HR	HE	A	B	C	D	E
		Frnt	Rr	Ttl	Frnt	Rr													
14,800 8X19.5		2572	2311	4882	5300	10000	24.7	28.0	32.8	35.8	19.8	23.1	28.1	31.3	12	26	15	14	17
16,000 8X19.5		2646	2378	5024	5500	10500	24.6	27.9	32.7	35.8	19.4	22.8	27.8	31.0	11	25	14	14	17





**LETTER DESIGNATOR DEFINITIONS**  
**P30042 Models with Independent Front Suspension**

**FRAME HEIGHTS AND LENGTHS**

- L** ..... *Centerline of axle to end of frame*
- HF** ..... *Top of bumper to ground*
- HM** ..... *Inside top of frame to ground*
- HR** ..... *Top of frame to ground at centerline of rear axle*
- HE** ..... *Top of frame to ground*

**ANGLE(S)**

- A** ..... *Ramp breakover*

**ANGLE(S) (APPROACH)**

- B** ..... *Front bumper*

**ANGLE(S) (DEPARTURE)**

- C** ..... *Frame*
- D** ..... *Fuel tank*
- E** ..... *Tail pipe*

*Note: All weights are in pounds and all dimensions are in inches.*

**Chassis** P 30042 Frame Height and Ramp Angle Data

### P 30042 Models with Independent Front Suspension

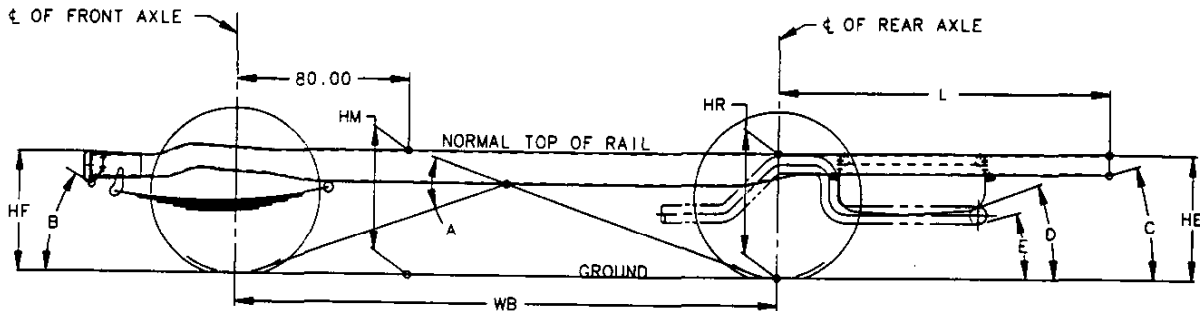
P30842		125.0" Wheelbase					Frame Heights at Base Model Curb Weight				Frame Heights and Angular Dimensions are shown at Maximum GAWR Front and Rear								
GVW/Tire	L	Base Model Curb Weight			GAWR		HF	HM	HR	HE	HF	HM	HR	HE	A	B	C	D	E
		Frnt	Rr	Ttl	Frnt	Rr													
9000 LT215/85R16		1920	1632	3552	4000	6084	26.7	26.9	28.4	29.3	23.1	22.9	24.0	24.8	15	25	17	20	11
9000 LT215/85R16		1882	1473	3355	4000	6200	26.3	26.5	28.0	28.9	22.4	22.3	23.4	24.1	15	24	21	16	10
10,000 LT215/85R16		1998	1788	3786	4000	7900	25.8	26.2	27.9	29.0	22.0	22.7	23.6	24.3	16	24	21	16	11
11,000 LT215/85R16		1998	1788	3786	4060	7900	25.9	26.3	28.0	29.0	22.5	22.4	23.5	24.2	15	24	21	16	10
12,000 LT215/85R16		2112	1862	3974	4500	9840	25.4	26.2	28.3	29.6	23.2	24.4	27.1	28.8	20	25	26	22	16
14,100 8X19.5		2348	1934	4282	4500	11000	26.8	27.8	30.2	31.7	23.2	24.4	26.9	28.5	20	25	25	22	16
14,500 8X19.5		2104	1968	4072	5000	11000	27.3	28.0	30.2	31.5	21.7	23.6	26.9	29.0	19	23	26	22	16

P31042		133.0" Wheelbase					Frame Heights at Base Model Curb Weight				Frame Heights and Angular Dimensions are shown at Maximum GAWR Front and Rear								
GVW/Tire	L	Base Model Curb Weight			GAWR		HF	HM	HR	HE	HF	HM	HR	HE	A	B	C	D	E
		Frnt	Rr	Ttl	Frnt	Rr													
9000 LT225/75R16		1926	1638	3564	4000	6084	26.8	26.9	28.4	29.6	23.0	22.6	23.4	24.0	15	25	16	19	10
9000 LT215/85R16		1887	1478	3365	4000	6200	26.3	26.5	28.0	29.1	22.7	22.4	23.4	24.2	14	24	16	19	10
10,000 LT215/85R16		1998	1788	3786	4000	7900	25.9	26.0	27.6	28.8	21.0	20.0	20.0	20.0	14	24	16	19	10
11,000 LT215/85R16		1998	1788	3786	4000	7900	25.9	26.2	28.0	29.3	22.8	22.5	23.5	24.2	15	24	16	19	10
12,000 LT215/85R16		2112	1862	3974	4500	9840	25.4	26.1	28.3	29.9	23.2	24.3	27.1	29.1	19	25	20	27	16
14,100 8X19.5		2112	1878	3990	4500	11000	27.3	28.0	30.2	31.9	23.3	24.3	26.9	28.8	18	25	20	26	16
14,500 8X19.5		2082	2046	4129	5000	11000	27.5	28.1	30.1	31.7	22.1	23.6	26.9	29.3	18	23	20	27	16

**P 30042 Models with Independent Front Suspension**

P31442 157.0" Wheelbase							Frame Heights at Base Model Curb Weight				Frame Heights and Angular Dimensions are shown at Maximum GAWR Front and Rear								
GVW/Tire	L	Base Model Curb Weight			GAWR		HF	HM	HR	HE	HF	HM	HR	HE	A	B	C	D	E
		Frt	Rr	Ttl	Frt	Rr													
9000 LT235/85R16		2004	1710	3714	4000	6084	26.7	26.7	28.3	29.2	23.1	22.8	24.0	24.7	13	25	17	16	11
9000 LT215/85R16		1965	1551	3516	4000	6200	26.2	26.3	28.3	29.4	22.4	22.3	23.9	24.9	12	23	17	16	11
10,000 LT215/85R16		2076	1860	3936	4000	7900	25.8	25.8	27.5	28.6	22.5	22.2	23.3	24.0	12	24	16	15	10
11,000 LT215/85R16		2076	1860	3936	4000	7900	25.9	26.0	27.9	29.0	22.9	22.4	23.5	24.1	12	24	16	15	10
12,000 LT215/85R16		2190	1934	4124	4500	9840	25.4	25.8	28.2	29.6	23.4	24.2	27.1	28.8	16	25	20	22	16
14,100 8X19.5		2190	1952	4142	4500	11000	27.4	27.8	30.3	31.7	23.4	24.1	26.9	28.5	16	26	20	21	15

P31842 178.0" Wheelbase							Frame Heights at Base Model Curb Weight				Frame Heights and Angular Dimensions are shown at Maximum GAWR Front and Rear								
GVW/Tire	L	Base Model Curb Weight			GAWR		HF	HM	HR	HE	HF	HM	HR	HE	A	B	C	D	E
		Frt	Rr	Ttl	Frt	Rr													
10,000 LR215/85R16		2036	1856	3892	4000	7900	28.1	27.5	28.4	29.1	26.0	24.4	23.4	22.8	12	29	12	14	9
11,000 LT215/85R16		2056	1998	4054	4000	7900	28.7	27.8	28.3	28.6	25.3	25.3	27.2	28.5	15	28	15	21	15
12,000 8X19.5		2474	2136	4610	4500	9840	29.6	29.1	30.3	31.1	27.0	26.4	27.5	28.2	16	31	15	21	15
14,100 8X19.5		2474	2154	4628	4500	11000	29.6	29.1	30.3	31.1	27.1	26.3	26.9	27.3	16	31	14	20	14



**LETTER DESIGNATOR DEFINITIONS**  
**P0042 Models with 'I' Beam FS3 Front Axle**

**FRAME HEIGHTS AND LENGTHS**

- L** ..... *Centerline of axle to end of frame*
- HF** ..... *Top of bumper to ground*
- HM** ..... *Inside top of frame to ground*
- HR** ..... *Top of frame to ground at centerline of rear axle*
- HE** ..... *Top of frame to ground*

**ANGLE(S)**

- A** ..... *Muffler*

**ANGLE(S) (APPROACH)**

- B** ..... *Sprg Bracket*

**ANGLE(S) (DEPARTURE)**

- C** ..... *Frame*
- D** ..... *Fuel tank*
- E** ..... *Tail pipe*

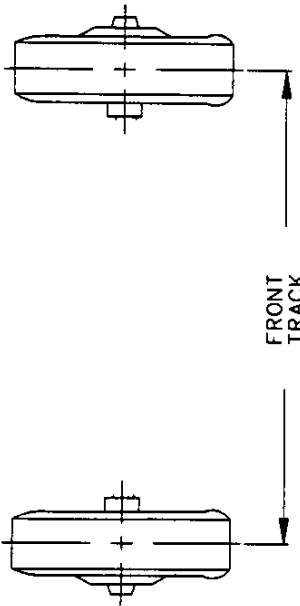
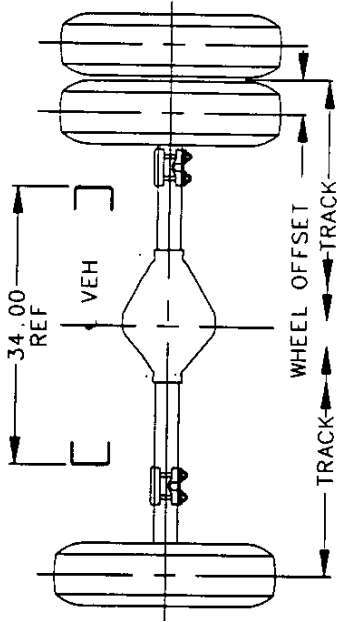
*Note: All weights are in pounds and all dimensions are in inches.*

**P 30042 Models with I Beam FS3 Front Axle**

P30842 125.0" Wheelbase				Frame Heights at Base Model Curb Weight				Frame Heights and Angular Dimensions are shown at Maximum GAWR Front and Rear											
GVW/Tire	L	Base Model Curb Weight			GAWR		HF	HM	HR	HE	HF	HM	HR	HE	A	B	C	D	E
		Frt	Rr	Ttl	Frt	Rr													
11,500 LT215/85R16		1882	1472	3354	3880	7900	26.2	26.6	28.4	29.5	23.0	22.6	23.5	24.0	16	24	21	16	16
16,000 8RX19.5		1882	1472	3354	5000	11000	28.0	28.6	31.3	32.9	22.0	23.7	28.1	30.7	21	22	15	13	10

P31042 133.0" Wheelbase				Frame Heights at Base Model Curb Weight				Frame Heights and Angular Dimensions are shown at Maximum GAWR Front and Rear											
GVW/Tire	L	Base Model Curb Weight			GAWR		HF	HM	HR	HE	HF	HM	HR	HE	A	B	C	D	E
		Frt	Rr	Ttl	Frt	Rr													
11,500 LT215/85R16		1886	1478	3364	3880	7900	26.2	26.6	28.4	29.7	23.0	22.6	23.5	24.1	15	24	16	19	10
16,000 8RX19.5		1886	1478	3364	5000	11000	28.0	28.6	31.1	32.6	22.1	23.6	27.7	30.2	19	22	16	14	11

P31442 157.0" Wheelbase				Frame Heights at Base Model Curb Weight				Frame Heights and Angular Dimensions are shown at Maximum GAWR Front and Rear											
GVW/Tire	L	Base Model Curb Weight			GAWR		HF	HM	HR	HE	HF	HM	HR	HE	A	B	C	D	E
		Frt	Rr	Ttl	Frt	Rr													
11,500 LT215/85R16		1966	1552	3518	3880	7900	26.2	26.3	28.3	29.4	23.1	22.5	23.5	24.0	12	23	16	15	10
16,000 8RX19.5		1966	1552	3518	5000	11000	28.0	28.3	30.5	31.9	22.8	22.8	24.6	25.6	13	23	17	17	12



MINIMUM TIRE FOR GVWR										
MODEL	GVW	MINIMUM TIRE *	MAX WIDTH	RADIUS	SLR	REAR WHEEL	WHEEL OFFSET	FRONT SUSP	FRONT TRACK	REAR TRACK
P30842	7600	LT215/85R16C/D	8.50	15.20	14.13	SINGLE	.67	IND	66.44	65.54
P31042	&	LT235/85R16D/D	9.25	15.87	14.61	SINGLE	.67	IND	66.44	65.54
P31442	9000	LT235/85R16E/E	8.50	15.20	14.09	DUAL	5.00	42 IND	65.34	63.41
P30842	9000	LT215/85R16C/C	8.50	15.20	14.09	DUAL	5.00	42 IND&L57/ L05&JF9-FS3	65.73	63.41
P30062	THRU	LT215/85R16C/D	8.50	15.20	14.09	DUAL	5.00	32/52/62 IND	69.70	66.75
P30842/62	11500 COMMERCIAL	7.50-16LTD/D	8.65	15.90	14.79	DUAL	5.00	42/62 I-BEAM	72.64	66.75
P31042/62	12000 THRU	8-19.5D/D	8.70	16.91	16.00	DUAL	5.00	42 IND	65.34	66.75
P31442/62	14100 COMMERCIAL	8-19.5D/E	8.70	16.91	16.00	DUAL	5.00	42 IND&L57/ L05&JF9-FS3	65.73	66.75
P31842/62	14500 SCHOOL BUS	8-19.5D/E	8.70	16.91	16.00	DUAL	5.00	62 IND	69.70	66.75
P31432/52	14500	8-19.5D/D	8.70	16.91	16.00	DUAL	5.00	I-BEAM	72.64	66.75
P31832/52	&	8-19.5D/D	8.70	16.91	16.00	DUAL	5.00	IND	69.70	66.75
P31932/52	14800	8-19.5D/D	8.70	16.91	16.00	DUAL	5.00	IND	69.70	66.75
P32032/52	16000	8-19.5D/D	8.70	16.91	16.00	DUAL	5.00	IND	69.70	66.75
P31832										
P31932										
P32032										

\* ALL P MODELS ARE 6.00 RIM WIDTH

