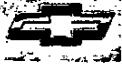


'93

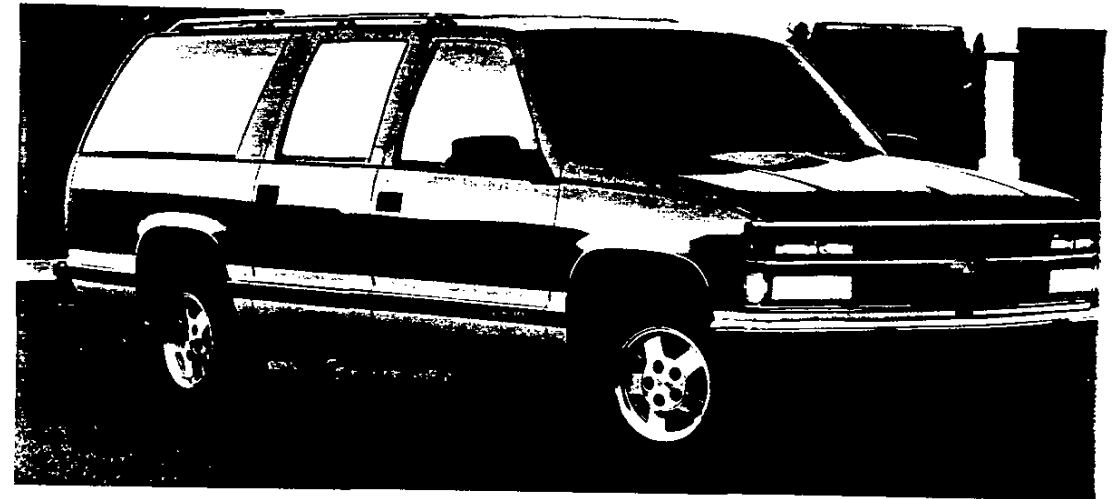


Suburban

Ordering Information

New for '93

- ▶ "Leading edge" anti-chip coating (same as coating applied to rocker panels) is now used on leading edges of hood, roof and entire "A" pillars; helps prevent stone chips in these areas.
- ▶ Electronically controlled RPO MXD 4-speed automatic transmission for models under 8600 lbs. GVWR. (Now both the light-duty and the heavy-duty transmissions have electronic controls.)
- ▶ Solar-Ray™ tinted glass standard – all windows; reflects and absorbs up to 60 percent of the sun's energy to reduce interior heat buildup.
- ▶ **Scotchgard™ Fabric Protector** on seats and door trim panels (cloth interiors only).
- ▶ Seat-back recliner feature added to passenger side of optional 40/60 split-bench seat and low-back bucket seats.
- ▶ Steel sleeve steering column with Comfortilt wheel is designed for improved security. Improvements include three steel shields, revised lock cylinder and new lock bolt spring.
- ▶ Dual cup holders, mounted on instrument panel (except with bucket seats).



Feature Vehicle: C1500 Silverado ▲



C1500 Silverado Interior ▲

- ▶ Cloth-covered sun visors.
- ▶ Electronic fuel shut-off, automatically limits maximum vehicle speed to less than tire speed rating.
- ▶ Revised radio controls: new control panel and improved push-button operation.
- ▶ Optional rear-control air conditioning features improved control labeling; for increased legibility and easier operation.
- ▶ Deluxe front appearance option (RPO V22) available with Cheyenne trim.
- ▶ New '93 exterior color – Indigo Blue Metallic – Code 39; replaces Brilliant Blue Metallic – Code 22.
- ▶ Special Two-Tone paint (RPO ZY3) is cancelled (interim 1992 change).

Key Value Features

- ▶ Properly equipped, the 1993 Suburban can move up to 17,000 lbs. – 500 lbs. more than pre-1992 models could handle – including vehicle, trailer, people, cargo and equipment.
- ▶ 5.7 Liter V8 gasoline engine standard all models; 7.4 Liter V8 gasoline engine optional in 2500 models only.
- ▶ 4-speed automatic overdrive transmission with electronic controls standard.
- ▶ 4-wheel anti-lock brake system (ABS) is standard on all models; helps minimize wheel lockup when brakes are applied during hard braking. Also allows driver to steer around obstacles while braking.
- ▶ Self-aligning steering wheel; designed to automatically align with driver's body in the event of a frontal collision to help reduce chest impact and injury.
- ▶ Two-side-galvanized steel body panels (excluding roof); for outstanding corrosion protection.
- ▶ Base-coat/clear-coat paint; provides a durable, long-lasting, deep-gloss finish.
- ▶ Optional seating for up to nine passengers.
- ▶ Standard foam-cushioned, full-width, full-depth front bench seat. Optional full-width split-bench second seat. Full-width third bench seat optional.
- ▶ Suburban features a semi-perimeter, tapered all-steel frame with welded-box front section, for strength and durability.

'93



Suburban



Listed below are the most popular Suburban colors nationally, based on 1992 Model Year production volumes.

NOTE: These colors are for reference only. Use RSA to identify the top-selling colors, by model, in your area.

COLOR	PERCENT (%)
50 - Summit White	22
36 - Teal Blue Met.	18
41 - Onyx Black	11
76 - Burnt Red Met.	10

NOTE: Suburban has one new exterior color for 1993:
39 - Indigo Blue Met.

Suburban enjoys the virtually unchallenged prestige of sales leadership within the full-size truck-wagon segment.

- ▶ Popular as a personal-use vehicle, Suburban appeals to consumers seeking vacation/recreation utility and superior trailering capability.
- ▶ Suburban buyers typically have relatively high income levels and are often upscale professionals, managers or retirees. Suburban also has broad fleet and other commercial applications due to its excellent versatility.
- ▶ Suburban's prestige is secured for 1993 with the continuation of the new styling introduced on 1992 models. Suburban benefits

from its close association with Chevrolet's tough C/K platform, which provides its foundation.

- ▶ Totally redesigned and reengineered in '92, Suburban has a longer wheelbase, improved driveability, ride, visibility and steering when compared to pre-1992 models.
- ▶ Additional features not found on earlier generation Suburbans include Insta-Trac™ 4WD system, independent front suspension, 500 lbs. more towing capacity, easier entry and exit and the added safety of 4-wheel anti-lock brakes (ABS).
- ▶ In ride, room and wagon versatility, there is no direct competition for the '93 Suburban.

FEATURE AND FOCUS VEHICLE

The C1500 Silverado serves as both the Suburban Feature and Focus vehicles for 1992. It is the vehicle Chevrolet plans to feature in advertising, merchandising, show and display activities. Marketing efforts will also focus on the C1500 Silverado, as it represents the best opportunity for volume sales nationally.

NOTE: The Suburban Focus model may vary in your locality. You can verify or select your dealership's Suburban Focus model with Retail Sales Analysis (RSA).

FOCUS PLANNING WITH RETAIL SALES ANALYSIS

Economic influences, fuel costs, seasonal changes and many other variable factors can influence truck customers. During the model year you can "take the pulse" of buyers as required to determine

what models, PEGs and colors are currently being most often chosen. To do this, Chevrolet Motor Division recommends that you utilize Retail Sales Analysis when ordering vehicles for inventory. The RSA is found in the Chevrolet Dealer Information System (DCS/CDIS).

- ▶ Use RSA to identify which Suburban models, PEGs and colors are selling at your dealership as well as at other dealerships in your MDA, Sales Area, ADI, MSSA, Branch, SMA, and National.
- ▶ You can increase your inventory turnover rate by using RSA to identify top-selling models and PEGs that you can focus on in your advertising and promotions.
- ▶ For more information about RSA, refer to your Chevrolet Dealer Information System (CDIS) Manual or contact your Account Manager - CMC.

Preferred Equipment Groups

Popular Suburban options are combined into convenient Preferred Equipment Groups. These equipment packages are designed to:

- ▶ Appeal to a broad base of your truck customers
- ▶ Make ordering easier
- ▶ Add value to vehicles and enhance trade-in value
- ▶ Enable you to make your inventory and sales strategies more responsive to your competition.

The new Chevy Suburban appeals to families who drive and trailer long distances. Suburban's Preferred Equipment Group 3 offers the features these typical customers will want and is the recommended Focus PEG group for 1993 ordering.

1993 SUBURBAN RECOMMENDED FOCUS MODEL/PEG

- ▶ **C1500 Suburban with Preferred Equipment Group 3 (N1A3)**
Includes: ♦ Body (ZW9 Panel Doors or E55 Tailgate)
♦ Silverado Decor ♦ Air Conditioning, Front ♦ Convenience Group: Comfortilt Steering and Speed Control ♦ Convenience Group: Power Door Locks and Windows ♦ AM/FM Stereo with Cassette ♦ Rear Window Wiper/Washer System (w/E55 Tailgate body only) ♦ Remote Electric Outside Rearview Mirror ♦ Aluminum Wheels.

See Truck Order Guide for complete PEG availability, full content descriptions and allowable substitutions.

MODELS PASSENGERS

Suburban (CC10906)	3
Suburban (CK10906)	3

DIMENSIONS

Wheelbase (inches)	131.5
Length (overall-inches)	218.9
Width (overall-inches)	73.6
Payload (pounds-tire dependent)	
C10906 5.7L V8	2123
K10906 5.7L V8	2052
GVWR	
C10906	6800
K10906	7200
Fuel Tank Capacity	42 Gal.

POWER TEAMS

STANDARD ENGINE	
RPO L05 5.7 Liter V8 Engine with Electronic Fuel Injection (EFI)	
STANDARD TRANSMISSION	
RPO MX0 4-Speed Electronically Controlled Automatic w/Overdrive	
STANDARD REAR AXLE RATIO	3.42

STANDARD EQUIPMENT SUMMARY

EXTERIOR

Brakes: 4-wheel anti-lock
 Bumper: Front and rear chromed bumpers with black rub strip and rear step pad
 Doors: Rear Panel
 Grille: Molded plastic grille and front lamp bezels painted light and dark argent
 Headlamps: Single rectangular halogen
 Mirrors: Black RH and LH below-eye-line painted. Size is 9.0" x 6.5".
 Spare Tire/Wheel: Full size spare tire and wheel. Spare tire carrier is mounted inside vehicle behind LR wheelhouse
 Tow Hooks: Two front tow hooks on 4-wheel drive models
 Wheels: Four argent painted steel wheels
 Wheel Trim: Black hub caps
 Windshield Wipers: Intermittent windshield wiper system

INTERIOR

Armrest: RH and LH padded integral door armrests
 Cigarette lighter with ashtray light
 Cupholders: Under dash without bucket seats
 Dome Lamp: Two dome lamps with front door actuated switches
 Floor Covering: Embossed full two-piece black vinyl molded mat
 Gages: Including speedometer, odometer, fuel level, voltmeter, oil pressure, engine temperature and trip odometer
 Glass: Tinted, Solar-Ray, all windows
 Headlamp warning buzzer
 Headliner: Full length, color-keyed, cloth headliner with matching retainer moldings and three assist handles (RF, LR, RR)
 Heater: Heavy duty deluxe heater
 Jack: Tools include mechanical jack and wheel wrench stowed inside vehicle over LR wheelhouse
 Lift Glass Release (w/E55 Tailgate Only)
 Mirror: 10" rearview mirror
 Radio: Electronically tuned AM radio with fixed mast antenna
 Scotchgard™ Fabric Protector on cloth trim and door panels
 Seats: Front 3-passenger full bench seat with custom vinyl trim
 Sunshades: Color-keyed RH and LH padded sunshades
 Steering Wheel: 4-spoke steering wheel

MODEL AND BODY

Description	Model No.	Body	Description	Model No.	Body
19720.00 2-Wheel Drive Model	CC10906	ZW9	21920.00 4-Wheel Drive Model	CK10906	ZW9

EMISSIONS (Must Order One)

NA5 Standard Emission Equipment
NA6 High Altitude Emission Requirements
YF5 California Emission Requirements

POWER TEAMS (Must Order Engine, Transmission and Rear Axle)

(Consult GVWR Selector for Minimum Equipment Required)

w/NA5 STANDARD, NA6 HIGH ALTITUDE, OR YF5 CALIFORNIA EMISSION EQUIPMENT

ENGINE	TRANSMISSION	AXLES		GVWR
		3.42	3.73	
C10906	AUTO			
L05 V8 5.7 Liter (350 Cu In) EFI	MX0	GQ1	GT4(a)	6800
K10906				
L05 V8 5.7 Liter (350 Cu In) EFI	MX0	GQ1	GT4(a)	7200

(a) Reqs V02 Cooling & KC4 Eng Oil Cooler

GVWR SELECTOR

	GVW Rating (lbs)	Minimum Equipment Required For GVW Rating		
		(a) GAWR (lbs) Front	Rear	
C10906	6800	3150	3968	None
K10906	7200	3600	4000	None

(a) GAWR's shown are the maximum for each axle with equipment listed. Other GAWR's are available and they are determined as the minimum capacity of either axle, springs or tires.

CAPACITIES

C10906				K10906			
SPRINGS:		AXLES:		SPRINGS:		AXLES:	
Front		Front		Front		Front	
3150	Base			3600	Base	3925	Base
			3400	3925	w/F60		
Rear		Rear		Rear	4000	Rear	4000
4000	Base		4000	Base		Base	

CUSTOM ORDERING OPTIONS

PLEASE REVIEW OPTION RESTRICTIONS BEFORE ORDERING

	INCL w/PEG	OPTION	
N.C. 845.00	2,3	C60	AIR CONDITIONING: Front (Incl w/C69 Front and Rear Air Conditioning) w/PEG N1A2 or N1A3 or Option C69 w/PEG N1A1
450.00 1295.00 191.00		C69	Front and Rear with Dual Controls (Incls C60 Front Air Cond) w/PEG N1A2 or N1A3 w/PEG N1A1
		V22	APPEARANCE PACKAGE: Incls Chrome Grille, Composite Halogen Headlamps and Dual Horns (Reqs Cheyenne Decor)
N.C. 44.00 252.00		GQ1	AXLES, REAR: (Refer Power Teams Chart for Availability) Base
		---	Optional
		G80	Locking Differential
N.C. 198.00 126.00 33.00	1,2,3	ZW9	BODY CODE: Panel Doors
		E55	Tailgate (Lift Glass with Drop Gate and Power Release)
		V54	CARRIER: Luggage Carrier, Roof, Painted Black
		V10	COLD CLIMATE PACKAGE: (Incls Eng Block Heater)
N.C. 383.00	2,3	ZQ2	CONVENIENCE GROUP: Power Door Locks (Including Panel Doors) and Windows for Side Doors (Reqs Silverado Decor)
	2,3	ZQ3	Comfortilt Steering Wheel and Electronic Speed Control w/PEG N1A2 or N1A3 w/PEG N1A1
		KC4	COOLING SYSTEM: Engine Oil (Reqs V02 Cooling) (Incl w/Z82 Trailing) w/Z82
N.C. 135.00		V02	w/o Z82 Heavy Duty Radiator and Transmission Oil Cooler (Incl w/Z82 Trailing) w/Z82
			w/o Z82
N.C. N.C.	1	---	DECOR: (Refer Color/Trim Charts for Availability; Standard Features Page for Package Content) Cheyenne (N/A w/PEGS N1A2 or N1A3)
	2,3	YE9	Silverado (N/A w/PEG N1A1)
N.C. N.C. 100.00 N.C. 305.00 205.00 52.00 N.C.		NA5	EMISSIONS: Federal Emission Equipment
		NA6	High Altitude Requirements
		YF5	California Emission Requirements
		L05	ENGINE: V8 5.7 Liter (350 Cu In) EFI (Refer Power Teams Chart for Availability)
		AJ1	GLASS: Deep Tinted
		C36	HEATER: Auxiliary, Rear Passenger
		U01	LAMPS, ROOF MARKER: Five (N/A YF5 Calif Emissions)
		VK3	LICENSE PLATE BRACKET, Front
N.C. 53.00	3	D48	MIRROR, EXTERIOR: Dual Electric Remote Control, Below-Eye-Line, Painted (Reqs ZQ2 Conv Group and Silverado Decor) w/PEG N1A3 w/PEG N1A2
8.00 53.00 180.00		DF2	Camper Type, Stainless Steel(N/A PEG N1A3) w/PEG N1A2 w/PEG N1A1
		B71	MOLDING: Wheel Flares (K10906 Only) (Reqs LT245 Tires)
N.C. 180.00 290.00 N.C.		ZY1	PAINT, EXTERIOR: (Refer Color/Trim Charts for Availability) Solid
		ZY2	Conventional Two-Tone
		ZY4	Deluxe Two-Tone
		R8T	PRICED ORDER ACKNOWLEDGEMENT
N.C. 170.00		UM7	RADIO EQUIPMENT: (Incls Fixed Mast Antenna) (Electronically Tuned AM Radio Std w/Cheyenne Decor) Electronically Tuned AM/FM Stereo Radio w/Seek-Scan and Digital Clock (Incl w/ Silverado Decor) w/PEG N1A2 w/PEG N1A1
N.C. 122.00 292.00	3	UM6	Electronically Tuned AM/FM Stereo Radio w/Seek-Scan, Stereo Cassette Tape and Digital Clock w/PEG N1A3 w/PEG N1A2 w/PEG N1A1
150.00 272.00 442.00 (-117.00) 85.00		UX1	Electronically Tuned AM Stereo/FM Stereo Radio w/Seek-Scan, Stereo Cassette Tape w/Search and Repeat, Graphic Equalizer and Digital Clock w/PEG N1A3 w/PEG N1A2 w/PEG N1A1
		UL5	Radio Delete (Avail w/PEG N1A1 only)
		U88	Speakers: Premium Speaker System (Reqs Silverado Decor, ZQ2 Conv Group and UX1 Radio)

MODELS PASSENGERS

Suburban (CC20906)	3
Suburban (CK20906)	3

DIMENSIONS

Wheelbase (inches)	131.5
Length (overall-inches)	218.9
Width (overall-inches)	73.6
Payload	
C20906 5.7L V8	3511
K20906 5.7L V8	3101
GVWR	8600
Fuel Tank Capacity	42 Gal.

POWER TEAMS

STANDARD ENGINE

RPO L05 5.7 Liter H.D. V8 Engine with Electronic Fuel Injection (EFI)

STANDARD TRANSMISSION

RPO MX0 4-Speed Automatic w/Overdrive, H.D.

STANDARD REAR AXLE RATIO

C20906	3.73
K20906	4.10

STANDARD EQUIPMENT SUMMARY

EXTERIOR

Brakes: 4-wheel anti-lock
 Bumper: Front and rear chromed bumpers with black rub strip and rear step pad
 Doors: Rear Panel
 Grille: Molded plastic grille and front lamp bezels painted light and dark argent
 Headlamps: Single rectangular halogen
 Mirrors: Black RH and LH below-eye-line . 9.0" x 6.5"
 Spare Tire/Wheel: Full size spare tire and wheel. Spare tire carrier is mounted inside vehicle behind LR wheelhouse
 Tow Hooks: Two front tow hooks on 4-wheel drive models
 Wheels: Four argent painted steel wheels
 Wheel Flares: K20906 models
 Wheel Trim: Black nub caps
 Windshield Wipers: Intermittent

INTERIOR

Armrest: RH and LH padded integral door armrests
 Cigarette lighter with ashtray light
 Cup holders: Under dash without bucket seats
 Dome Lamp: Two dome lamps with front door actuated switches
 Floor Covering: Embossed full two-piece black vinyl molded mat
 Gages: Including speedometer, odometer, fuel level, voltmeter, oil pressure, engine temperature and trip odometer
 Glass: Tinted, Solar-Ray, all windows
 Headlamp warning buzzer
 Headliner: Full length, color-keyed, cloth headliner with matching retainer moldings and three assist handles (RF, LR, RR)
 Heater: Heavy duty deluxe heater
 Jack: Tools include mechanical jack and wheel wrench stowed inside vehicle over LR wheelhouse
 Lift Glass Release (w/E55 Tailgate Only)
 Mirror: 10" rearview mirror
 Radio: Electronically tuned AM radio with fixed mast antenna
 Scotchgard™ Fabric Protector on cloth trim and door panels
 Seats: Front 3-passenger full bench seat with custom vinyl trim.
 Sunshades: Color-keyed RH and LH padded cloth sunshades
 Steering Wheel: 4-spoke steering wheel

MODEL AND BODY

Description	Model No.	Body
20924.60 2-Wheel Drive Model	CC20906	ZW9

Description	Model No.	Body
29124.60 4-Wheel Drive model	CK20906	ZW9

EMISSIONS (Must Order One)

NA5 Standard Emission Equipment
YF5 California Emission Requirements

POWER TEAMS (Must Order Engine, Transmission and Rear Axle)

(Consult GVWR Selector for Minimum Equipment Required)

ENGINE	TRANSMISSION	AXLES		GVWR
		3.73	4.10	
W/NA5 STANDARD EMISSIONS OR YF5 CALIFORNIA EMISSIONS EQUIPMENT				
C20906				
L05 V8 5.7 Liter H.D. (350 Cu In) EFI	MX0	GQ1	GT5	8600
L19 V8 7.4 Liter (454 Cu In) EFI	MX0(a)	GQ1	GT5	8600
K20906				
L05 V8 5.7 Liter H.D. (350 Cu In) EFI	MX0	--	GQ1	8600
L19 V8 7.4 Liter (454 Cu In) EFI	MX0(a)	GQ1	GT5	8600

(a) Reqs V02 Cooling

GVWR SELECTOR

GVW Rating (lbs)	Minimum Equipment Required For GVW Rating		
	(a) GAWR (lbs)		None
	Front	Rear	
C20906	8600	3600	6000
K20906	8600	3750	6000

(a) GAWR's shown are the maximum for each axle with equipment listed. Other GAWR's are available and they are determined as the minimum capacity of either axle, springs or tires.

CAPACITIES

C20906		K20906	
SPRINGS:	AXLES:	SPRINGS:	AXLES:
Front	Front	Front	Front
3600 Base	3800 Base	3750 Base	4250 Base
Rear	Rear	4250 w/F60	Rear
6000 Base	6000 Base	6000 Base	6000 Base

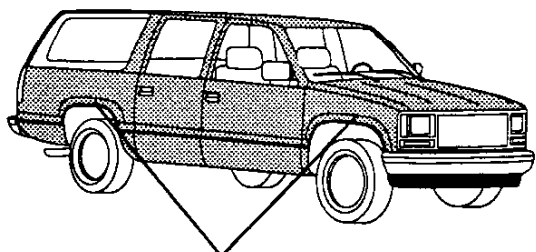
CUSTOM ORDERING OPTIONS

PLEASE REVIEW OPTION RESTRICTIONS BEFORE ORDERING

	INCL w/PEG	OPTION	OPTION
			AIR CONDITIONING:
N.C. 845.00	2.3	C60	Front (Incl w/C69 Front and Rear Air Conditioning) w/PEG N2A2 or N2A3 or C69 w/PEG N2A1
450.00 1295.00 191.00		C69	Front and Rear with Dual Controls (Incls C60 Front Air Cond) w/PEG N2A2 or N2A3 w/PEG N2A1
		V22	APPEARANCE PACKAGE: Incls Chrome Grille, Composite Halogen Headlamps and Dual Horns (Reqs Cheyenne Decor)
N.C. 44.00 252.00		GQ1	AXLES, REAR: (Refer Power Teams Chart for Availability) Base
		---	Optional
		G80	Locking Differential
			BODY CODE:
N.C. 198.00 126.00 33.00	1,2,3	ZW9	Panel Doors
		E55	Tailgate (Lift Glass with Drop Gate and Power Release)
		V54	CARRIER: Luggage Carrier, Roof, Painted Black
		V10	COLD CLIMATE PACKAGE: (Incls Eng Block Heater)
N.C. 383.00	2.3	ZQ2	CONVENIENCE GROUP: Power Door Locks (Including Panel Doors) and Windows for Side Doors (Reqs Silverado Decor)
	2.3	ZQ3	Comfortilt Steering Wheel and Electronic Speed Control w/PEG N2A2 or N2A3 w/PEG N2A1
			COOLING SYSTEM:
N.C. 135.00		KC4	Engine Oil (Reqs V02 Cooling) (Incl w/Z82 Trailing) w/Z82 or L19 w/L05 w/o Z82
N.C. 63.00		V02	Heavy Duty Radiator and Transmission Oil Cooler (Incl w/Z82 Trailing)(Reqs KC4 Eng Oil Cooler) w/Z82 and L05 w/L05 or L19 w/o Z82
N.C. W.A.	1 2.3	---	DECOR: (Refer Color/Trim Charts for Availability; Standard Features Page for Package Content) Cheyenne (N/A w/PEG N2A2 or N2A3)
		YE9	Silverado (N/A w/PEG N2A1)
			EMISSIONS:
N.C. N.C.		NA5	Federal Emission Equipment
		YF5	California Emission Requirements
			ENGINES: (Refer Power Teams Chart)
N.C. 605.00 305.00 205.00 52.00 N.C.		L05	5.7 Liter (350 Cu In) V8 EFI, Heavy Duty
		L19	7.4 Liter (454 Cu In) V8 EFI
		AJ1	GLASS: Deep Tinted
		C38	HEATER: Auxiliary, Rear Passenger
		U01	LAMPS, ROOF MARKER: Five (N/A YF5 Calif Emissions)
		VK3	LICENSE PLATE BRACKET, Front
			MIRROR, EXTERIOR:
N.C. 53.00	3	D48	Dual Electric Remote Control, Below-Eye-Line, Painted (Reqs ZQ2 Conv Group and Silverado Decor) w/PEG N2A3 w/PEG N2A2
8.00 53.00		DF2	Camper Type, Stainless Steel (Reqs PEG N2A1 or N2A2) w/PEG N2A2 w/PEG N2A1
N.C. 180.00 290.00 N.C.		ZY1	PAINT, EXTERIOR: (Refer Color/Trim Charts for Availability) Solid
		ZY2	Conventional Two-Tone
		ZY4	Deluxe Two-Tone
		R8T	PRICED ORDER ACKNOWLEDGEMENT
			RADIO EQUIPMENT: (Incls Fixed Mast Antenna) (Electronically Tuned AM Radio Std w/Cheyenne Decor)
N.C. 170.00		UM 7	Electronically Tuned AM/FM Stereo Radio w/Seek-Scan and Digital Clock (Incl w/Silverado Decor) w/PEG N2A2 w/PEG N2A1
N.C. 122.00 292.00	3	UM6	Electronically Tuned AM/FM Stereo Radio w/Seek-Scan, Stereo Cassette Tape and Digital Clock w/PEG N2A3 w/PEG N2A2 w/PEG N2A1
150.00 272.00 442.00 (-117.00) 85.00		UX1	Electronically Tuned AM Stereo/FM Stereo Radio w/Seek-Scan, Stereo Cassette Tape w/Search and Repeat, Graphic Equalizer and Digital Clock w/PEG N2A3 w/PEG N2A2 w/PEG N2A1
		UL5	Radio Delete (Avail w/PEG N2A1 Only)
		U88	Speakers: Premium Speaker System (Reqs YE9 Silverado, ZQ2 Conv Group and UX1 Radio)

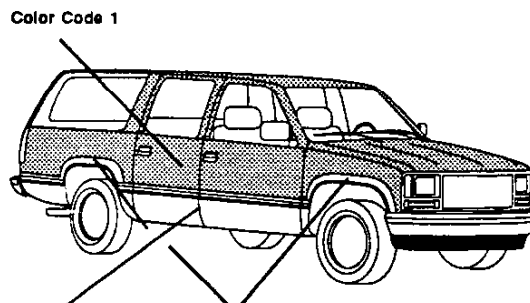
C/K 1500 AND C/K 2500 SUBURBAN
PAINT APPLICATIONS WITH ZY1, ZY2 AND ZY4 PAINT

SOLID PAINT - ZY1



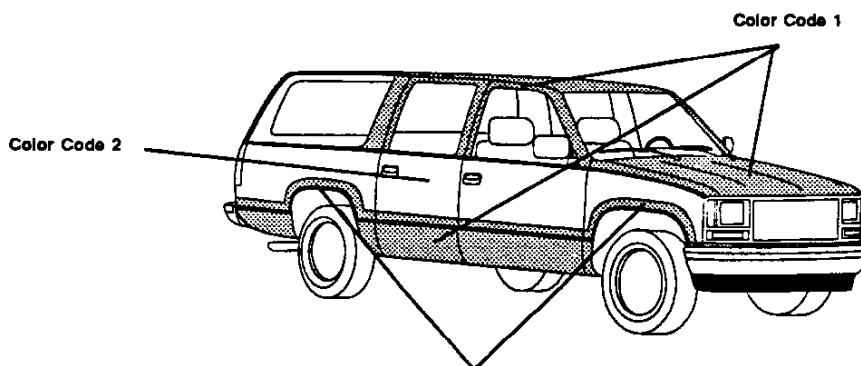
Wheel Flares

CONVENTIONAL TWO-TONE PAINT - ZY2



Color Code 2 **Wheel Flares**

DELUXE TWO-TONE PAINT - ZY4



Wheel Flares

C/K 1500 AND C/K 2500 SUBURBAN INTERIOR AND EXTERIOR COLOR AVAILABILITY CHART WITH ZY4

PLEASE NOTE: Below are the interior trim color and exterior paint combinations recommended by Chevrolet. They are the only available interior and exterior combinations allowed.

TRIM LEVEL Seat Type	Decor	INTERIOR COLORS			
		Beige	Blue	Garnet	Gray
CHEYENNE Vinyl Bench Seat	Sid	VUU1	VDD1	VRR1	VQQ1
SILVERADO Custom Cloth Bench Seat	YE9	LUU1	LDD1	LRR1	LQQ1
Custom Cloth Reclining Split Bench Seat		LUU3	LDD3	LRR3	LQQ3
Custom Cloth Reclining High Back Bucket Seats (Incls Roof/Floor Console)		LUU6	LDD6	LRR6	LQQ6

*AU06 =
Leather Reclining
High Back Bucket
Seats.*

EXTERIOR COLORS w/ZY4 Paint	Color Code 1	Color Code 2	INTERIOR & EXTERIOR COMBINATIONS SHOWN ARE THE ONLY COMBINATIONS AVAILABLE				STRIPE COLORS
BEIGE,SAND(Metallic)/Black, Onyx	57	41	x				Gold/Black
BEIGE,SAND(Metallic)/Blue,Indigo(Met)	57	39	x				Gold/Black
BEIGE,SAND(Metallic)/Blue,Teal(Metallic)	57	36	x				Gold/Black
BEIGE,SAND(Metallic)/Red Burnt	57	76	x				Gold/Black
BLACK,ONYX/Beige, Sand (Metallic)	41	57	x				Gold/Black
BLACK,ONYX/Quicksilver (Metallic)	41	96			x	x	Gunmetal/Silver
BLACK,ONYX/Red, Victory	41	74			x	x	Silver/Red
* BLUE,INDIGO(Metallic)/Beige, Sand (Met)	39	57	x	x			Gold/Black
* BLUE,INDIGO(Metallic)/Blue Smoke(Met)	39	27		x		x	Blue/Silver
* BLUE,INDIGO(Metallic)/Quicksilver (Met)	39	96		x		x	Blue/Silver
* BLUE,SMOKE/Blue,Indigo(Metallic)	27	39		x		x	Blue/Silver
* BLUE,SMOKE(Metallic)/Quicksilver(Metallic)	27	96		x		x	Blue/Silver
* BLUE,TEAL(Metallic)/Beige,Sand (Metallic)	36	57	x				Gold/Black
* BLUE,TEAL(Metallic)/Quicksilver (Metallic)	36	96				x	Teal/Silver
QUICKSILVER(Metallic)/Black, Onyx	96	41			x	x	Gunmetal/Silver
QUICKSILVER(Metallic)/Blue,Smoke(Metallic)	96	27		x		x	Blue/Silver
QUICKSILVER(Metallic)/Indigo,Blue	96	39		x		x	Blue/Silver
QUICKSILVER(Metallic)/Blue,Teal(Metallic)	96	36				x	Teal/Silver
QUICKSILVER(Metallic)/Red, Burnt (Metallic)	96	76			x	x	Gunmetal/Silver
QUICKSILVER(Metallic)/Red, Victory	96	74			x	x	Black/Silver
QUICKSILVER(Metallic)/Slate (Metallic)	96	97			x	x	Red/Silver
RED,BURNT(Metallic)/Beige, Sand (Metallic)	76	57	x		x		Gold/Black
RED,BURNT(Metallic)/Quicksilver (Metallic)	76	96			x	x	Gunmetal/Silver
* RED,VICTORY/Black, Onyx	74	41			x	x	Silver/Red
* RED,VICTORY/Quicksilver (Metallic)	74	96			x	x	Black/Silver
* RED,VICTORY/White,Summit	74	50			x	x	Black/Silver
* SLATE(Metallic)/Quicksilver	97	96			x	x	Red/Silver
* SLATE(Metallic)/Red, Victory	97	74			x	x	Silver/Red
* WHITE,SUMMIT/Blue,Indigo(Met)	50	39		x			Blue/Silver
* WHITE,SUMMIT/Red,Victory	50	74			x		Black/Silver
* WHITE,SUMMIT/Slate (Metallic)	50	97				x	Silver/Red

* N/A K1500 w/B71 Wheel Flare or on K2500 Models.

NOTE: W/B71, Wheel Flare Color Matches Color Code 1 Where Applicable.

**YF7 UPFITTER PACKAGE
C/K SUBURBAN**

YF7 UPFITTER PACKAGE Includes C60 Air Conditioning, ZQ2 Convenience Package, ZQ3 Convenience Package, UM6 AM/FM Stereo Radio/Cassette Tape with Seek-Scan and Clock, AJ1 Deep Tinted Glass.

NO DELETIONS ALLOWED. Additional Options/Upgrades (Where Indicated)
May Be Ordered From The Additional Option Listing Below and
Custom Ordering Options in the Suburban Order Guide Section

		R V A 1
Upfitter Preferred Equipment Group 1		
Upfitter Package	YF7	x
Body, Standard (May Substitute E55 Tailgate)	ZW9	x
Decor, Silverado	YE9	x
Remote-Electric Outside Rearview Mirrors	D48	x

ADDITIONAL CUSTOM ORDERING OPTIONS

N.C.	VK5	Front Seat Delete
(-637.00)	ATZ	Front and Second (Middle) Seats Delete (Reqs VK5)
1095.00	AS3	Far Rear Seat (MUST Be Ordered If Desired)

Refer C/K 1500 and C/K 2500 Suburban Order Guide Sections for Additional Options,
Power Teams and Tire Availability, and Color/Trim Selections.

RVA1 w/ZW9		RVA1 w/E55	
*4925.00	w/L**6 w/o AS3	*4861.00	w/L**6 w/o AS3
*4977.00	w/L**6 w/AS3	*4913.00	w/L**6 w/AS3
*4462.00	w/VK5 w/AS3	*4398.00	w/VK5 & AS3
*4410.00	w/VK5 w/o AS3	*4346.00	w/VK5 w/o AS3
*4602.00	w/AS3 w/o L**6	*4538.00	w/AS3 w/o L**6
*4550.00	w/o L**6 w/o AS3	*4486.00	w/o L**6 w/o AS3

*The Preferred Equipment Group MSRPs reflect the Basic Group Equipment Prices. For any Option Additions,
Upgrades or Substitutions, Refer to the Vehicle Price Schedule for any Price Differential.

**NOTE: FOR INFORMATION PURPOSES ONLY
YF7 UPFITTER PACKAGE AVAILABLE FOR ORDERING THROUGH
AUTHORIZED C.Q.A.C.P. MANUFACTURERS ONLY**

REVISED: 1-22-93

C/K SUBURBAN

Page 1

Prices Shown Are Manufacturer's Suggested Retail Prices (MSRP) At The Time Of Publication. These Prices Are To Be Used Only As An Aid To Inventory Management Since MSRP Figures Change Periodically. The Vehicle Price Schedule Is The Official Pricing Documentation Of Chevrolet Motor Division And Should Be Used In Discussing Vehicle Prices With Potential Buyers. The Model Prices Shown In The Order Guide Include The Destination Freight Charges.

POWERTRAINS (CONT.)

AXLES										
Availability	REAR AXLE						FRONT AXLE (4X4)			
	C/K 1500		C/K 2500		C/K 2500		K1500		K2500	
Make	GM		GM		GM		GM		GM	
Capacity (lbs.)	Semi-Floating 3968		Semi-Floating 6000		Full-Floating 6000		3925		4250	
Pinion and Ring Gear Type	Hypoid		Hypoid		Hypoid		Hypoid		Hypoid	
Engine Availability (Order Code)	5.7L V8 (L05)		5.7L V8 (L05)		7.4L V8 (L19) HD		5.7L V8 (L05)		5.7L V8 (L05)/ 7.4L V8 (L19)	
Axle Ratio Code	GU6	GT4	GT4	GT5	GT4	GT5	GU6	GT4	GT4	GT5
Ratio	3.42	3.73	3.73	4.10	3.73	4.10	3.42	3.73	3.73	4.10
Pinion Teeth	12	11	11	10	11	10	12	11	11	10
Ring Gear Teeth	41	41	41	41	41	41	41	41	41	41
Ring Gear Diameter (in.)	8.5	8.5	9.5	9.5	10.5	10.5	8.5	8.5	9.5/10.5*	9.5/10.5*

Note: Axle Ratio availability depends on model, powertrain and emissions selected. See your 1993 Chevrolet Truck Order Guide for details.
* With 7.4L V8 (L19)

TRIM LEVELS

Chevrolet offers Suburban in two trim levels: "Cheyenne" and "Silverado." The following chart details major standard features. See your 1993 Chevrolet Truck Order Guide for details.

CHASSIS EQUIPMENT		CHEYENNE STD., ZW9	SILVERADO YE9
KEY: ■ = STANDARD, — = NOT INCLUDED			
BRAKES	Power Assisted; front disc, rear drum four-wheel antilock.	■	■
EXHAUST	Single.	■	■
FRAME	All-welded ladder-type, channel design and boxed front-end section. Section Modulus: C1500: 2.74 cu. in. C2500: 4.11 cu. in. K1500, K2500: 4.15 cu. in.	■	■
FUEL TANK	42.0 Gallon (approx.) capacity.	■	■
REAR AXLE	W/5.7L V8 (L05): Semi-Floating; w/7.4L V8 (L19): Full-Floating.	■	■
SHOCK ABSORBERS	Front: 32 mm. Rear 32 mm.	■	■
STABILIZER BAR, FRONT	4x2: 1.25-inch, 4x4 1.18-inch.	■	■
STABILIZER BAR, REAR	0.87 inch.	■	■
STEERING	Integral Power.	■	■
SUSPENSION, FRONT	4x2: Independent w/coil springs 4x4: Independent w/torsion bars.	■	■
SUSPENSION, REAR	Semi-elliptic two-stage multi-leaf springs.	■	■
TOW HOOKS	Two front (4x4 only).	■	■

EXTERIOR EQUIPMENT			
BUMPER, FRONT	Chromed with black rub strip. Chromed with bumper guards and black rub strip with bright trim.	■	—
BUMPER, REAR	Chromed with black rub strip and step pad.	■	■
DOORS, REAR	Panel-type.	■	■
GLASS	Solar-ray light tinted plus upper shade on windshield.	■	■
GRILLE	Light argent molded plastic w/dark argent air intake areas. Molded plastic grille and front lamp bezels painted argent with chrome trim.	■	—
HEADLAMPS	Single rectangular halogen. Composite halogen.	■	—
HORN	Dual low- and high-note.	■	■
INSULATION	Hood and cab-to-fender.	—	■
LAMP	Under hood, reel-type, removable.	—	■
MIRRORS	RH and LH below-eye-line type painted black with adjustable heads. Head size 9.0" x 6.5" RH and LH below-eye-line type chrome with adjustable heads. Head size 9.0" x 6.5"	■	—
MOLDINGS	Body side and wheel opening, black. Body side, black with bright strip, and bright wheel opening. K2500 only: Wheel opening flare, front and rear.	■	—
TIRES	Five, all-season steel-belted radial blackwall. Size varies by model. C 10906: P235/75R15XLS K 10906: LT225/75R16D C 20906: LT245/75R16E K 20906: LT245/75R16E	■	■
WHEELS	C1500: Argent painted 15.0" x 7.0" steel wheels with black hub ornament. C1500: Argent painted 15.0" x 7.0" steel wheels with bright wheel covers. K1500/C2500/K2500: Argent painted 16.0" x 6.5" steel wheels with black hub ornament. K1500/C2500/K2500: Argent painted 16.0" x 6.5" steel wheels with black plastic hub.	■	—

INTERIOR EQUIPMENT			
ARMRESTS	RH and LH padded integral with door panels.	■	■
ASSIST HANDLES	RF, LR, RR.	■	■
BUZZER, HEADLAMP WARNING		■	■

SUBURBAN

INTERIOR EQUIPMENT (CONT.)

KEY: ■ = STANDARD, — = NOT INCLUDED		CHEYENNE STD., ZW9	SILVERADO YE9
CIGARETTE LIGHTER	Located on instrument panel inside ashtray bin.	■	■
CUP HOLDER	Two located on instrument panel with bench seat.	■	■
DOOR PANELS	Color-keyed molded plastic. Door trim with cloth inserts and carpet trim. Front door trim panels also have map pockets and door closing assist straps. Coordinated rear door/tailgate and rear sidewall trim panels are included.	■	—
DOOR PANEL AND ROOF SIDE PANELS	Color-keyed.	■	■
DOOR SILL PLATE	Color-keyed.	■	■
FLOOR COVERING	Black embossed vinyl mat. Color-keyed carpeting with removable color-keyed, vinyl front and rear floor mats.	■	—
GAGES	Including speedometer, odometer, trip odometer, fuel level, voltmeter, engine temperature, oil pressure gages and additional taillight lights.	■	■
GLOVE BOX	Latched door and beverage holder. Light.	■	■
HEADLINER	Full length, color-keyed cloth with matching retainer moldings.	■	■
HEATER	Heavy duty.	■	■
INSULATION	Provided on dash panel, cowl top and sides, headliner and doors. Extra thick on body side trim panels and under instrument panel at center.	■	■
LIGHTING, INTERIOR	Front and rear dome lamps with switches in RH and LH door jambs. All door-activated dome lamps, front and rear map lights, glove box light and ashtray light.	■	—
MIRRORS	10-inch rearview.	■	■
RADIO	ETR AM radio with two 4" x 6" standard front dash speakers and fixed mast antenna. ETR AM/FM stereo w/seek-scan, digital clock and two front and two rear speakers.	■	—
SEAT, FRONT	3-passenger bench.	■	■
SEAT, MIDDLE	3-passenger, 60/40 folding bench.	—	■
SPARE TIRE CARRIER	Located inside vehicle behind left rear wheel house.	■	■
SPARE TIRE, WHEELS	Full-size, match other wheels and tires standard or optional.	■	■
STEERING WHEEL	Custom urethane 4-spoke. 4-spoke with simulated stitched leather appearance.	■	—
SUNSHADES	Color-keyed vinyl RH and LH padded. Color-keyed RH and LH padded with cloth covering, extenders and illuminated visor mirrors. LH sunshade has storage strap.	■	—
WINDSHIELD WIPERS	Intermittent.	■	■

PREFERRED EQUIPMENT GROUPS

Preferred Equipment Groups (PEGs) are convenient option packages that can save your customers money. They would pay appreciably more by buying all the options in a Preferred Equipment Group as individual options. (Savings based on a comparison of Manufacturer's Suggested Retail Price of option packages versus MSRP of individual options purchased separately). See your 1993 Chevrolet Truck Order Guide and Vehicle Price Schedule for specific information and prices.

OPTIONS

These options can be ordered individually in addition to the Preferred Equipment Groups if not already included. See your 1993 Chevrolet Truck Order Guide for specific availability and restrictions. The Option Code is listed in **bold**.

Air Conditioning (front only)	C60	Defogger, Electric Rear Window (available with panel doors ZW9 only)	C49	Paint, Exterior:	
Air Conditioning (front and rear)	C69	Emissions:		Solid	ZY1
Appearance Package (included with Silverado Trim)	V22	Federal	NA5	Conventional Two-Tone	ZY2
Axles, Rear (see Order Guide for GQ1):		High Altitude	NA6	Deluxe Two-Tone	ZY4
3.42	GU8	California	YF5	Radio Delete	UL5
3.73	GT4	Engines (see Powertrains)		ETR AM/FM Stereo Radio w/Seek-Scan/Digital Clock and Four Speakers	UM7
4.10	GT5	Glass, Deep Tinted	AJ1	ETR AM/FM Stereo Radio w/Seek-Scan, Stereo Cassette/Digital Clock and Four Speakers	UM6
Axle, Rear Locking Differential	G80	GVWR (non-merchandise codes for information only):		ETR AM/FM Stereo Radio w/Seek-Scan/Cassette w/Search/Repeat, Graphic Equalizer/Digital Clock and Four Speakers	UX1
Body, Tailgate (drop gate tailgate with lift glass and electric tailgate release)	E55	6800-Lbs.	C6U	Speakers, Premium (six speakers, requires UX1 radio, Silverado trim and Convenience Package ZQ2)	UB8
Cold Climate Package (includes Engine Block Heater, anti-freeze protection to -32° F and special insulation)	V10	7200-Lbs.	C52	Seat Adjuster, Power (driver's side only)	AG9
Cooling: Engine Oil Cooler	KC4	8600-Lbs.	C6P	Seat, Option center and/or rear seat not desired	YG4
Cooling: Heavy-Duty Radiator and Transmission Oil Cooler	V02	Heater, Auxiliary Rear	C36	Seat, 3-passenger 60/40 folding center bench	AT5
Convenience Package, Operating (includes Power Door Locks including panel doors and Power Windows for side doors, Reqs. Silverado Decor)	ZQ2	Lamps, Roof Marker (N/A YF5)	U01	Seat, 3-passenger removable rear bench (includes AT5 Seat)	AS3
Convenience Package, Driver's (includes Comfortilt™ Steering and Electronic Speed Control)	ZQ3	License Plate Bracket, Front	VK3		
		Luggage Rack, Roof, Black	V54		
		Mirrors, Exterior Electric Below-Eye-Line, Black (Mirror head: 6.5" x 9")	D48		
		Mirrors, Exterior Camper Type (LH and RH stainless steel. Mirror head 7.5" x 10.5")	DF2		
		Moldings, Wheel Opening Flare (K1500 4x4 only, front and rear, requires LT245 tires, standard on K2500)	B71		

SUBURBAN

DIMENSIONS (CONT.)

MODEL	C/K 1500 SUBURBAN	C/K2500 SUBURBAN
MODEL NUMBER	CC10906 CK10906	CC20906 CK20906
INTERIOR DIMENSIONS		
Headroom (in.) Front/Middle/Rear	40.0/39.3/38.2	40.0/39.3/38.2
Legroom (in.) Front/Middle/Rear	41.8/36.6/35.2	41.8/36.6/35.2
Shoulder Room (in.) Front/Middle/Rear	66.0/66.1/66.0	66.0/66.1/66.0
Hip Room (in.) Front/Middle/Rear	60.5/59.6/48.3	60.5/59.6/48.3
Cargo Volume (cu. ft.) w/ Front Seat	149.5	149.5
w/ Front, Middle Seat	101.3	101.3
w/ Front Middle, Rear Seats	49.5	49.5
Load Floor Length (in.) w/ Front Seat	98.3	98.3
w/ Front, Middle Seat	65.7	65.7
w/ Front Middle, Rear Seats	32.4	32.4
Interior Width at Floor (in.)	64.0	64.0
Interior Width at Wheelhousing (in.)	48.5	48.5