

1996 TAHOE

2
8



GENUINE CHEVROLET



CHEVROLET



FOR RELEASE Immediately

CONTACT: Chevrolet/Geo Communications
(800) CHEVY-MI or
(810) 492-8841
Fax: (810) 492-8853

#11564 - 3/29/96

CHEVROLET TO PRODUCE FIRST FULL-SIZE SPORT UTILITY PURSUIT VEHICLE FOR POLICE USE

Vortec V8 Tahoe Concepts Proved Popular With Police

WARREN, Mich. -- Chevrolet will begin making the first full-size, sport utility pursuit vehicle designed specifically for law enforcement and by law enforcement agencies -- the Vortec V8 Tahoe -- next year.

"After we showed concept Tahoe police vehicles at the Detroit and Los Angeles auto shows earlier this year, the phone rang off the hook," said John G. Middlebrook, who will replace the retiring J. C. (Jim) Perkins as Chevrolet General Manager, May 1.

"The old saying is true -- 'If you make it, they will come,'" he said. "We got calls from Federal agencies, state police and municipal police departments scattered across the country, and could have taken orders for thousands of police Tahoes. Many callers cited their satisfaction with the Chevrolet Caprice, and their continuing need for a full-size vehicle after Caprice production ends, so we decided we'd better make the concept a reality."

And that reality starts in late 1996 as Chevrolet begins taking orders for the Chevrolet Vortec V8 Tahoe Police Package, scheduled for production during the summer of 1997.

Tahoe is a full-size, four-door, two-wheel-drive sport utility vehicle that offers the superior, roomy, full-frame ruggedness that many law enforcement agencies want, plus the V8 power that they need. Chevrolet's new Vortec 5700 V8 with sequential fuel injection generates 250 horsepower, ideal for high-speed pursuit.

- more -



"The Tahoe Police Package continues Chevrolet's tradition of commitment to law enforcement agencies," said Middlebrook. "We take that commitment seriously, so we tested the concept Tahoe with police agencies to get their technical input and to gauge their interest before making our announcement today."

Police departments, such as the Michigan State Police and Los Angeles County Sheriffs Department, were impressed with Chevrolet's attention to detail. The Tahoe Police Package is available with all the police options previously available on the Caprice, plus new options, including power driver lumbar support and dual 770 CCA batteries. The following equipment also specifically addresses police agency needs:

- Air conditioning wide open throttle cut-off
- Air conditioning head pressure relief switch
- Alternator -- 140 amp
- Axle -- 4.10 ratio
- Battery -- 770 CCA
- Bonding straps -- Additional for radio suppression
- Brakes -- Heavy duty
- Fuel pump with RFI filter
- Grille -- Argent colored
- Headlamps -- Rectangular seal beam halogen
- Locking differential
- Oil cooler -- engine & transmission
- Spare -- Full size
- Speedometer -- Certified 130 mph with gages
- Suspension -- Heavy duty
- Tires -- P235/70R15 "V" Speed Rated
- Wheels -- 15" x 7" black steel with center cap
- Wiring provision -- 12-volt power supply

The package supplements the Vortec V8 Tahoe's rugged standard content, and also includes a special police chassis and police front end appearance.

The price will be announced closer to the start of production, but will reflect Chevrolet's tradition of value. The Chevrolet Vortec V8 Tahoe Police Package is sure to provide governments -- at all levels -- and their taxpayers with a long-lasting return on their investments in terms of utility and resale value.

Tahoe is a very rugged vehicle by its nature because it is a sport utility vehicle. It is designed to perform in more demanding situations than passenger cars, so presumably Tahoe would reduce operating costs due to less downtime for repair and maintenance.

#



CHEVROLET VORTEC V8 TAHOE POLICE PACKAGE SPECIFICATIONS

GENERAL

MODEL	4-Door/2 Wheel-Drive
DRIVE	Rear-Wheel Drive
FRAME	Full Perimeter Steel
AIR BAGS	Driver and Passenger

EXTERIOR

WHEELBASE	117.5"
OVERALL LENGTH	199.6"
OVERALL WIDTH	76.8"
OVERALL HEIGHT	69.6"
TREAD FRONT	63.1"
TREAD REAR	64.6"
TURNING DIAMETER CURB TO CURB	39'.8"

FRONT COMPARTMENT

HEAD ROOM	39.9"
SHOULDER ROOM	65.0"
HIP ROOM	59.6"
LEG ROOM (MAXIMUM)	41.7"

REAR COMPARTMENT

HEAD ROOM	38.9"
SHOULDER ROOM	65.0"
HIP ROOM	59.6"
LEG ROOM (MINIMUM)	36.7"

CARGO CAPACITY

BEHIND 2ND SEAT (CU. FT.)	70.3
---------------------------	------

EPA FUEL ECONOMY RATING

CITY/HIGHWAY	N/A
--------------	-----

NOTE: FUEL ECONOMY CAN VARY WITH EQUIPMENT AND DRIVING HABITS

ALTERNATOR

TYPE	Delco CS-144
AMPS	140
AMPS @ IDLE	N/A

BATTERY

TYPE	Delco Freedom
VOLTS	12
AMP HOUR RATING	69
COLD CRANKING AMPS	770
RESERVE CAPACITY	115

ENGINE

TYPE	VORTEC V8
DISPLACEMENT: LITERS (CU. IN.)	5.7 (350)
HORSEPOWER @ RPM	250 @ 4600
TORQUE @ RPM	335 @ 2800
INDUCTION SYSTEM	SFI
COMPRESSION RATIO	9.4:1
EXHAUST	Single
MINIMUM RECOMMENDED FUEL OCTANE	87
FUEL TANK CAPACITY (GALLONS)	30

TRANSMISSION

AUTOMATIC WITH OVERDRIVE	4-Speed
--------------------------	---------

AXLE

RATIO WITH LIMITED SLIP	4.10
-------------------------	------

BRAKES

ABS, VACUUM POWER	Disc/Drum
FRONT: SIZE/SWEPT AREA (SQ. IN.)	11.57" x 1.25"/203.0
REAR: SIZE/SWEPT AREA (SQ. IN.)	11.15" x 2.75"/192.7
TOTAL: FRONT & REAR SWEPT AREA (SQ. IN.)	395.7

TIRES

TYPE	SBR, All Season 'V' Rated
SIZE	P235/70R15

WHEELS

TYPE (WITH BOLT ON CENTER CAP)	Steel
SIZE	15 x 7

SUSPENSION

FRONT	Coil Spring with Stabilizer Bar and Tuned Shocks
REAR	Semi-Elliptic, 2 Stage Multi-Leaf Springs, Stabilizer Bar and Tuned Shocks

STEERING

TYPE	Variable Ratio, Integral Power
RATIO (CENTER/STOP)	16.5:1/15.6:1

|

TAHOE INTRODUCTION

TAHOE

The 1996 Tahoe is available in three trim levels: "Standard" and a choice of two uplevel trims; "LS" and "LT."

Changes on the Tahoe for 1996 include:

- New Two-Wheel-Drive, Two-Door Model at 6100 GVWR (C10516)
 - Optional Electric Shift Transfer Case (NP1)
 - Optional Running Boards (BVE)
 - New Front Bench Seat Armrest Stowage Compartment with bench seats on uplevel trim YE9 LS/LT. Includes a coin holder, a map net and a writing board
 - Vortec 5700 V8 Engine (L31). Replaces 5.7L (L05) and includes sequential fuel injection, higher horsepower and torque ratings and spark plugs with 100,000-mile expected life
 - Standard On Board Diagnostics (OBD II)
 - 4-speed 4L60-E Automatic Transmission Enhancements (M30)
 - 4-speed 4L80-E Automatic Transmission Enhancements (MT1)
 - New P-Metric Tires now available on K1500 models
 - Two Auxiliary Power Outlets with spring-loaded doors
 - Standard Daytime Running Lamps
 - Standard Illuminated Entry
 - Standard DEX-COOL™ Extended-Life Engine Coolant. Coolant color is fluorescent orange and the change interval is now 5 years/100,000 miles
 - Standard Rear Seat Heat Ducts
 - One new Interior Color
 - Two new Exterior Colors
 - New Underhood Storage Compartment
-



TAHOE

MODEL SELECTION SUMMARY

Use the chart below to choose the model that fits your customer's needs. Please note that the Base Payloads shown reflect the maximum allowable weight of cargo that can be carried in a standard model, including occupants. (They are calculated by subtracting curb weight from GVWR.) To calculate payloads for models with optional equipment, please refer to the WEIGHTS section in the back of this book or consult your 1996 GM PROSPEC. Also, the Maximum Trailer Weights shown below are based on vehicles that are properly equipped. See your Chevrolet Truck Order Guide for specific details.

SERIES	MODEL NUMBER/ BODY CODE/ OPTION CODE	PASSENGER CAPACITY (STD./OPT.)	STANDARD ENGINE/ TRANS.	OPTIONAL ENGINE/ TRANS.	GVWR (LB)	GAWR (LB) FRONT/ REAR	BASE PAYLOAD (LB)	MAXIMUM TRAILER WT./ TONGUE LOAD (LB) PROPERLY EQUIPPED
TWO-WHEEL-DRIVE MODELS								
2-DOOR TAHOE	CC10516/ZW9/E55	5/6	5700 V8/A4	—	6100	3200/3686	1645	6000/750
4-DOOR TAHOE	CC10706/ZW9/E55	6/5	5700 V8/A4	—	6300	3200/3686	1575	7000/850
FOUR-WHEEL-DRIVE MODELS								
2-DOOR TAHOE	CK10516/ZW9/ E55	5/6	5700 V8/A4	—	6250	3925/3750	1392	6500/800
2-DOOR TAHOE	CK10516/ZW9/ E55	5/6	6.5L V8 ¹ /A4	—	6450	3925/3750	1174	7000/850
4-DOOR TAHOE	CK10706/ZW9/E55	6/5	5700 V8/A4	—	6800	3600/3750	1651	6500/800

¹Turbo (L56)

²W/A - Will Advise. Please refer to Weights in the back of your Tech Guide for optional payloads.

POWERTRAINS

Chevrolet offers a variety of engines, transmissions and axle ratios for the Tahoe. The following charts detail basic engine, transmission and axle specifications. See your 1996 Chevrolet Truck Order Guide for specific details.

ENGINES		
	VORTEC 5700 V8	6.5L V8 TURBO DIESEL
Engine Order Code	L31	L56
SAE Net Horsepower @ rpm	255 @ 4600	180 @ 3400
SAE Net Torque lb-ft @ rpm	330 @ 2800	360 @ 1800
Fuel System	SFI	Indirect Fuel Injection
Standard Battery Cold Cranking Amps @ 0° F	600	2 @ 600 each
Standard Alternator Max. Cap. (Amps)	100	100

TRANSMISSIONS		
	ELECTRONIC AUTOMATIC 4-SPEED WITH OVERDRIVE AND TORQUE CONVERTER CLUTCH (4L60-E)	ELECTRONICALLY CONTROLLED AUTOMATIC 4-SPEED W/OVERDRIVE TORQUE CONVERTER CLUTCH HD (4L80-E)
Transmission Order Code	M30	MT1
Engine Application (Order Code)	5700 V8 (L31)	6.5L V8 Turbo Diesel (L56)
Gear Ratios		
First	3.06	2.48
Second	1.63	1.48
Third	1.00	1.00
Fourth	0.70	0.75
Fifth	—	—
Reverse	2.29	2.08



AXLES						
	REAR AXLE			FRONT AXLE (4X4 ONLY)		
Make	American Axle					
Capacity (lb)	3750			3925		
Pinion and Ring Gear Type	Hypoid			Hypoid		
Axle Ratio Code	GU4	GU6	GT4	GU6	GT4	
Ratio	3.08	3.42	3.73	3.42	3.73	
Pinion Teeth	13	12	11	12	11	
Ring Gear Teeth	40	41	41	41	41	
Ring Gear Diameter (in.)	8.6	8.6	8.6	8.6	8.6	

Note: Axle Ratio availability depends on model, powertrain and emissions selected.

TRIM LEVELS

Chevrolet offers 2-door Tahoe in three trim levels: "Standard," and a choice of two uplevel trims; "LS" and "LT." The 4-door Tahoe models are available in LS/LT only. The following chart details major standard features. See your 1996 Chevrolet Truck Order Guide for details.

CHASSIS EQUIPMENT			
KEY: ■ = STANDARD, — = NOT INCLUDED		STANDARD	LS/LT (YE9)
BRAKES	Power-assisted; front disc, rear drum with four-wheel anti-lock system. Includes brake/transmission shift interlock.	■	■
EXHAUST	Single. Aluminized stainless steel.	■	■
FRAME	All-welded ladder-type, channel design and boxed front-end section. Section Modulus: 4.29 cu in.	■	■
FUEL TANK	30.0 gallon (approx.) capacity.	■	■
REAR AXLE	Hypoid semi-floating.	■	■
SHOCK ABSORBERS	32mm - 2-door model; front and rear. 36mm - 4-door model; front and rear.	■	■
STABILIZER BAR, FRONT	1.18 inch on K10516 and K10706. 1.26 inch on C10706 and C10516.	■	■
STABILIZER BAR, REAR	.87 inch (K10706 only).	—	■
STEERING	Integral power.	■	■
SUSPENSION, FRONT	2WD: Independent with coil springs. 4WD: Independent with torsion bars.	■	■
SUSPENSION, REAR	Semi-elliptic two-stage multileaf springs.	■	■
TOW HOOKS	Two front-mounted on 4x4 only.	■	■

EXTERIOR EQUIPMENT			
AIR DAM	Dark argent.	■	■
BUMPER, FRONT	Bright appearance with black rub strip and bright trim.	■	■
BUMPER, REAR	Bright appearance with black rub strip and step pad.	■	■
DOORS, REAR	Panel type.	■	■
GLASS	Tinted Solar-Ray® Deep-tint glass included.	■	■
GRILLE	Molded plastic painted argent with argent air-intake areas. Deluxe front appearance package with bright grille and trim, with bright air-intake areas.	■	—
HEADLAMPS	Single rectangular halogen. Composite halogen.	■	—
HORN	Single electric note. Dual low- and high-note.	■	—
INSULATION	Hood and cab-to-fender.	—	■
LAMPS	Center high-mounted stop lamp. Underhood, reel-type, removable.	■	■
LUGGAGE CARRIER	Black, roof mounted.	—	■
MIRRORS	RH and LH below-eye-line type, painted black with adjustable heads. Head size 8.5" x 5.0". RH and LH electric below-eye-line, outside rearview, black. Headsize 8.5" x 5.0".	■	—
MOLDINGS	Black bodyside with bright trim and bright wheel opening.	■	■
RUNNING LAMPS	Daytime.	■	■
STORAGE COMPARTMENT	Additional underhood stowage compartment. (Except when Turbo Diesel engine or TP2 auxiliary battery is ordered.)	■	■
TIRES	Five, steel-belted radial blackwall. Size and type varies by model. C10516: P235/75R15 K10516: P245/75R16 C10706: P235/75R15 K10706: P245/75R16	■	■



TAHOE

EXTERIOR EQUIPMENT (CONT.)

KEY: ■ = STANDARD, — = NOT INCLUDED		STANDARD	LS/LT (YES)
WHEELS	C10516: Five, silver painted 15.0" x 7.0" steel wheels with black hub ornament. C10516: Four, aluminum 15.0" x 7.0" wheels with steel spare wheel. K10516: Five, silver painted 16.0" x 6.5" steel wheels with black hub ornament. K10516: Four, cast aluminum 16.0" x 7.0" wheels with steel spare wheel. C10706: Four 15.0" x 7.0" cast aluminum with steel spare wheel. K10706: Four 16.0" x 7.0" cast aluminum with steel spare wheel.	■ — ■ — — —	— ■ — ■ ■ ■
WIRING	Seven-lead wiring harness for trailering purposes.	■	■

INTERIOR EQUIPMENT

AIR BAG	Driver's.	■	■
AIR CONDITIONING	Front.	—	■
ARMRESTS	RH and LH padded integral with door panels.	■	■
ASSIST HANDLES	2-door model: Right front, left rear, right rear. 4-door model: RH front seat — one roof mounted, one "A" pillar-mounted. RH/LH rear seats — two roof mounted, two "B" pillar-mounted.	■ — —	■ ■ ■
CARGO NET	Removable security net located in rear compartment.	—	■
CARGO SECURITY SHADE	Color-keyed, removable security shade on 4-door models. Extends from rear seat to endgate.	—	■
CIGARETTE LIGHTER	Located on instrument panel. Includes ashtray light and two covered auxiliary power outlets.	■	■
CUPHOLDERS	Two located in the dash and two located in tray on top of dash. Two located in the rear seat center armrest. (4-door models only).	■ —	■ ■
DOOR PANELS	Color-keyed molded plastic. Soft vinyl color-keyed door panel with cloth inserts, armrest and map pockets with carpet trim. Also includes door reflectors with lights. NOTE: Scotchgard™ Fabric Protector on all cloth seats and door trim panels.	■ —	— ■
DOOR LOCKS	Power. (LT includes remote keyless entry.)	■	■
DOORS	Side door guard beams.	■	■
DRIVER'S CONVENIENCE GROUP	Speed Control, Tilt Steering, Power Windows and Power Door Locks. Driver's window has express down feature.	—	■
FLOOR COVERING	Black embossed vinyl mat. Color-keyed carpet with Scotchgard™ Protector and removable color-keyed vinyl floor mats.	■ —	— ■
GAGES	Including speedometer, odometer, trip odometer, fuel level, voltmeter, engine temperature, oil pressure gages, additional telltale lights, and tachometer.	■	■
GLOVE BOX	Latched door with light.	■	■
HEADLINER	Color-keyed cloth and matching retainer moldings.	■	■
HEADLAMP WARNING TONE	Headlamps on.	■	■
HEATER	Front heater with windshield and front side defoggers. Rear defogger.	■ —	■ ■
HEATER DUCT	Rear seat area. Located on floor under front seats.	■	■
INSULATION	Provided on dash panel, cowl top and sides, headliner and doors. Additional insulation on headliner and side panel.	■ —	■ ■
LIGHTING	Includes dome, reading, ashtray, glove box and cargo lamps. Front and rear dome lamps with switches in RH and LH door jambs and front and rear map lamps. Dome lamp includes illuminated entry feature. All door-activated dome lamps (including rear lift glass or panel door jamb switch) and front and rear reading lamps on 4-door models.	■ ■ —	■ ■ ■
MIRRORS	10-inch rearview. 10-inch electrochromic rearview with 8-point compass.	■ —	— ■
RADIOS	ETR AM/FM stereo radio with Seek-Scan and digital clock. Includes two 6" diameter front door speakers and two 4" x 10" rear speakers mounted in the rear headliner (4 speakers in all). ETR AM/FM stereo radio with Seek-Scan with automatic tone control, digital clock, cassette deck, theft lock and speed-compensated volume. Includes two front 6" diameter door speakers, two .6" tweeters located in power switch pad forward of armrest, and two rear 4" x 10" speakers mounted in the rear headliner (6 speakers in all on C/K10516). Includes two additional speakers in rear side doors on C/K10706 (8 speakers in all).	■ —	— ■
REAR QUARTER TRIM PANELS	Black fabric. Color-keyed, carpeted, with cupholder, storage space and ashtrays on 2-door models. 4-door models include storage bin located at left rear quarter panel. NOTE: Scotchgard™ Fabric Protector on all cloth seats and trim panels.	■ —	— ■
RELEASE, ELECTRIC LIFT GLASS	Located on instrument panel (w/E55 body).	■	■
SEATS	2-Door: Two vinyl reclining buckets with head restraints and easy-entry feature with memory and 3-passenger folding rear bench seat. 3-passenger custom cloth 60/40 reclining front split bench seat with center armrest, adjustable outboard headrests, power lumbar support, seat-back storage nets and easy-entry feature with memory. Front center armrest provides lift-up storage space that features a coin holder, a map net on the inside lid and a writing board. 3-passenger folding rear bench with head restraints. LT trim features power driver's seat and leather seating surfaces.	■ —	— ■



INTERIOR EQUIPMENT (CONT.)

KEY: ■ = STANDARD, -- = NOT INCLUDED		STANDARD	LS/LT (YE9)
SEATS	4-Door: 3-passenger custom cloth 60/40 reclining split bench front seat with center armrest, adjustable, outboard headrests, power lumbar support and seat back storage nets. Front center armrest provides lift-up storage space that features a coin holder, a map net on the inside lid and a writing board. Matching 3-passenger split bench rear seat with center armrest with two cupholders and tissue box holder. Seat-backs have flipper panels. Seats on 4-door models also include adjustable shoulder belts. LT trim features leather seating surfaces. NOTE: Scotchgard™ Fabric Protector on all cloth seats and trim panels.	—	■
SPARE TIRE CARRIER	Located inside on LH rear panel on 2-door model only. Includes color-keyed cloth wheel cover on 2-door model only.	■ —	■ ■
SPARE TIRE/WHEEL	Full size, mounted inside on 2-door model and under body at rear on 4-door models. (YE9 includes steel spare).	■	■
STEERING WHEEL	Simulated leather. Leather.	■ —	— ■
SUNSHADES	Color-keyed cloth RH and LH, padded with storage strap on LH unit and visor mirror on RH unit. Color-keyed RH and LH padded with cloth covering, extenders and illuminated visor mirrors. Storage strap on LH unit.	■ —	— ■
TOOLS	Mechanical jack and wheel wrench (gloves included with YE9).	■	■
WINDSHIELD WIPERS	Intermittent. Rear wiper/washer (with YE9 and E55).	■ —	■ ■

PREFERRED EQUIPMENT GROUPS

Preferred Equipment Groups (PEGs) are convenient option packages that can save your customers money. They would pay appreciably more by buying all the options in a Preferred Equipment Group as individual options. (Savings based on a comparison of Manufacturer's Suggested Retail Price of option packages vs. MSRP of individual options purchased separately). See your 1996 Chevrolet Truck Order Guide and Vehicle Price Schedule for specific information and prices.

OPTIONS

These options can be ordered individually in addition to the Preferred Equipment Groups if not already included. See your 1996 Chevrolet Truck Order Guide for specific availability and restrictions. The Option Code is listed in **bold type**.

Air Cleaner, High Capacity (N/A Diesel Engine)	K47	6250 lb	C5P	Rear Window Equipment:
Air Conditioning	C60	6300 lb	C5Q	Wiper/Washer System with Defogger
Axles, Rear:		6450 lb	C71	(requires E55 body)
3.08	GU4	6800 lb	C5U	Step Running Boards, Side, Black
3.42	GU6	Keyless Entry, Remote (Reqs YE9)	AU0	(dealer installed)
3.73	GT4	License Plate Bracket, Front	VK3	Seat:
Rear Locking Differential	G80	Mirrors, Camper Type (LH and RH stainless steel) (N/A on 4-door models) ...	DF2	Seat Adjuster, Power (driver's side only) ..
Body, Tailgate (drop gate tailgate with lift-glass and electric tailgate release)	E55	Moldings, Wheel Opening Flare (front and rear) (N/A on 4-door models) ...	B71	60/40 Reclining Split Bench Seat
Chassis Equipment Off-Road Package (includes front and rear 46 mm high-pressure gas shocks and NZZ Shield Package) (Reqs YE9) (available K10516 only)	Z71	Paint, Exterior: Solid	ZY1	Reclining high-back bucket seats (includes center and roof console)
Cold Climate Package (includes Engine Block Heater)	V10	Conventional Two-Tone (Reqs YE9)	ZY2	A95
Convenience Package, Driver's (includes Tilt-Wheel™ and Electronic Speed Control)	ZQ3	Radio Equipment: Radio Delete	UL5	Skid Plate Package (includes shield plates for front differential, transfer case. A fuel tank skid plate is also included on K10516 only)
Cooling: Engine Oil Cooler	KC4	ETR AM/FM Stereo Radio w/Seek-Scan, Stereo Cassette, Digital Clock	UM6	NZZ
Cooling: Heavy Duty Transmission	KNP	ETR AM/FM Stereo Radio with Seek-Scan with Automatic Tone Control, Stereo Cassette, Digital Clock, Theft Lock™ and Speed-Compensated Volume (with LS/LT includes an enhanced performance speaker system)	UL0	Sport Appearance Package (includes Conventional Two-Tone paint and Wheel Flare Moldings) (N/A on 4-door models or C10516)
Defogger, Rear Window (Reqs ZW9)	C49	ETR AM/FM Stereo Radio with Seek-Scan, Automatic Tone Control, Compact Disc Player, Digital Clock, Theft Lock™ and Speed-Compensated Volume (with LS/LT includes an enhanced performance speaker system)	UN0	BYP
Emissions:		ETR AM/FM Stereo Radio with Seek-Scan with Automatic Tone Control, Compact Disc Player, Cassette Deck, Digital Clock, Theft Lock™ and Speed-Compensated Volume (with LS and LT includes an enhanced performance speaker system)	UPO	Springs (Torsion Bars requires K10516), Front Heavy-Duty (N/A on 4-door models)
Federal	FE9			F60
California	YF5			V76
Massachusetts/New York	NG1			Trailing Package, Heavy-Duty (includes hitch platform)
Federal Emissions Override	NC7			Z82
Cal./Mass./N.Y Emissions Override	NB8			Transfer Case, Electronic Shift Control
Engine:				NP1
Vortec 5700 V8 SFI	L31			Transmissions:
6.5L V8 Turbo Diesel (K10516 only)	L56			Electronic 4-speed Automatic w/Overdrive
Glass, Solar-Ray® Deep-Tinted	AJ1			M30
GWR Ratings:				Electronically Controlled 4-speed Automatic w/Overdrive (K10516 w/L65 only)
6100 lb	C5M			MT1
				Wheels, Rally Trim
				P06
				Wheels, Cast Aluminum
				PF4
				Wheels, Cast Aluminum
				N80



TAHOE

TIRES

KEY: ALS = ALL-SEASON SBR = STEEL-BELTED RADIAL PLY BW = BLACKWALL WOL = WHITE OUTLINE LETTERED OOR = ON-OFF ROAD ALT = ALL TERRAIN		
TIRE DESCRIPTION		ORDER CODE
P235/75R15	ALS/WL/SBR	QFN
P235/75R15	ALS/WOL/SBR	QHM
P235/75R15	ALS/SBR/BW	QFL
LT245/75R16C	OOR/SBR/WOL	QBX
LT245/75R16C	OOR/SBR/BW	QBN
P245/75R16	ALT/SBR/BW	QGA
P245/75R16	ALT/SBR/WOL	QGB
P265/75R16	ALT/SBR/BW	QGC
P265/75R16	ALT/SBR/WOL	QGD

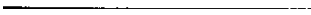
DIMENSIONS

MODEL	TAHOE				
	MODEL NUMBER	CC10516	CC10706	CK10516	CK10706
EXTERIOR DIMENSIONS					
BODY					
Wheelbase (in.)	L101	111.5	117.5	111.5	117.5
Overall Length (in.)	L103	188.0	199.6	188.0	199.6
Overall Height (in.)	H431	72.7	72.7	72.7	75.0
Maximum Width (in.)	W103	77.1	76.8	77.1	76.8
Bumper to Axle (in.)					
Front	L104	35.4	35.8	35.4	35.8
Rear	L105	41.1	46.2	41.1	46.2
Ground to Top of Rear Load Floor (in.)	H502	28.6	29.8	31.1	31.9
Ground Clearance (in.)					
Front/Rear	H148/H153	N/A/7.2	10.5/7.2	9.9/8.0	9.6/8.6
Turning Diameter					
Curb-to-Curb (ft)		38.1	39.8	41.5	42.9
SIGN PANEL AREA (in.)		17 x 48.75	17 x 76.50	17 x 48.75	17 x 76.50

INTERIOR DIMENSIONS

Headroom (in.)					
Front/Rear	H61/H63	39.9/37.8	39.9/38.9	39.9/37.8	39.9/38.9
Legroom (in.)					
Front/Rear	L34/L51	41.7/36.4	41.7/36.7	41.7/36.4	41.7/36.7
Shoulder Room (in.)					
Front/Rear	W3/W4	65.4/66.0	64.7/64.8	65.4/66.0	64.7/64.8
Hip Room (in.)					
Front/Rear	W5/W6	60.0/60.7	59.9/59.7	60.0/60.7	59.9/59.7
Cargo Volume (cu ft)					
Behind Rear Seat ¹		51.6	70.3	51.6	70.3
Behind Front Seat ¹		99.4	122.98	99.4	122.98
Load Floor Length (in.)					
Behind Rear Seat	L203	38.8	52.2	38.8	52.2
Behind Front Seat	L202	74.6	77.2	74.6	77.8
Interior width between Wheelhousings (in.)	W201	49.7	48.3	49.7	49.4
Cargo Area Height (in.)	H201	39.7	40.7	39.7	40.8

¹Measured floor to roof.
N/A - Not Available.



TAHOE 2-DOOR EQUIPMENT SUMMARY

STANDARD INTERIOR FEATURES

		BASE	LS	LT
AIR BAG:	DRIVER'S SIDE	S	S	S
<u>CARGO NET:</u>	<u>REMOVABLE REAR COMPARTMENT SECURITY NET</u>	--	S	S
CUPHOLDERS:	DUAL IN DASH	S	S	S
DOOR BEAMS:	SIDE IMPACT	S	S	S
GAGES:	OIL PRESSURE, TACHOMETER, TRIP ODOMETER AND VOLTMETER	S	S	S
GLASS:	SOLAR RAY TINTED, ALL WINDOWS	S	S	S
<u>HEATING DUCT:</u>	<u>REAR SEAT</u>	S	S	S
JACK:	WITH WHEEL WRENCH	S	S	S
LIGHTING:	DOME W/LH & RH DOOR SWITCH <u>W/DELAYED ENTRY FEATURE</u> , READING ASHTRAY, GLOVE-BOX, UNDERHOOD & CARGO LAMPS	S	S	S
POWER POINTS:	DUAL COVERED	S	S	S
SCOTCHGARD:	ALL CLOTH AND CARPET SURFACES	S	S	S
<u>SEAT BELTS:</u>	<u>ADJUSTABLE HEIGHT, FRONT</u>	S	S	S
WARNING TONE:	KEY-IN-IGNITION BUZZER	S	S	S

STANDARD EXTERIOR FEATURES

		BASE	LS	LT
AIR DAM:	DARK ARGENT	S	S	S
KEY:	SINGLE TWO SIDED	S	S	S
<u>LAMPS:</u>	<u>DAYTIME RUNNING</u>	S	S	S
SPARE TIRE:	FULL SIZE SPARE TIRE & WHEEL	S	S	S
TOW HOOKS:	TWO FRONT ON 4X4 MODELS	S	S	S
WIPERS:	INTERMITTENT WINDSHIELD W/PULSE WASHERS	S	S	S
WIRE HARNESS:	7 WIRE TRAILERING	S	S	S

STANDARD CHASSIS FEATURES

		BASE	LS	LT
BATTERY:	HEAVY-DUTY 600 CCA	S	S	S
BRAKES:	POWER ASSISTED FRONT DISC, REAR DRUM W/4-WHEEL ANTI-LOCK AND TRANSMISSION SHIFT INTERLOCK	S	S	S
<u>ENGINE:</u>	<u>YORTEC 5700 V8 SFI</u>	S	S	S
<u>EXHAUST SYSTEM:</u>	<u>STAINLESS STEEL</u>	S	S	S
FUEL TANK:	30 GAL	S	S	S
GENERATOR:	100 AMP	S	S	S
STEERING:	POWER ASSISTED	S	S	S
<u>STORAGE BOX:</u>	<u>UNDERHOOD, COVERED</u>	S	S	S
SUSPENSION FRT:	INDEPENDENT COIL W/2WD INDEPENDENT TORSION BAR W/4X4	S	S	S
SUSPENSION RR:	MULTI-LEAF SPRINGS	S	S	S
TRANSMISSION	<u>4-SPEED AUTOMATIC W/OVERDRIVE</u>	S	S	S

BOLD, ITALICS AND UNDERLINED INDICATES NEW FOR '96

TAHOE 2-DOOR TRIM DEFINITION & OPTION SUMMARY

INTERIOR TRIM

	BASE	LS	LT
AIR CONDITIONING:	O		S
ASSIST HANDLES: RH FRONT SEAT -- LH & RH REAR SEAT	S	S	S
CONVENIENCE GP: POWER WINDOWS, LOCKS	--	S	S
POWER LOCKS ONLY	S	--	--
TILT WHEEL AND CRUISE CONTROL	O	S	S
DOOR TRIM: MOLDED PLASTIC W/ARMREST	S	--	--
COLOR-KEYED CLOTH AND CARPET TRIM	--	S	S
FLOOR COVERING: FULL BLACK RUBBER	S	--	--
COLOR-KEYED CARPET W/RUBBER MATS	--	S	S
GLASS: DEEP TINT	O	S	S
HEADLINER: COLOR-KEYED CLOTH	S	S	S
MAP POCKETS: IN PASSENGER & DRIVER'S DOOR	O	S	S
MIRROR: <u>10" ELECTROCHROMIC ISRV WITH 8 POINT COMPASS</u>	O	S	S
RADIO: AM/FM STEREO W/SEEK & SCAN	S	--	--
AM/FM STEREO W/SEEK & SCAN, CLOCK AND			
CASSETTE TAPE W/AUTO TONE CONTROL	O	S	S
SEATING FRT: VINYL LOW BACK BUCKET SEATS	S	--	--
CUSTOM CLOTH 60/40 SPLIT BENCH	--	S	--
LEATHER 60/40 SPLIT BENCH	--	--	S
SEATING RR: 3 PASSENGER FOLDING	S	S	S
SPARE TIRE COVER: COLOR-KEYED, CLOTH COVER	--	S	S
STEERING WHEEL: SIMULATED LEATHER	S	--	--
LEATHER WRAPPED	--	S	S
SUNSHADES: CLOTH W/LH STORAGE STRAP & RH MIRROR	S	--	--
LH STORAGE STRAP & LH/RH LIGHTED MIRROR			
W/EXTENDERS	--	S	S

EXTERIOR TRIM

	BASE	LS	LT
BUMPERS FRT: CHROME WITH BLACK RUB STRIPS & BRIGHT TRIM	S	S	S
BUMPER RR: CHROME WITH STEP PAD	S	S	S
CARRIER: ROOF MOUNTED LUGGAGE CARRIER	--	S	S
GRILLE: MOLDED PAINTED ARGENT	S	--	--
CHROME DELUXE	--	S	S
HEADLAMPS: SINGLE RECTANGULAR HALOGEN	S	--	--
DUAL COMPOSITE HALOGEN	--	S	S
HORN: SINGLE NOTE	S	--	--
DUAL NOTE	--	S	S
MIRRORS: BREAK-A-WAY OSRV, BLACK	S	--	--
ELECTRIC REMOTE CONTROL, BLACK	--	S	S
MOLDINGS: BODY SIDE WITH BRIGHT TRIM AND BRIGHT WHEEL			
OPENING TRIM	S	S	S
PAINT: SINGLE TONE	S	S	S
WHEELS: SILVER PAINTED W/BLACK CENTER CAP	S	--	--
ALUMINUM	O	S	S

BOLD, ITALICS AND UNDERLINED INDICATES NEW FOR '96

MODEL AND BODY

Description	Model No	Body	Wheel Base
TAHOE 2-Wheel Drive	CC10516	ZW9	111.5
TAHOE 4-Wheel Drive	CK10516	ZW9	111.5

*Includes Destination & Handling Charges

EMISSIONS (Must Order One) (Refer Emission Requirements Section)

- FE9 Federal Emission Requirements
- YF5 California Emission Requirements
- NG1 New York/Massachusetts State Emissions Requirements
- NB8 California or New York/Massachusetts State Emission Override (Reqs FE9 Federal Emissions)
- NC7 Federal Emission Override (Reqs YF5 California or NG1 New York/Massachusetts State Emissions)

POWER TEAMS (Must Order Engine, Transmission and Rear Axle)

(Consult GVWR Selector For Minimum Equipment Required)

ENGINE	TRANSMISSION	AXLES	GVWR
	AUTO	3.08 3.42 3.73	
	Lt Duty / H Duty		
C10516			
L31 5700 Vortec V8 (350 Cu In)--SFI	M30	GU4 GU6	6100
K10516			
L31 5700 Vortec V8 (350 Cu In)--SFI	M30	GU6 GT4	6250
L56 V8 Turbo Diesel 6.5 Liter (400 Cu In)	MT1	(a) GU6 (a) GT4	6450

(a) Reqs FE9 Emissions

GVWR SELECTOR (MUST SPECIFY GVW OPTION)

GVW OPT	GVW Rating (lbs)	Minimum Equipment Required For GVW Rating (a) GAWR (lbs)		
		Front	Rear	
C5M	6100	3526	3686	Reqs C10516
C5P	6250	3600	3750	N/A L56 Eng or C10516
C7I	6450	3600	3750	Reqs L56 Eng and K10516

(a) GAWR's shown are the minimum for each axle with equipment listed. Other GAWR's are available

CAPACITIES

C10516			
SPRINGS:		AXLES:	
Front	Base	Front	Base
3200	Base	3600	Base
Rear	Base	Rear	Base
3750	Base	3750	Base

K10516			
SPRINGS:		AXLES:	
Front	Base	Front	Base
3600	Base	3925	Base
Rear	Base	Rear	Base
3750	Base	3750	Base

TAHOE 2-DOOR

MUST SPECIFY:

AXLE, BODY CODE, EMISSION, ENGINE, TIRES AND TRANSMISSION

No Deletions Allowed. Additional Options/Upgrades (Where Indicated) May be Ordered from the Custom Ordering Option Listing.

				Decor		
				BASE	LS	LT
	1	1	1			
	S	S	S			
	A	B	C			
BASE DECOR	X	--	--			
LS DECOR		X	--			
Air Conditioning	C60	X	X			
ATC Stereo Cassette (A)	UL0	X	X			
Glass, Deep Tinted	AJ1	X	X			
Rear Wiper/Washer w/Defogger (E55 Body Only)	ZP6	X	X			
Rear Window Defogger (ZW9 Only)	C49	X	X			
Luggage Carrier		X	X			
LT DECOR			X			
Power Seat	AG9		X			
Remote Keyless Entry	AU0		X			
60/40 Split Bench Seat (B)	AE7		X			

(A) May upgrade
 (B) Must Specify Trim Color. May Upgrade To A95 Bucket Seats

SPORT PACKAGE: Ordering Option BYP

Reqs PEG 1SB or 1SC
 Reqs L31 Eng, QGA or QGC Tires
 N/A 2-Wheel Drive
 (Refer Page 9 for available Paint and Trim Applications)

Includes:

Dark Argent Colored
 Uplevel Grille, Wheel Flares, Front Bumper w/Rubber Strip,
 Rear Bumper w/Rubber Strip and Step Pad

Black Colored
 Front License Bracket
 Front Air Dam
 Mirrors
 Sport Decals

ADDITIONAL OPTIONS

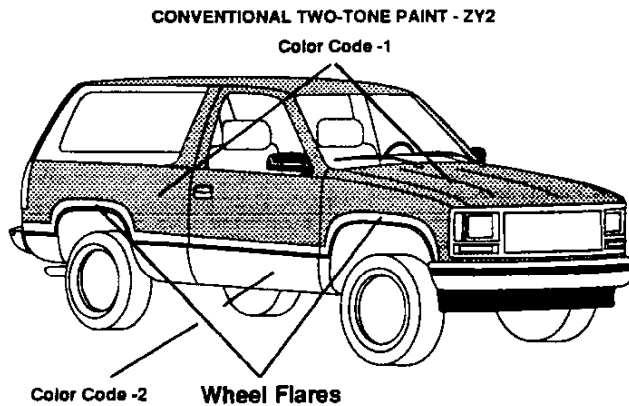
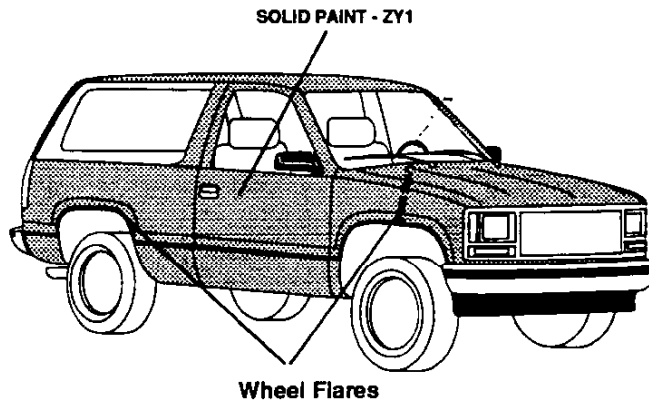
INCL W/DECOR			OPTION	
Base	LS	LT		
N/A			ACKNOWLEDGEMENTS R8S Multiple Order Numbers R8T Preliminary Invoice (Refer Vehicle Price Schedule) K47 AIR CLEANER: High Capacity (N/A Diesel) C60 AIR CONDITIONING w/1SB or 1SC w/1SA AXLES, REAR: (Refer Power Teams Chart for Availability) GU4 3.08 Ratio GU6 3.42 Ratio GT4 3.73 Ratio G80 Locking Differential (C10516 Reqs GU6 Axle) BODY CODE: (Must Specify One) ZW9 Base, Panel Door E55 Tailgate (Lift Glass w/Drop Gate and Power Release) Z71 CHASSIS EQUIPMENT: Off-Road Package (Reqs QBN, QBX, QGC or QGD Tires w/o BYP Sport Pkg) (Reqs QGC w/BYP Sport Pkg) (Incls NZZ Skid Plate Pkg and Bilstein Shock Absorbers) (w/o BYP Sport Pkg, Reqs QGC, QGD, QBN or QBX Tires)	
		x	x	V10 COLD CLIMATE PACKAGE: (Incls Eng Block Heater) (Reqs L31 Eng) ZQ3 CONVENIENCE GROUP: Tilt Wheel and Speed Control w/1SB or 1SC w/1SA COOLING SYSTEM: (Engine Oil Cooler comparable to KC4 is standard w/GT4 Axle and/or Diesel Eng) KC4 Engine Oil (Reqs L31 Eng) (N/A GT4 Axle) w/Z82 w/o A82 KNP Transmission, Heavy-Duty, Auxiliary (Reqs AutoTrans & L31 Eng) (N/A GU4 Axle) w/MT1 or Z82 and M30 w/o MT1 or w/o Z82 and M30
		x	x	C49 DEFOGGER: Rear Window, Electric (Reqs ZW9 Body and C60 Air) w/1SB or 1SC w/1SA EMISSIONS: (Refer Emission Requirement Tab Section) FE9 Federal Emission Requirements YF5 California Emission Requirements w/L31 w/o L31 NG1 New York/Massachusetts Emission Requirements NB8 California or New York/Massachusetts Emission Override (Reqs FE9 Federal Emissions) NC7 Federal Emission Override (Reqs YF5 California or NG1 New York/Massachusetts Emissions)
				ENGINES: (Refer Power Teams Chart) L31 5700 Vortec V8 (350 Cu In)-SF1 L56 6.5 Liter V8 (400 Cu In)-Turbo Diesel (Incls Front Bumper Guards) (N/A BYP Sport Pkg) (Deletes Underhood Storage Box)
		x	x	AJ1 GLASS: Deep Tinted w/1SB or 1SC w/1SA GVWR: (Must Specify One) (Refer GVWR Selector Chart for Availability) C5M 6100# C5P 6250# C71 6450#
	N/A		x	AU0 KEYLESS ENTRY: Remote w/1SC w/1SB VK3 LICENSE PLATE BRACKET: Front DF2 MIRROR: Camper Type Stainless Steel, 7.5" W x 10.5" H, Exterior (N/A BYP Sport Pkg) w/1SB or 1SC w/1SA
				B71 MOLDING: Wheel Flares (Refer Color/Trim Charts For Availability) (Incl w/ BYP Sport Pkg) (N/A C10516) w/BYP w/o BYP PAINT, EXTERIOR: (Refer Color/Trim Charts for Availability) ZY1 Solid (N/A BYP Sport Pkg) ZY2 Conventional Two-Tone w/BYP w/o BYP
	N/A			

ADDITIONAL OPTIONS

INCL W/DECOR			OPTION
Base	LS	LT	
	N/A	N/A	UM6 RADIO EQUIPMENT: Electronically Tuned AM/FM Stereo Radio w/Seek-Scan, Stereo Cassette Tape and Digital Clock
N/A	x	x	UL0 Electronically Tuned AM/FM Stereo Radio w/Seek-Scan w/Automatic Tone Control, Digital Clock Cassette Tape, Theft Lock and Speed Compensated Volume (Incls Enhanced Performance Speaker System)
N/A			UN0 Electronically Tuned AM/FM Stereo Radio w/Seek-Scan w/Automatic Tone Control, Compact Disc Player, Digital Clock, Theft Lock and Speed Compensated Volume (Incls Enhanced Performance Speaker System) (Reqs M30 or MT1 Trans)
N/A			UP0 Electronically Tuned AM/FM Stereo Radio w/Seek-Scan w/Automatic Tone Control, Compact Disc Player, Digital Clock, Cassette Tape, Theft Lock and Speed Compensated Volume (Incls Enhanced Performance Speaker System) (Reqs M30 or MT1 Trans)
	N/A	N/A	UL5 Radio Delete
	x	x	ZP6 REAR WINDOW EQUIPMENT: Wiper/Washer System with Defogger (Incls Wiper Washer System; Also includes Rear Window Defogger) (Reqs E55 Body) w/1SB or 1SC w/1SA
N/A		x	AG9 SEAT: Power Driver's Seat w/1SC w/o 1SC SEAT TYPE: (Refer Color/Trim Chart for Availability)
			AE7 Reclining 60/40 Split Bench Seat (Incls Storage Armrest and Power Lumbar w/Custom Cloth or Leather Trim)
			A95 Reclining High Back Bucket Seats (Incls Center and Roof Console and Power Lumbar) w/1SC w/1SA or 1SB
			NZZ SKID PLATE PACKAGE: w/Z71 w/o Z71
N/A			BYP SPORT PACKAGE: (Refer Standard Features Page 2 for Package Content) (Reqs K10516 and ZY2 Paint Application)
			F60 SPRINGS: Front, Heavy-Duty (Reqs L31 Eng)
			BVE STEP RUNNING BOARD: Side, Black (Supports 600 lbs) (Dealer Installed)
			TIRES: Tubeless (BW - Blackwall; WOL - White Outlined Letters; WL - White Letters) (Front, Rear and Spare) C10516 Only QFL LT235/75R15 All Seasons Steel Belted Radial Ply B/W QFN LT235/75R15 All Seasons Steel Belted Radial Ply W/L K10516 Only QBN LT245/75R16-C On-Off Road Steel Belted Radial Ply B/W (Reqs K10516) QBX LT245/75R16-C On-Off Road Steel Belted Radial Ply WOL QGA P245/75R16 All Terrain Steel Belted Radial Ply B/W QGC P265/75R16 All Terrain Steel Belted Radial Ply B/W (Reqs PF4 Wheels) QGD P265/75R16 All Terrain Steel Belted Radial Ply WOL (Reqs PF4 Wheels) Z82 TRAILERING SPECIAL EQUIPMENT: Heavy-Duty (Incls Trailer Hitch Platform and Hitch, Wiring Harness) (Incls KC4 Eng Oil Cooler and KNP Transmissions Oil Cooler Where Available) w/Diesel Eng w/o Diesel Eng
			NP1 TRANSFER CASE: Electronic Shift Control, 2-Speed (Reqs 4-Wheel Drive and Automatic Transmission) (Reqs ZQ3 Convenience Pkg or LS/LT Decor) TRANSMISSIONS: (Refer Power Teams Chart) M30 4-Speed Electronically Controlled Automatic w/Overdrive MT1 4-Speed Electronically Controlled Automatic w/Overdrive, Heavy-Duty
	N/A	N/A	P06 WHEEL TRIM: Rally (N/A PF4 Wheels) WHEELS: N90 Aluminum (Spare is Steel) (2-Wheel Drive Only) w/1SB or 1SC w/1SA PF4 Aluminum (Spare is Steel) (4-Wheel Drive Only) w/1SB or 1SC w/1SA

TAHOE 2-DOOR

PAINT APPLICATIONS WITH ZY1 AND ZY2 PAINT W/O BYP SPORT PACKAGE



TAHOE 2-DOOR INTERIOR AND EXTERIOR COLOR AVAILABILITY CHART ZY1 PAINT (N/A BYP SPORT PACKAGE)

PLEASE NOTE: Below are the interior trim color and exterior paint combinations recommended by Chevrolet. They are the only available interior and exterior combinations allowed.

TRIM LEVEL (Must Specify Seat Option and Interior Color) Seat Type	SEAT OPT	INTERIOR COLORS			
		Neutral	Blue	Gray	Red
CHEYENNE (STD DECOR) Vinyl Reclining Back Bkt Seats	A50	52V	26V	13V	79V
LS PACKAGE Custom Cloth Reclining Split Bench Seat	AE7	52D	26D	13D	79D
Custom Cloth Reclining High Back Bucket Seats (Incls. Roof/Floor Console)	A95	52D	26D	13D	79D
LT PACKAGE * Custom Leather Reclining Split Bench Seat	AE7	522	262	132	792
* Custom Leather Reclining High Back Bkt Seats	A95	522	262	132	792

EXTERIOR COLORS w/ZY1 PAINT	Color Code 1	PAINT SCHEME	INTERIOR & EXTERIOR COMBINATIONS SHOWN ARE THE ONLY COMBINATIONS AVAILABLE				WHEEL FLARE W/B71 MOLDING
AUTUMNWOOD, LT (Met)	55U	ZY1	x				Autumnwood, Lt
BLACK, ONYX	41U	ZY1	x			x	Black
BLUE, ATLANTIC (Met)	30U	ZY1		x	x		Dk Argent
BLUE, INDIGO (Met)	39U	ZY1	x	x	x		Blue
GREEN, EMERALD (Met)	43U	ZY1	x		x		Dk Argent
QUICKSILVER (Met)	96U	ZY1		x	x	x	Silver
RED, CHERRY (Met)	77U	ZY1	x		x	x	Red
CHERRY ICE (Met)	59U	ZY1	x		x	x	Dk Argent
RED, VICTORY	74U	ZY1	x		x	x	Dk Argent
WHITE, SUMMIT	50U	ZY1	x	x	x	x	Dk Argent

* Leather on Seating Surface Only

INTERIOR AND EXTERIOR COLOR AVAILABILITY CHART ZY2 PAINT Reqs LS/LT Decor (N/A BYP Sport Package)

EXTERIOR COLORS w/ZY2 PAINT	Color Code 1	**Color Code 2	PAINT SCHEME	INTERIOR & EXTERIOR COMBINATIONS SHOWN ARE THE ONLY COMBINATIONS AVAILABLE				WHEEL FLARE W/B71 MOLDING
BLACK, ONYX/Autumnwood, Lt (Met)	41U	55L	ZY2	x				Autumnwood, Lt
BLACK, ONYX/Quicksilver (Met)	41U	96L	ZY2				x	Silver
BLUE, ATLANTIC (Met)/Blue Indigo (Met)	30U	39L	ZY2		x	x		Indigo
BLUE, ATLANTIC (Met)/Quicksilver (Met)	30U	96L	ZY2		x	x		Silver
BLUE, INDIGO (Met)/Autumn, Lt (Met)	39U	55L	ZY2	x	x			Autumnwood, Lt
*BLUE, INDIGO (Met)/Blue, Atlantic (Met)	39U	30L	ZY2		x	x		N/A
BLUE, INDIGO (Met)/Quicksilver (Met)	39U	96L	ZY2		x	x		Silver
GREEN, EMERALD (Met)/Autumn, Lt (Met)	43U	55L	ZY2	x				Autumnwood, Lt
GREEN, EMERALD (Met)/Quicksilver (Met)	43U	96L	ZY2			x		Silver
QUICKSILVER (Met)/Black, Onyx	96U	41L	ZY2			x	x	Black
*QUICKSILVER (Met)/Blue, Atlantic (Met)	96U	30L	ZY2		x	x		N/A
QUICKSILVER (Met)/Blue, Indigo (Met)	96U	39L	ZY2		x	x		Indigo
QUICKSILVER (Met)/Red, Cherry	96U	77L	ZY2			x	x	Red, Cherry
RED, CHERRY (Met)/Autumn, Lt (Met)	77U	55L	ZY2	x			x	Autumnwood, Lt
RED, CHERRY (Met)/Quicksilver (Met)	77U	96L	ZY2			x	x	Silver
RED, CHERRY (Met)/Cherry Ice	77U	59L	ZY2	x		x	x	N/A
CHERRY ICE (Met)/Autumn, Lt (Met)	59U	55L	ZY2	x			x	Autumnwood, Lt
CHERRY ICE (Met)/Quicksilver (Met)	59U	96L	ZY2			x	x	Silver
CHERRY ICE (Met)/Red, Cherry (Met)	59U	77L	ZY2	x		x		Red, Cherry
RED, VICTORY/Black, Onyx	74U	41L	ZY2	x		x	x	Black
RED, VICTORY/Quicksilver (Met)	74U	96L	ZY2			x	x	Silver
WHITE, SUMMIT/Autumn, Lt (Met)	50U	55L	ZY2	x				Autumnwood, Lt
WHITE, SUMMIT/Blue, Indigo (Met)	50U	39L	ZY2		x			Indigo
WHITE, SUMMIT/Red, Cherry	50U	77L	ZY2				x	Red, Cherry

* N/A B71 Molding

** Color Code 2 Must be ordered as a (+) Plus option

TAHOE

1996 ORDER GUIDE

REVISED: 1-29-96

Page 8

Prices Shown Are Manufacturer's Suggested Retail Prices (MSRP) At The Time Of Publication. These Prices Are To Be Used Only As An Aid To Inventory Management Since MSRP Figures Change Periodically. The Vehicle Price Schedule Is The Official Pricing Documentation Of Chevrolet Motor Division And Should Be Used In Discussing Vehicle Prices With Potential Buyers. The Model Prices Shown In The Order Guide Include The Destination Freight Charges.

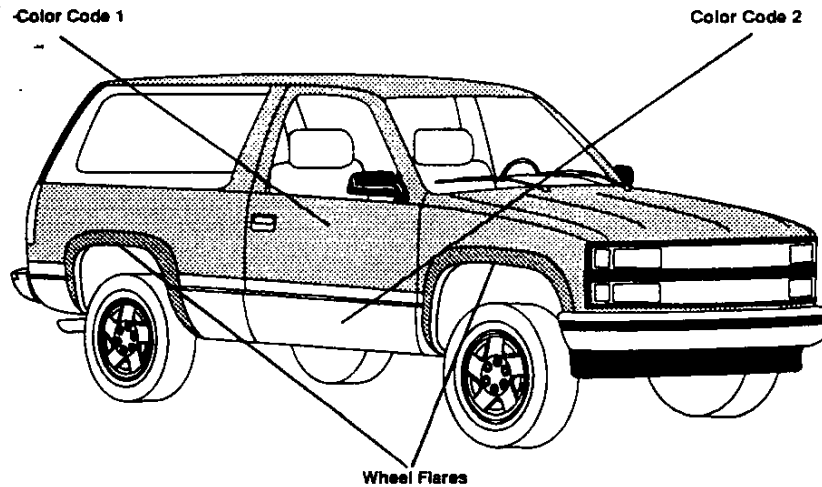
BYP SPORT TAHOE 2-DOOR INTERIOR AND EXTERIOR COLOR AVAILABILITY CHART ZY2 TWO-TONE PAINT WITH BYP SPORT EQUIPMENT PACKAGE

PLEASE NOTE: Below are the interior trim color and exterior paint combinations recommended by Chevrolet. They are the only available interior and exterior combinations allowed.

TRIM LEVEL (Must Specify Seat Option and Interior Color) Seat Type			SEAT OPT	INTERIOR COLORS			
				Neutral	Blue	Gray	Red
LS PACKAGE							
Custom Cloth Reclining Split Bench Seat			AE7	52D	26D	13D	79D
Custom Cloth Reclining High Back Bucket Seats (Incls Roof/Floor Console)			A95	52D	26D	13D	79D
LT PACKAGE							
* Custom Leather Reclining Split Bench Seat			AE7	522	262	132	792
* Custom Leather Reclining High Back Bkt Seats			A95	522	262	132	792
EXTERIOR COLORS w/ZY2 PAINT	Color Code 1	**Color Code 2	PAINT SCHEME	INTERIOR & EXTERIOR COMBINATIONS SHOWN ARE THE ONLY COMBINATIONS AVAILABLE			
AUTUMNWOOD, LT (Met)/Gray, Gunmetal (Met)	55U	91L	ZY2	x			
BLACK, ONYX/Gray, Gunmetal (Met)	41U	91L	ZY2	x		x	x
GREEN, EMERALD (Met)/Gray, Gunmetal (Met)	43U	91L	ZY2	x		x	
QUICKSILVER (Met)/Gray, Gunmetal (Met)	96U	91L	ZY2		x	x	x
RED, CHERRY (Met)/Gray, Gunmetal (Met)	77U	91L	ZY2			x	x
RED, VICTORY/Gray, Gunmetal (Met)	74U	91L	ZY2			x	
WHITE, SUMMIT/Gray, Gunmetal (Met)	50U	91L	ZY2	x	x	x	x

NOTE: W/B71, Wheel Flare Color Matches Color Code 2

- * Leather on Seating Surface Only
- ** Color Code 2 Must be ordered as a (+) Plus option



NOTES

TAHOE 4-DOOR EQUIPMENT SUMMARY

STANDARD INTERIOR FEATURES

		LS	LT
AIR BAG:	DRIVER'S SIDE	S	S
CARGO NET:	REMOVABLE REAR COMPARTMENT SECURITY NET	S	S
CARGO SHADE:	REMOVABLE REAR CARGO SECURITY SHADE	S	S
COAT HOOKS:	2 LH & 2 RH MOUNTED ABOVE REAR SEAT AND IN CARGO AREA	S	S
CUPHOLDERS:	DUAL IN DASH	S	S
DOOR BEAMS:	SIDE IMPACT	S	S
GAGES:	ENGINE TEMP, OIL PRESSURE, TACHOMETER, TRIP ODOMETER AND VOLTMETER	S	S
GLASS:	SOLAR RAY LIGHT TINTED, FRONT AND REAR SIDE WINDOWS	S	S
HEATING DUCT:	REAR SEAT	S	S
JACK:	WITH WHEEL WRENCH	S	S
LIGHTING:	FRONT & REAR DOME, FRONT FOOT WELL, W/LH & RH DOOR SWITCH <u>W/DELAYED ENTRY FEATURE</u> , READING, ASHTRAY, GLOVE-BOX, UNDERHOOD AND CARGO LAMPS	S	S
MIRROR:	10" ELECTROCHROMIC ISRV WITH 8 POINT COMPASS	S	S
POWER POINTS:	DUAL COVERED	S	S
SCOTCHGARD:	ALL CLOTH AND CARPET SURFACES	S	S
SEAT BELTS:	ADJUSTABLE HEIGHT, FRONT & REAR	S	S
STORAGE BIN:	LEFT REAR QUARTER PANEL	S	S
WARNING TONE:	KEY-IN-IGNITION AND HEADLAMPS-ON BUZZERS	S	S

STANDARD EXTERIOR FEATURES

		LS	LT
AIR DAM:	DARK ARGENT	S	S
KEY:	SINGLE TWO SIDED	S	S
LAMPS:	<u>DAYTIME RUNNING</u>	S	S
SPARE TIRE:	UNDER BODY FULL SIZE TIRE MOUNTED ON STEEL WHEEL	S	S
TIRES:	2WD: FIVE P235/75R-15 ALL SEASON STEEL BELTED RADIALS	S	S
	4WD: FIVE P245/75R-16 ALL TERRAIN STEEL BELTED RADIALS	S	S
TOW HOOKS:	TWO BLACK FRONT FRAME MOUNTED ON 4X4 MODELS	S	S
WIPERS:	INTERMITTENT WINDSHIELD W/PULSE WASHERS	S	S
WIRE HARNESS:	7 WIRE TRAILERING	S	S

STANDARD CHASSIS FEATURES

		LS	LT
BATTERY:	HEAVY-DUTY 600 CCA	S	S
BRAKES:	POWER ASSISTED FRONT DISC, REAR DRUM W/4-WHEEL ANTI-LOCK AND TRANSMISSION SHIFT INTERLOCK	S	S
ENGINE:	<u>VORTEC 5700 V8 SFI</u>	S	S
EXHAUST SYSTEM:	<u>STAINLESS STEEL</u>	S	S
FUEL TANK:	30 GAL	S	S
GENERATOR:	100 AMP	S	S
STEERING:	POWER ASSISTED	S	S
STORAGE BOX:	<u>UNDERHOOD, COVERED</u>	S	S
SUSPENSION FRT:	INDEPENDENT COIL W/2WD	S	S
	INDEPENDENT TORSION BAR W/4X4	S	S
SUSPENSION RR:	MULTI-LEAF SPRINGS	S	S
TRANSMISSION:	4-SPEED ELECTRONIC CONTROLLED AUTOMATIC W/OVERDRIVE	S	S

BOLD, ITALICS AND UNDER LINED INDICATES NEW FOR '96

REVISED: 1-29-96

1996 ORDER GUIDE

TAHOE
Page 11

Prices Shown Are Manufacturer's Suggested Retail Prices (MSRP) At The Time Of Publication. These Prices Are To Be Used Only As An Aid To Inventory Management Since MSRP Figures Change Periodically. The Vehicle Price Schedule Is The Official Pricing Documentation Of Chevrolet Motor Division And Should Be Used In Discussing Vehicle Prices With Potential Buyers. The Model Prices Shown In The Order Guide Include The Destination Freight Charges.

TAHOE 4-DOOR TRIM DEFINITION & OPTION SUMMARY

INTERIOR TRIM

	LS	LT
AIR CONDITIONING:	S	S
ASSIST HANDLES: FRONT SEAT - 1 RH ROOF & 1 RH "A" PILLOW MOUNTED	S	S
REAR SEAT - 2 LH/RH ROOF & 2 LH/RH "B" PILLAR MOUNTED	S	S
CONVENIENCE GP: POWER WINDOWS, LOCKS	S	S
TILT WHEEL AND CRUISE CONTROL	S	S
DOOR TRIM: SOFT VINYL WITH CLOTH INSERTS	S	S
FLOOR COVERING: COLOR-KEYED CARPET W/FRONT & REAR RUBBER MATS	S	S
GLASS: DEEP TINTED	S	S
HEADLINER: COLOR-KEYED CLOTH	S	S
MAP POCKETS: IN PASSENGER & DRIVER'S DOOR	S	S
RADIO: AM/FM STEREO W/SEEK & SCAN, CASSETTE TAPE & AUTO TONE CONTROL	S	S
RADIO SPEAKERS: FRONT -- 2-DOOR SPEAKERS, 2 ARMREST MOUNTED TWEETERS AND REAR -- 2 SIDE DOOR AND 2 HEADLINER MOUNTED SPEAKERS	S	S
SEATING FRT: 60/40 SPLIT BENCH CUSTOM CLOTH	S	--
LEATHER 60/40 SPLIT BENCH	--	S
SEATING RR: 3 PASSENGER FOLDING, 60/40 SPLIT BENCH WITH CENTER ARMREST W/INTEGRAL DUAL CUP AND TISSUE HOLDER	S	S
STEERING WHEEL: LEATHER WRAPPED	S	S
SUNSHADES: COLOR-KEYED CLOTH W/ILLUMINATED MIRRORS AND EXTENDERS LH W/STORAGE STRAP	S	S

EXTERIOR TRIM

	LS	LT
BUMPER FRT: CHROME W/BLACK RUB STRIPS & BRIGHT TRIM	S	S
BUMPER REAR: CHROME W/BLACK RUB STRIP AND STEP PAD	S	S
CARRIER: ROOF MOUNTED LUGGAGE CARRIER	S	S
GRILLE: CHROME DELUXE	S	S
HEADLAMPS: DUAL COMPOSITE HALOGEN	S	S
HORN: DUAL NOTE	S	S
MIRRORS: BLACK ELECTRIC OSRV (8.5W X 5.0"H)	S	S
MOLDINGS: BLACK BODY SIDE WITH BRIGHT TRIM AND BRIGHT WHEEL OPENING TRIM	S	S
NAMEPLATES: LS BADGE ON B-PILLAR	S	--
LT BADGE ON B-PILLAR	--	S
PAINT: SINGLE TONE	S	S
WHEELS: 2WD -- FOUR 15" X 7" CAST ALUMINUM	S	S
4WD -- FOUR 16" X 6.5" CAST ALUMINUM	S	S

BOLD, ITALICS AND UNDER LINED INDICATES NEW FOR '96

TAHOE

1996 ORDER GUIDE

REVISED: 1-29-96

Page 12

Prices Shown Are Manufacturer's Suggested Retail Prices (MSRP) At The Time Of Publication. These Prices Are To Be Used Only As An Aid To Inventory Management Since MSRP Figures Change Periodically. The Vehicle Price Schedule Is The Official Pricing Documentation Of Chevrolet Motor Division And Should Be Used In Discussing Vehicle Prices With Potential Buyers. The Model Prices Shown In The Order Guide Include The Destination Freight Charges.

MODEL AND BODY

Description	Model No	Body	Wheel Base
TAHOE 2-Wheel Drive	CC10706	ZW9/E55	117.5
TAHOE 4-Wheel Drive	CK10706	ZW9/E55	117.5

*Includes Destination & Handling Charges

EMISSIONS (Must Order One) (Refer Emission Requirements Section)

- FE9 Federal Emission Requirements
- YF5 California Emission Requirements
- NG1 New York/Massachusetts State Emissions Requirements
- NB8 California or New York/Massachusetts State Emission Override (Reqs FE9 Federal Emissions)
- NC7 Federal Emission Override (Reqs YF5 California or NG1 New York/Massachusetts State Emissions)

POWER TEAMS (Must Order Engine, Transmission and Rear Axle)

(Consult GVWR Selector For Minimum Equipment Required)

ENGINE	TRANSMISSION	AXLES		GVWR
	AUTO	3.42	3.73	
C-K10706				
L31 Vortec 5700 V8 (350 Cu In) SFI	M30	GU6	GT4	6300/6800

GVWR SELECTOR (MUST SPECIFY GVW OPTION)

GVW OPT	GVW Rating (lbs)	Minimum Equipment Required For GVW Rating		
		(a) GAWR (lbs)		
		Front	Rear	
C5Q	6300	3200	3686	C10706 Only
C5U	6800	3600	3750	K10706 Only

(a) GAWR's shown are the minimum for each axle with equipment listed. Other GAWR's are available and they are determined as the minimum capacity of either axle, springs or tires.

CAPACITIES

C10706

SPRINGS:		AXLES:	
Front		Front	
3200	Base	3600	Base
Rear		Rear	
3750	Base	3750	Base

CAPACITIES

K10706

SPRINGS:		AXLES:	
Front		Front	
3600	Base	3925	Base
Rear		Rear	
3750	Base	3750	Base

TAHOE 4-DOOR

MUST SPECIFY:

AXLE, BODY CODE, EMISSION, ENGINE, TIRES AND TRANSMISSION

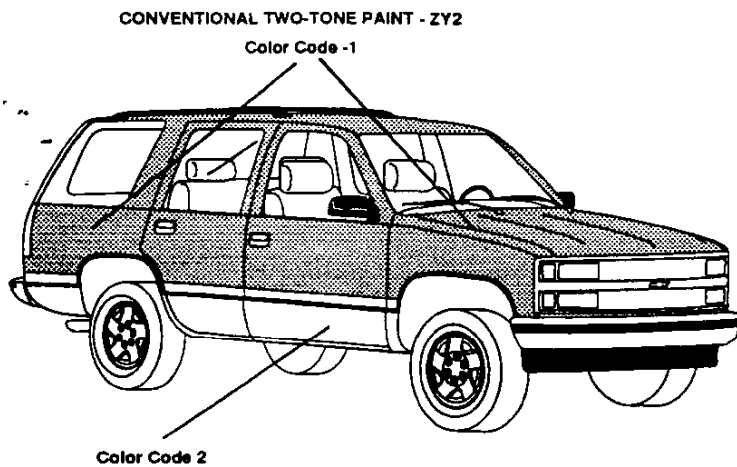
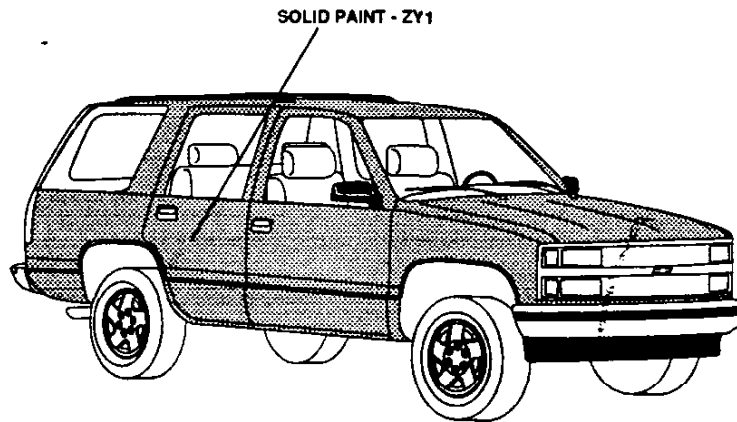
No Deletions Allowed. Additional Options/Upgrades (Where Indicated) May be Ordered from the Custom Ordering Option Listing.

		Decor	
		LS	LT
		1 S B	1 S C
LS DECOR			
Air Conditioning		X	-
Aluminum Wheels		X	X
ATC Stereo Cassette (A)		X	X
Convenience Group: Tilt Wheel and Cruise Control		X	X
Glass, Deep Tinted, Solar Ray		X	X
Luggage Carrier		X	X
Mirror, Exterior: Electric Controlled, Painted		X	X
Rear Wiper/Washer w/Defogger (E55 Body Only)		X	X
Rear Window Defogger (ZW9 Only)		X	X
LT DECOR			
Power Seat			X
Remote Keyless Entry	AG9		X
60/40 Split Bench Seat (B)	AU0		X
	AE7		X

(A) May upgrade

(B) Must Specify Trim Color, May Upgrade To A95 Bucket Seats

PAINT APPLICATIONS WITH ZY1 AND ZY2 PAINT



ADDITIONAL OPTIONS

INCL W/DECOR		OPTION
LS	LT	
		ACKNOWLEDGEMENTS
		R8S Multiple Order Numbers
		R8T Preliminary Invoice (Vehicle Price Schedule)
		K47 AIR CLEANER
		AXLES, REAR: (Refer Power Teams Chart for Availability)
		GU6 3.42 Ratio
		GT4 3.73 Ratio
		G80 Locking Differential
		BODY CODE: (Must Order One)
		ZW9 Base, Panel Door
		E55 Tailgate (Lift Glass w/Drop Gate and Power Release)
		V10 COLD CLIMATE PACKAGE: (Incls Eng Block Heater)
		COOLING SYSTEM: (Engine Oil Cooler comparable to KC4 is standard w/o GU6 Axle)
		KC4 Engine Oil (Incl w/Z82 Trailering)(N/A GT4 Axle)
		w/Z82
		w/o Z82
		KNP Transmission, Heavy-Duty, Auxiliary (Incl w/Z82 Trailering)
		w/Z82
		w/o Z82
		EMISSIONS: (Refer Emission Requirement Tab Section)
		FE9 Federal Emission Requirements
		YF5 California Emission Requirements
		NG1 New York/Massachusetts Emission Requirements
		NB8 California or New York/Massachusetts Emission Override (Reqs FE9 Federal Emissions)
		NC7 Federal Emission Override (Reqs YF5 California or NG1 New York/Massachusetts Emissions)
		ENGINES: (Refer Power Teams Chart)
		L31 Vortec 5700 V8 (350 Cu In)--SF1
		GVWR: (Must Specify One) (Refer GVWR Selector Chart for Availability)
		C5Q 6300#
		C5U 6800#
	x	AU0 KEYLESS ENTRY: Remote
		w/1SC
		w/1SB
		VK3 LICENSE PLATE BRACKET: Front
		PAINT, EXTERIOR: (Refer Color/Trim Charts for Availability)
		ZY1 Solid
		ZY2 Conventional Two-Tone
x	x	RADIO EQUIPMENT:
		UL0 Electronically Tuned AM/FM Stereo Radio w/Seek-Scan w/Automatic Tone Control, Digital Clock
		Cassette Tape, Theft Lock and Speed Compensated Volume (Incls an Enhanced Performance Speaker System)
		UN0 Electronically Tuned AM/FM Stereo Radio w/Seek-Scan w/Automatic Tone Control, Compact Disc Player,
		Digital Clock, Theft Lock and Speed Compensated Volume (Incls an Enhanced Performance Speaker System)
		UP0 Electronically Tuned AM/FM Stereo Radio w/Seek-Scan w/Automatic Tone Control, Compact Disc Player,
		Digital Clock, Cassette Tape, Theft Lock and Speed Compensated Volume (Incls an Enhanced Performance
		Speaker System)
	x	AG9 SEAT: Power Driver's Seat
		w/1SC
		w/1SB
	x	SEAT TYPE: (Refer Color/Trim Chart for Availability)
		AE7 Reclining 60/40 Split Bench Seat (Incls Storage Armrest and Power Lumbar)
		A95 Reclining High Back Bucket Seats (Incls Center and Roof Console and Power Lumbar)
		w/1SC
		w/1SB
		NZZ SKID PLATE PACKAGE:
		BVE STEP RUNNING BOARD: Side, Black (Supports 600 lbs) (Dealer Installed)
		TIRES: Tubeless (BW - Blackwall; WOL - White Outlined Letters; WL - White Letters)
		(Front, Rear and Spare)
		QFL P235/75R15 All Seasons Steel Belted Radial Ply B/W (K10706 Only)
		QFN LT235/75R-15 All Seasons Steel Belted Radial Ply W/L (K10706 Only)
		QGA P245/75R16 All Terrain Steel Belted Radial Ply B/W (K10706 Only)
		QGB P245/75R16 All Terrain Steel Belted Radial Ply WOL (K10706 Only)
		V76 TOW HOOKS: (Std K1500)
		Z82 TRAILERING SPECIAL EQUIPMENT: Heavy-Duty (Incls Trailer Hitch Platform and Hitch) (Incls KC4 Eng Oil
		Cooler and KNP Transmission Oil Cooler Where Available)
		NP1 TRANSFER CASE: Electronic Shift Control, 2-Speed (Reqs 4-Wheel Drive)
		M30 TRANSMISSION: (Refer Power Teams Chart) 4-Speed Electronically Controlled Automatic w/Overdrive

TAHOE 4-DOOR INTERIOR AND EXTERIOR COLOR AVAILABILITY CHART ZY1 PAINT

PLEASE NOTE: Below are the interior trim color and exterior paint combinations recommended by Chevrolet. They are the only available interior and exterior combinations allowed.

TRIM LEVEL (Must Specify Seat Option and Interior Color) Seat Type	SEAT OPT	INTERIOR COLORS				
		Neutral	Blue	Gray	Red	
LS PACKAGE						
Custom Cloth Reclining Split Bench Seat	AE7	52D	26D	13D	79D	
Custom Cloth Reclining High Back Bucket Seats (Incls Roof/Floor Console)	A95	52D	26D	13D	79D	
LT PACKAGE						
* Custom Leather Reclining Split Bench Seat	AE7	522	262	132	792	
* Custom Leather Reclining High Back Bkt Seats	A95	522	262	132	792	
EXTERIOR COLORS w/ZY1 PAINT	Color Code 1	PAINT SCHEME	INTERIOR & EXTERIOR COMBINATIONS SHOWN ARE THE ONLY COMBINATIONS AVAILABLE			
AUTUMNWOOD, LT (Met)	55U	ZY1	x			
BLACK, ONYX	41U	ZY1	x		x	x
BLUE, ATLANTIC (Met)	30U	ZY1		x	x	
BLUE, INDIGO (Met)	39U	ZY1	x	x	x	
GREEN, EMERALD (Met)	43U	ZY1	x		x	
QUICKSILVER (Met)	96U	ZY1		x	x	x
RED, CHERRY (Met)	77U	ZY1	x		x	x
CHERRY ICE (Met)	59U	ZY1	x		x	x
RED, VICTORY	74U	ZY1	x		x	x
WHITE, SUMMIT	50U	ZY1	x	x	x	x

* Leather on Seating Surface Only

INTERIOR AND EXTERIOR COLOR AVAILABILITY CHART ZY2 PAINT Reqs LS/LT Decor (N/A BYP Sport Package)

EXTERIOR COLORS w/ZY2 PAINT	Color Code 1	**Color Code 2	PAINT SCHEME	INTERIOR & EXTERIOR COMBINATIONS SHOWN ARE THE ONLY COMBINATIONS AVAILABLE			
BLACK, ONYX/Autumnwood, Lt (Met)	41U	55L	ZY2	x			
BLACK, ONYX/Quicksilver (Met)	41U	96L	ZY2			x	x
BLUE, ATLANTIC (Met)/Blue Indigo (Met)	30U	39L	ZY2		x	x	
BLUE, ATLANTIC (Met)/Quicksilver (Met)	30U	96L	ZY2		x	x	
BLUE, INDIGO (Met)/Autumn, Lt (Met)	39U	55L	ZY2	x	x		
BLUE, INDIGO (Met)/Blue, Atlantic (Met)	39U	30L	ZY2		x	x	
BLUE, INDIGO (Met)/Quicksilver (Met)	39U	96L	ZY2		x	x	
GREEN, EMERALD (Met)/Autumn, Lt (Met)	43U	55L	ZY2	x			
GREEN, EMERALD (Met)/Quicksilver (Met)	43U	96L	ZY2			x	
QUICKSILVER (Met)/Black, Onyx	96U	41L	ZY2			x	x
QUICKSILVER (Met)/Blue, Atlantic (Met)	96U	30L	ZY2		x	x	
QUICKSILVER (Met)/Blue, Indigo (Met)	96U	39L	ZY2		x	x	
QUICKSILVER (Met)/Red, Cherry (Met)	96U	77L	ZY2			x	x
RED, CHERRY (Met)/Autumn, Lt (Met)	77U	55L	ZY2	x			x
RED, CHERRY (Met)/Quicksilver (Met)	77U	96L	ZY2			x	x
RED, CHERRY (Met)/Cherry Ice	77U	59L	ZY2	x		x	x
CHERRY ICE (Met)/Autumn, Lt (Met)	59U	55L	ZY2	x			x
CHERRY ICE (Met)/Quicksilver (Met)	59U	96L	ZY2			x	x
CHERRY ICE (Met)/Red, Cherry (Met)	59U	77L	ZY2	x		x	
RED, VICTORY/Black, Onyx	74U	41L	ZY2	x		x	x
RED, VICTORY/Quicksilver (Met)	74U	96L	ZY2			x	x
WHITE, SUMMIT/Autumn, Lt (Met)	50U	55L	ZY2	x			
WHITE, SUMMIT/Blue, Indigo (Met)	50U	39L	ZY2		x		
WHITE, SUMMIT/Red, Cherry	50U	77L	ZY2				x

** Color Code 2 Must be ordered as a (+) Plus option

REVISED: 1-29-96

1996 ORDER GUIDE

TAHOE
Page 17

Prices Shown Are Manufacturer's Suggested Retail Prices (MSRP) At The Time Of Publication. These Prices Are To Be Used Only As An Aid To Inventory Management Since MSRP Figures Change Periodically. The Vehicle Price Schedule Is The Official Pricing Documentation Of Chevrolet Motor Division And Should Be Used In Discussing Vehicle Prices With Potential Buyers. The Model Prices Shown In The Order Guide Include The Destination Freight Charges.

NOTES

TAHOE

1996 ORDER GUIDE

REVISED: 1-29-96

Page 18

Prices Shown Are Manufacturer's Suggested Retail Prices (MSRP) At The Time Of Publication. These Prices Are To Be Used Only As An Aid To Inventory Management Since MSRP Figures Change Periodically. The Vehicle Price Schedule Is The Official Pricing Documentation Of Chevrolet Motor Division And Should Be Used In Discussing Vehicle Prices With Potential Buyers. The Model Prices Shown In The Order Guide Include The Destination Freight Charges.